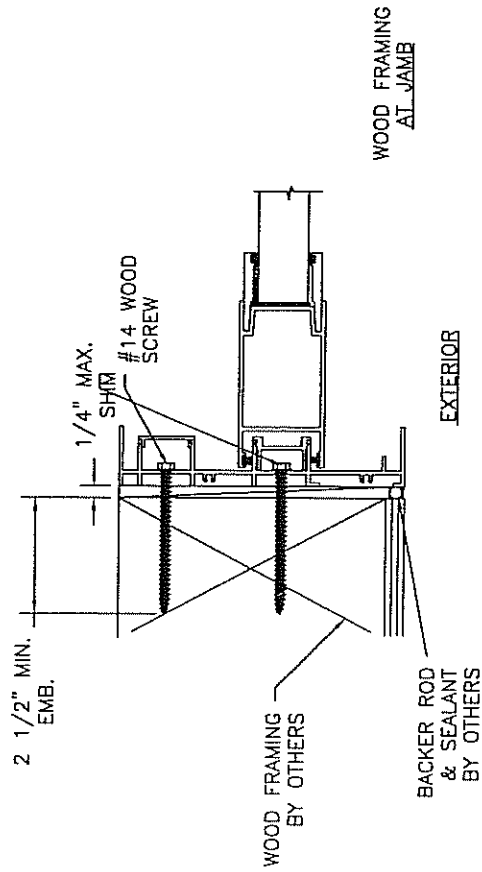
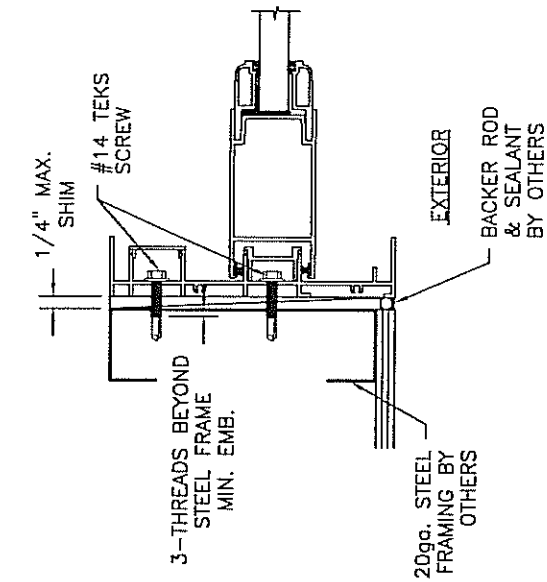
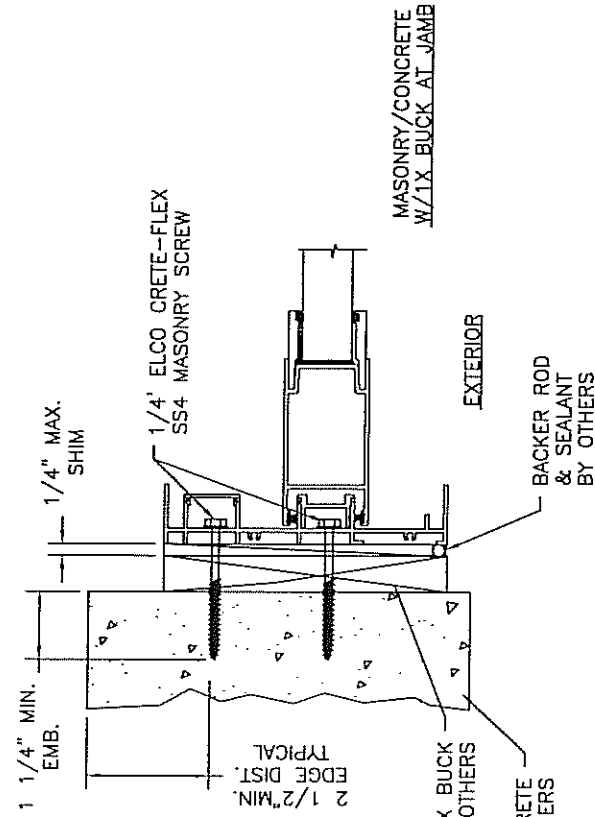
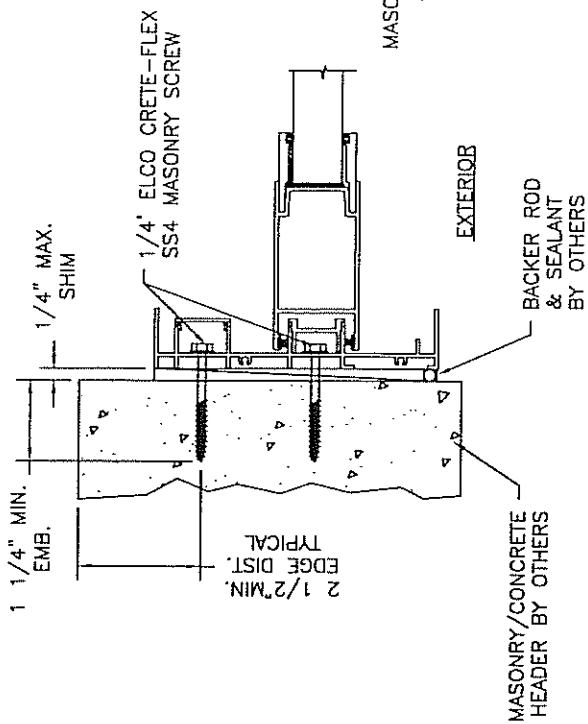


**WinDoor**  
**INCORPORATED**  
 7500 AMSTERDAM DRIVE  
 ORLANDO, FL 32832  
 Phone: 407.481.8400  
 Fax: 407.481.0505  
 www.windoorinc.com

Dwg Title:  
 8000 SERIES - 2T HORIZONTAL CROSS SECTIONS

SIZE	Drn By:	DWG NO.	REV
-	TJH	05-10-1194	-

SCALE N.T.S. DATE: 9/2/05 SHEET 1 of 1



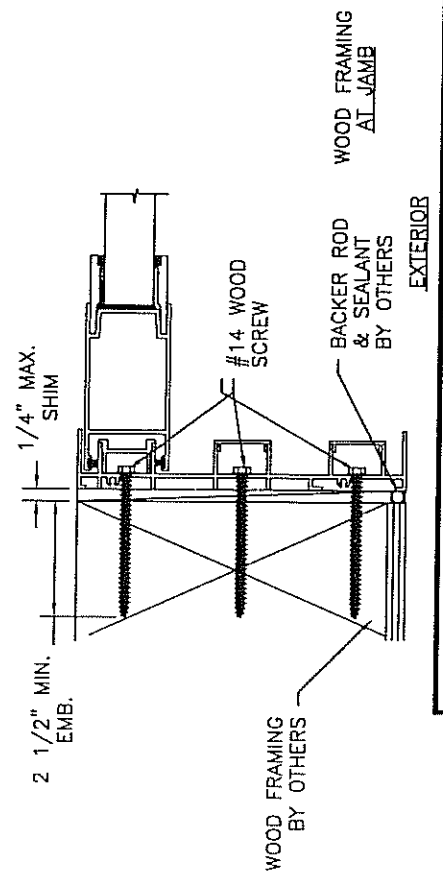
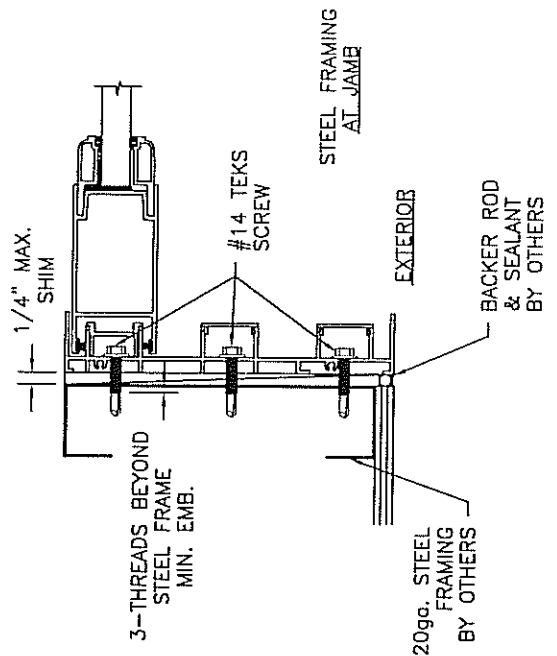
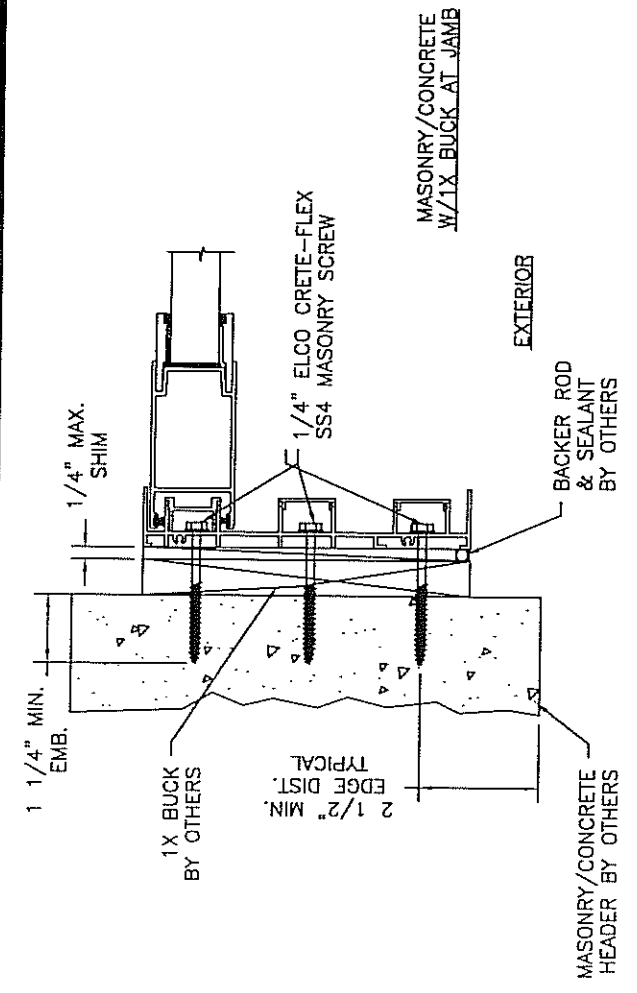
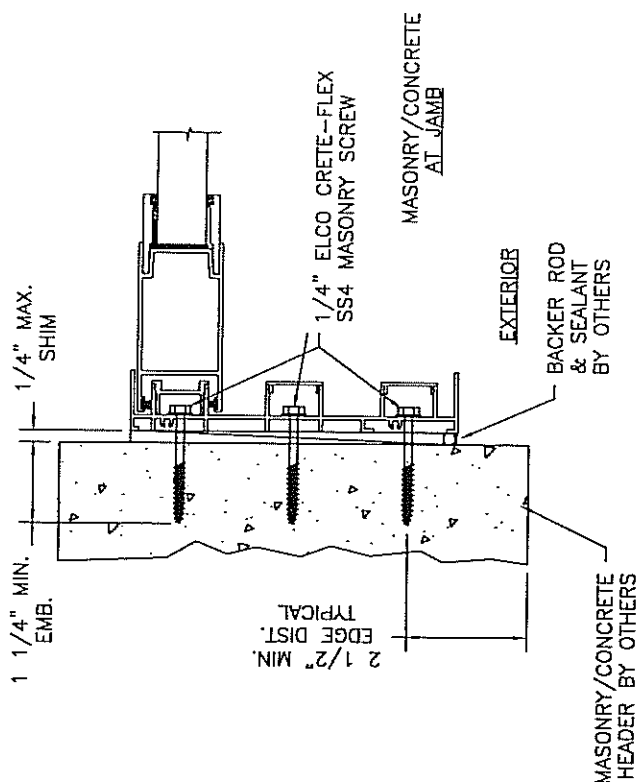
**WinDoor**  
INCORPORATED

7500 AMSTERDAM DRIVE  
ORLANDO, FL 32832  
Phone: 407.481.8400  
Fax: 407.481.0505  
www.windowinc.com

Dwg Title:  
8000 SERIES - 2T WS HORIZONTAL CROSS SECTIONS

SIZE	Drn By:	DWG NO.	REV
-	TJH	05-10-1196	-

SCALE N.T.S. DATE: 9/2/05 SHEET 1 of 1



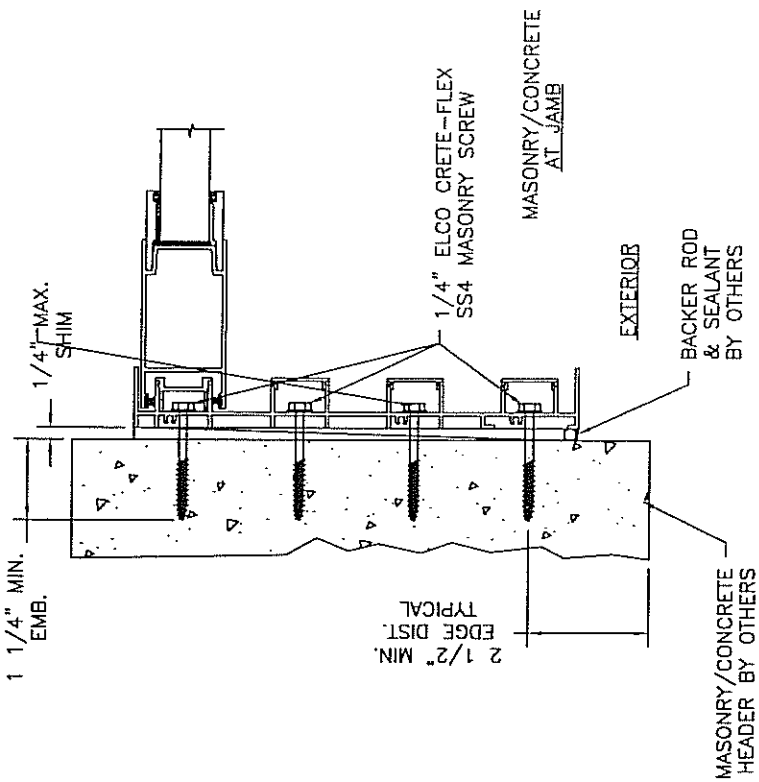
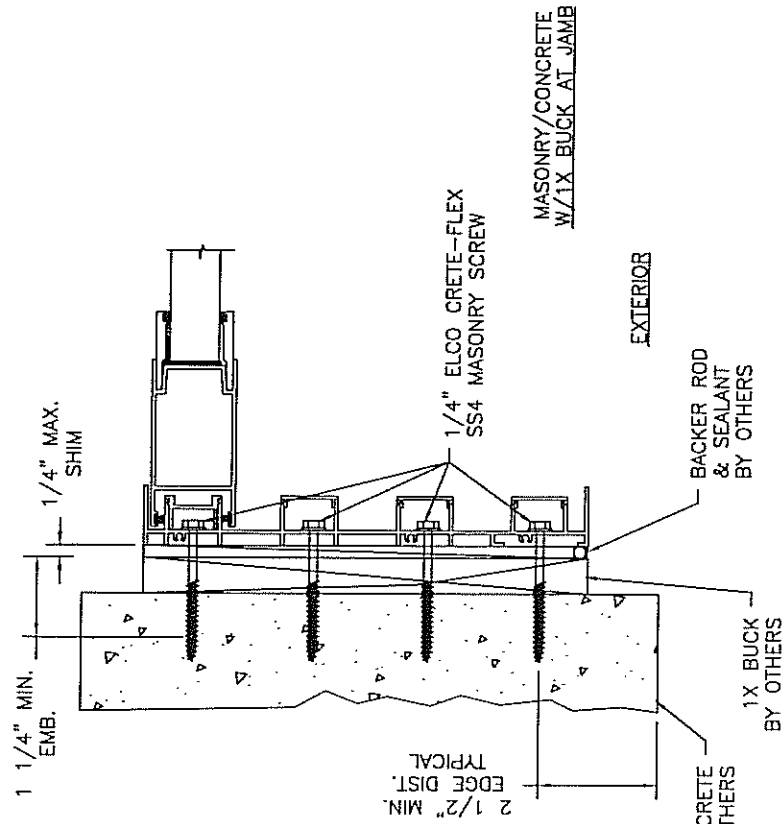
**WinDoor**  
INCORPORATED

7500 AMSTERDAM DRIVE  
ORLANDO, FL 32832  
Phone: 407-481.8400  
Fax: 407-481.0505  
www.winDoorinc.com

Dwg Title:  
8000 SERIES - 3T HORIZONTAL CROSS SECTIONS

SIZE	Drn By:	DWG NO.	REV
-	TJH	05-10-1198	-

SCALE N.T.S. DATE: 9/2/05 SHEET 1 of 1



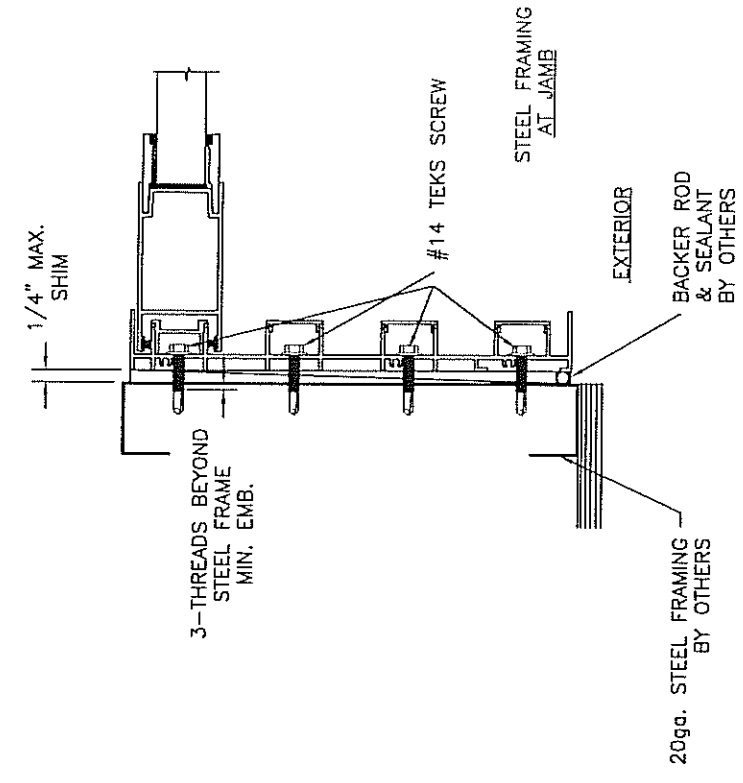
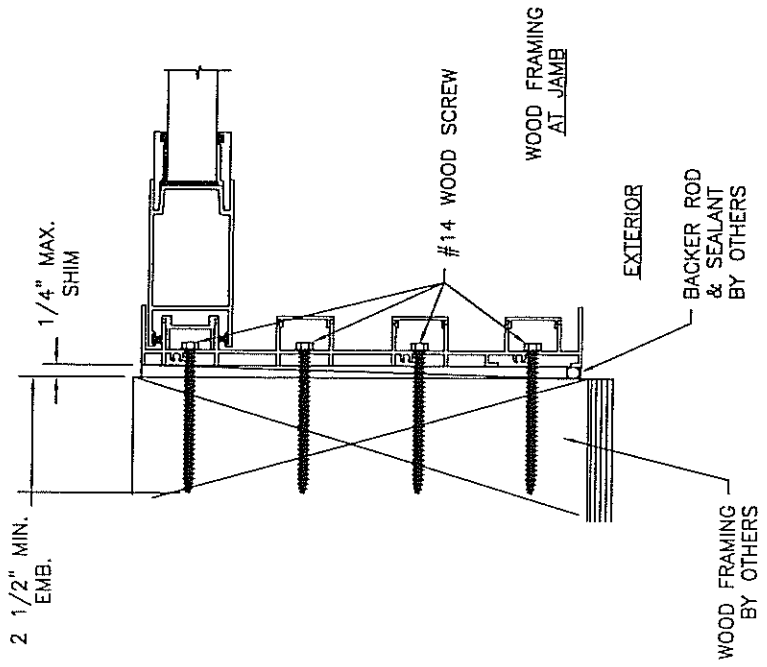
**WinDoor**  
 INCORPORATED

7500 AMSTERDAM DRIVE  
 ORLANDO, FL 32832  
 Phone: 407.481.8400  
 Fax: 407.481.0505  
 www.windoorinc.com

Dwg Title: 8000 SERIES - 4T HORIZONTAL CROSS SECTIONS

SIZE	Drn By:	DWG NO.	REV
-	TJH	05-10-1200	-

SCALE N.T.S. DATE: 9/19/05 SHEET 1 of 2



**WinDoor**  
INCORPORATED

7500 AMSTERDAM DRIVE  
ORLANDO, FL 32832

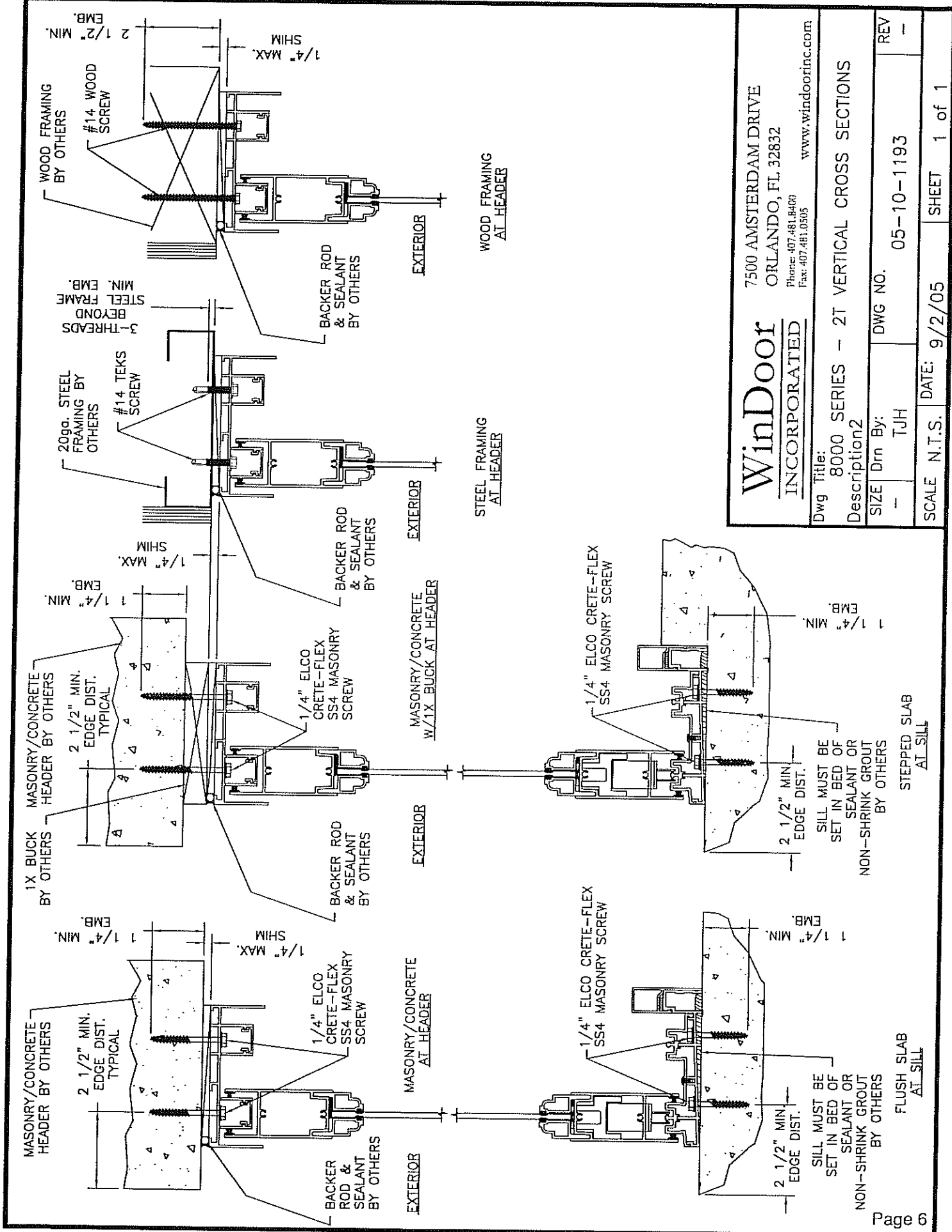
Phone: 407.481.8400  
Fax: 407.481.0505  
www.windoorinc.com

Dwg Title:

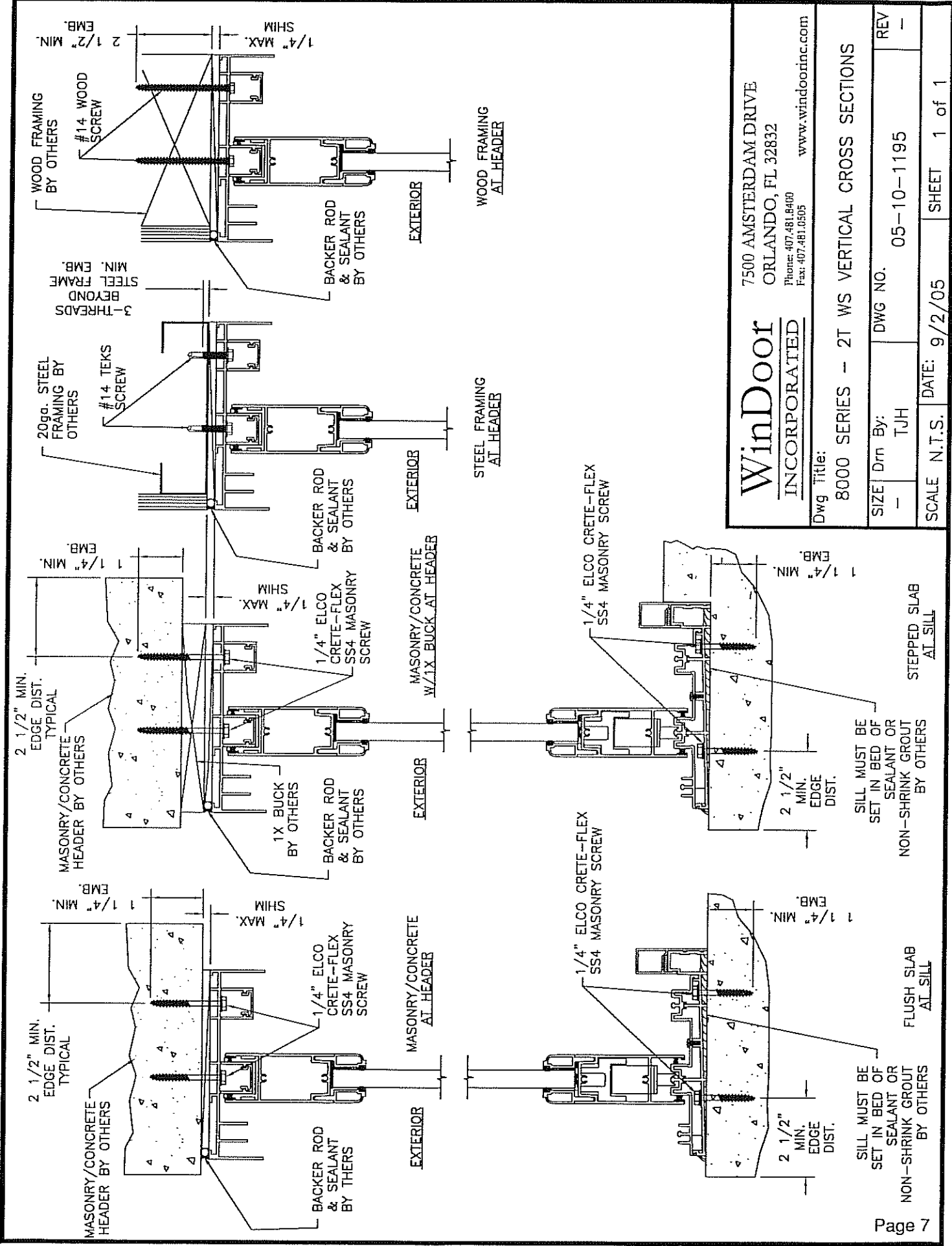
8000 SERIES -- 4T HORIZONTAL CROSS SECTIONS

SIZE	Drn By:	DWG NO.	REV
-	TJH	05-10-1200	-

SCALE	N.T.S.	DATE:	9/19/05	SHEET	2 of 2
-------	--------	-------	---------	-------	--------



<b>WinDoor</b> INCORPORATED		7500 AMSTERDAM DRIVE ORLANDO, FL 32832 Phone: 407.481.8400 Fax: 407.481.0505 www.windoorinc.com	
Dwg Title: 8000 SERIES - 2T VERTICAL CROSS SECTIONS Description2			
SIZE	Drn By:	DWG NO.	REV
-	TJH	05-10-1193	-
SCALE	N.T.S.	DATE:	9/2/05
		SHEET	1 of 1



**WinDoor**  
**INCORPORATED**

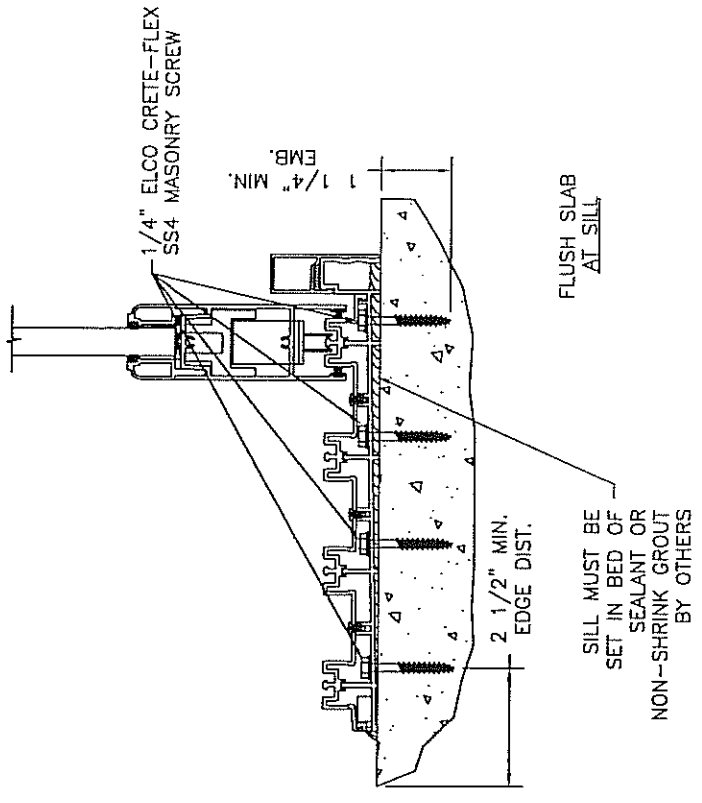
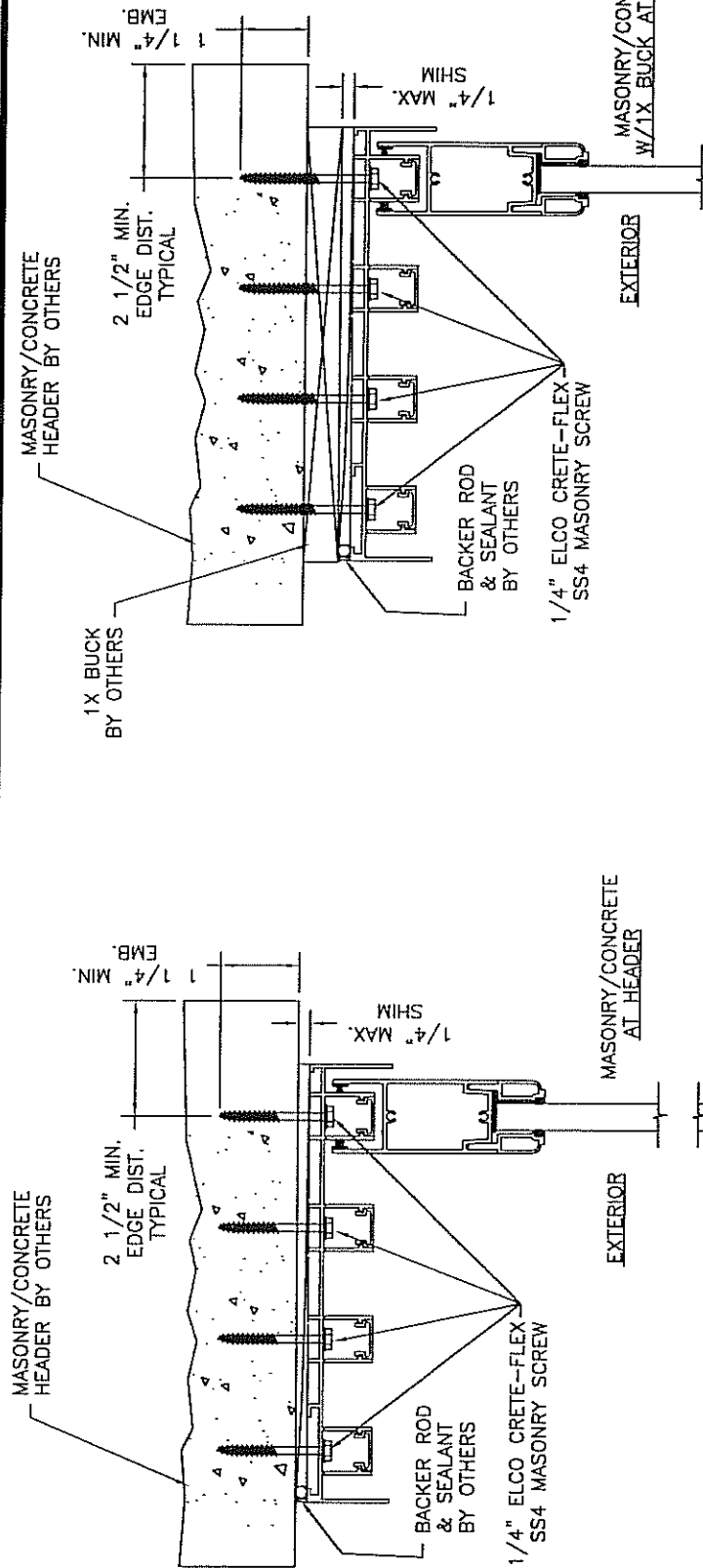
7500 AMSTERDAM DRIVE  
 ORLANDO, FL 32832  
 Phone: 407.481.8400  
 Fax: 407.481.0505  
 www.windoorinc.com

Dwg Title: 8000 SERIES - 2T WS VERTICAL CROSS SECTIONS

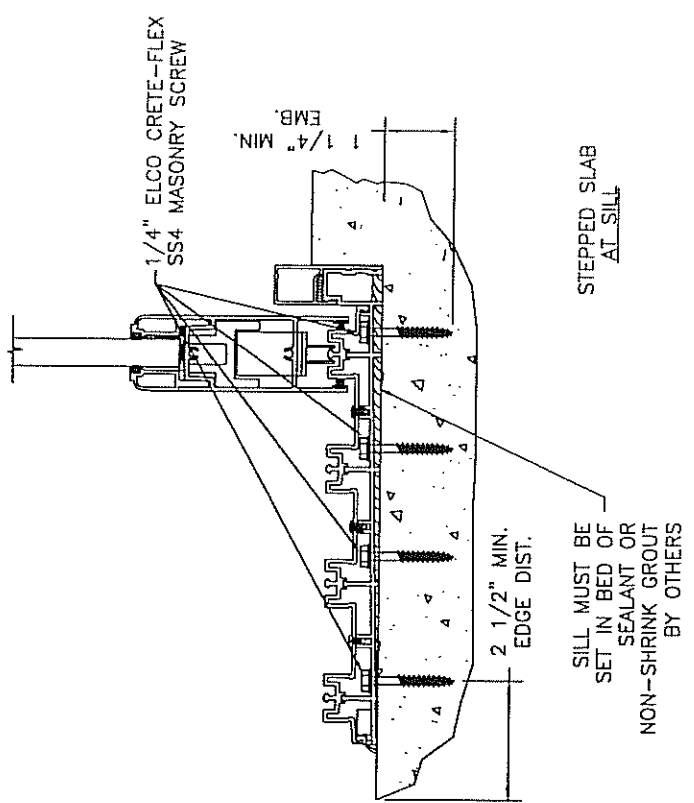
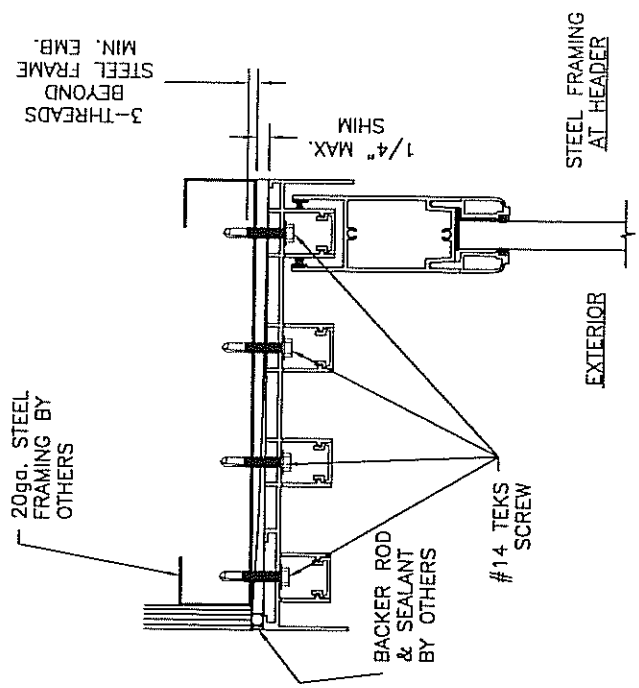
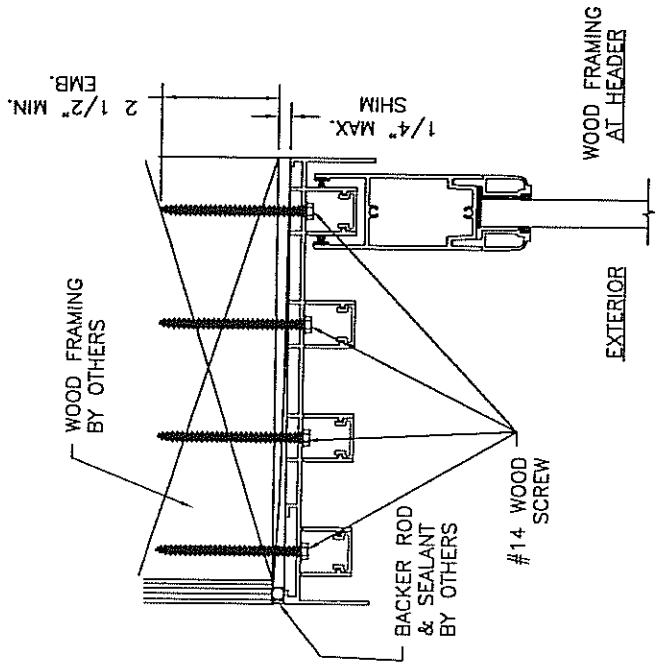
SIZE	Drn By:	DWG NO.	REV
-	TJH	05-10-1195	-

SCALE N.T.S. DATE: 9/2/05 SHEET 1 of 1





<p><b>WinDoor</b> INCORPORATED</p> <p>7500 AMSTERDAM DRIVE ORLANDO, FL 32832 Phone: 407.481.8400 Fax: 407.481.0505 www.windowinc.com</p>	
<p>Dwg Title: 8000 SERIES - 4T VERTICAL CROSS SECTIONS Description2</p>	
<p>SIZE Drn By: - TJH</p>	<p>DWG NO. 05-10-1199</p>
<p>SCALE N.T.S.</p>	<p>DATE: 9/19/05</p>
<p>SHEET 1 of 2</p>	<p>REV -</p>



**WinDoor**  
 INCORPORATED

7500 AMSTERDAM DRIVE  
 ORLANDO, FL 32832  
 Phone: 407.481.8400  
 Fax: 407.481.0505  
 www.windoorinc.com

Dwg Title:  
 8000 SERIES - 4T VERTICAL CROSS SECTIONS  
 Description2

SIZE	Drn By:	DWG NO.	REV
-	TJH	05-10-1199	-

SCALE N.T.S. DATE: 9/19/05 SHEET 2 OF 2