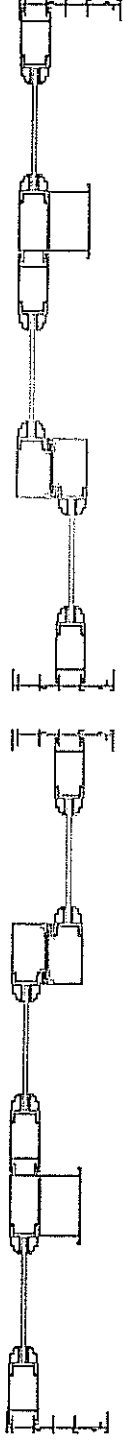


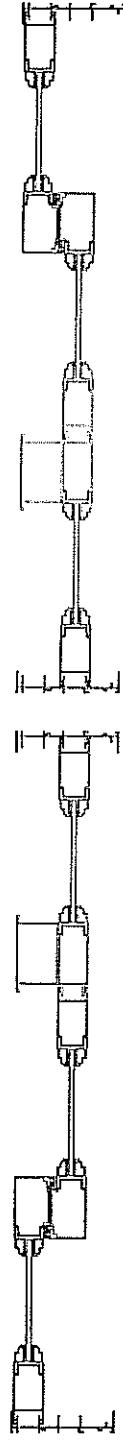
XX (AI, AOR)
XO (AI, BO)

XX REVERSE (AO, AIR)
XO REVERSE (BOR, AIR)



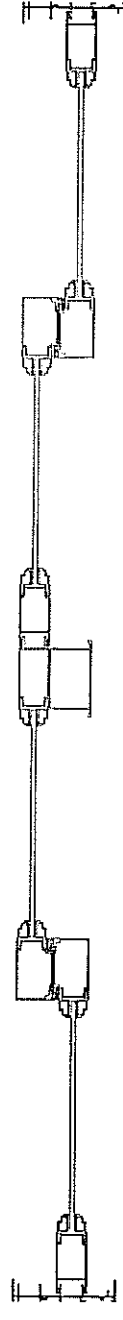
OXO (DI, AI, BO)

OXO REVERSE (BOR, AIR, DIR)



XOO (AI, BO, DOR)

XOO REVERSE (DO, BOR, AIR)

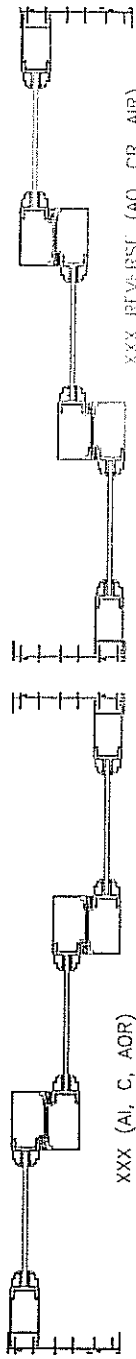


OXXX (BOR, EI, AI, BO)
XXXX (AO, EI, AI, AOR)

EXTERIOR

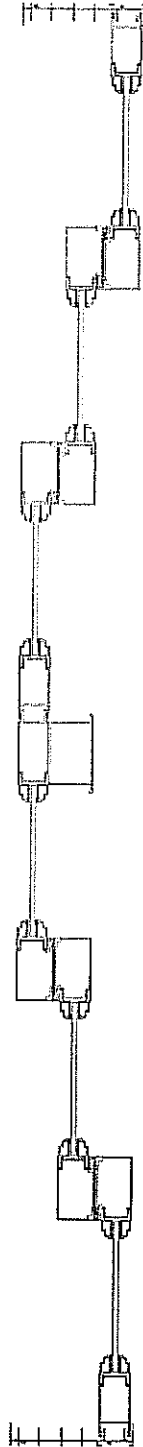
NOTE: ALL DOORS ARE VIEWED FROM EXTERIOR

<h1>WinDoor</h1> <h2>INCORPORATED</h2>		7500 AMSTERDAM DRIVE ORLANDO, FL 32832 Phone: 407.481.8400 Fax: 407.481.0505 www.windoorinc.com	
		Dwg Title: 8000 SERIES -- BYPASS DOOR CONFIGURATIONS ALL 2-TRACK SYSTEMS	
SIZE: —	Dwn By: TJH	DWG NO. 05-07-1019	REV —
SCALE N.T.S.	DATE: 7/23/05	SHEET 1 of 1	

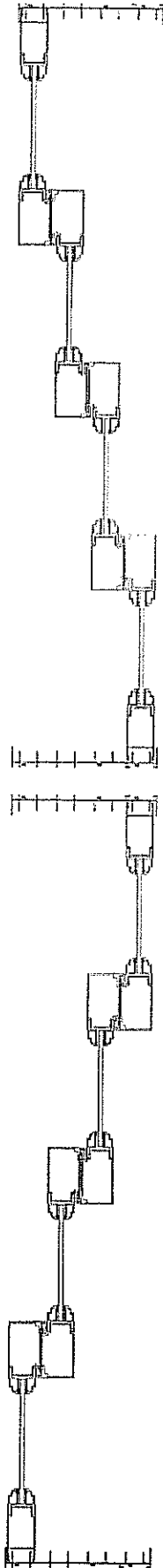


XXX (AI, C, AOR)
XXO (AI, C, BO)

XXX REVERSE (AO, CR, AIR)
OXX REVERSE (BOR, CR, AIR)

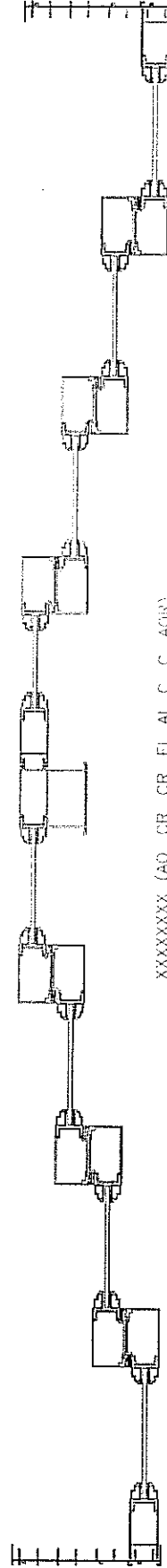


XXXXXX (AO, CR, EI, AI, C, AOR)
OXXXXO (BOR, CR, EI, AI, C, BO)



XXXX (AI, C, C, AOR)
XXXX (AI, C, C, BO)

XXXX REVERSE (AO, CR, CR, AIR)
OXXXX REVERSE (BOR, CR, CR, AIR)



XXXXXXXX (AO, CR, CR, EI, AI, C, C, AOR)
OXXXXXXXXG (BOR, CR, CR, EI, AI, C, C, BO)

WinDoor
INCORPORATED

7500 AMSTERDAM DRIVE
ORLANDO, FL 32832

Phone: 407.481.8400
Fax: 407.481.0505

www.windoorinc.com

Dwg Title:

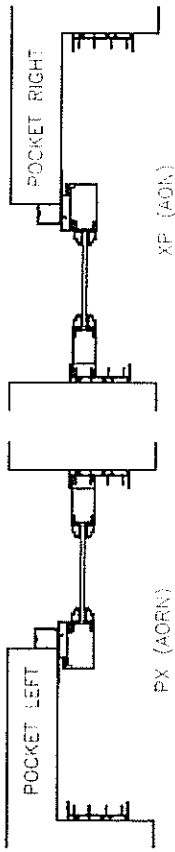
8000 SERIES - BYPASS DOOR CONFIGURATIONS
3 & 4 - TRACK SYSTEMS

SIZE	Drn	By:	DWG NO.	REV
-	-	TJH	05-07-1020	-

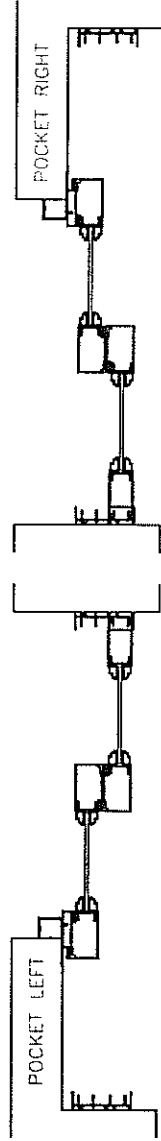
SCALE	N.T.S.	DATE:	7/23/05	SHEET	1 of 1
-------	--------	-------	---------	-------	--------

EXTERIOR

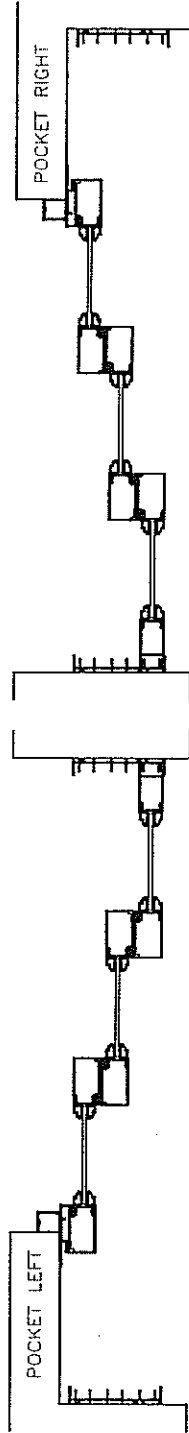
NOTE: ALL DOORS ARE VIEWED FROM EXTERIOR



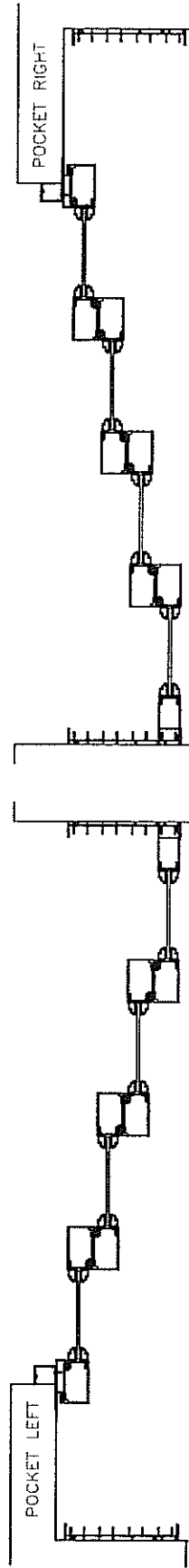
PX (AORN)



PXX (CNI, AOR)



PXXX (CNI, C, AOR)



PXXXX (CNI, C, C, AOR)

XXXXP (AO, CR, CNIR)

WinDoor
INCORPORATED

7500 AMSTERDAM DRIVE
ORLANDO, FL 32832
Phone: 407.481.8400
Fax: 407.481.0505
www.windowinc.com

EXTERIOR

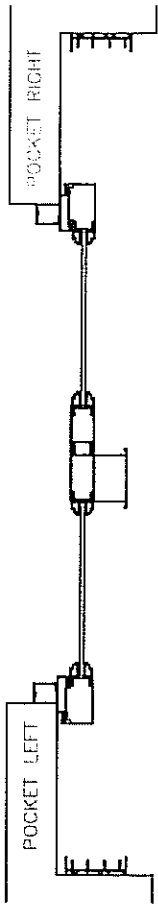
Dwg Title:

8000 SERIES - POCKET DOOR CONFIGURATIONS
2, 3 & 4-TRACK OUTSIDE POCKET SYSTEMS

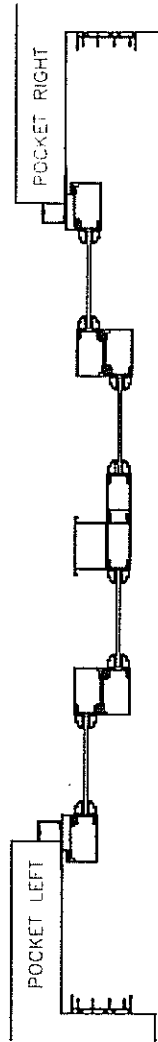
SIZE	Drn By:	DWG NO.	REV
-	TJH	05-07-1021	-

SCALE N.T.S. DATE: 7/23/05 SHEET 1 of 1

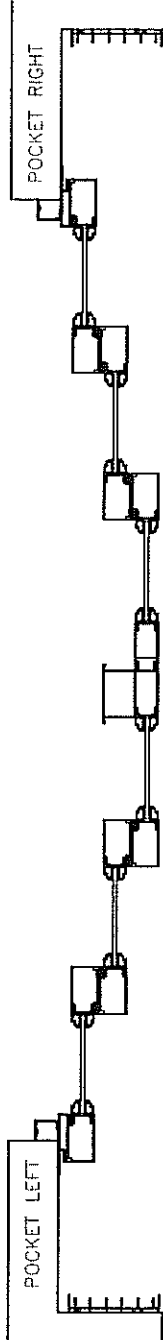
NOTE: ALL DOORS ARE VIEWED FROM EXTERIOR



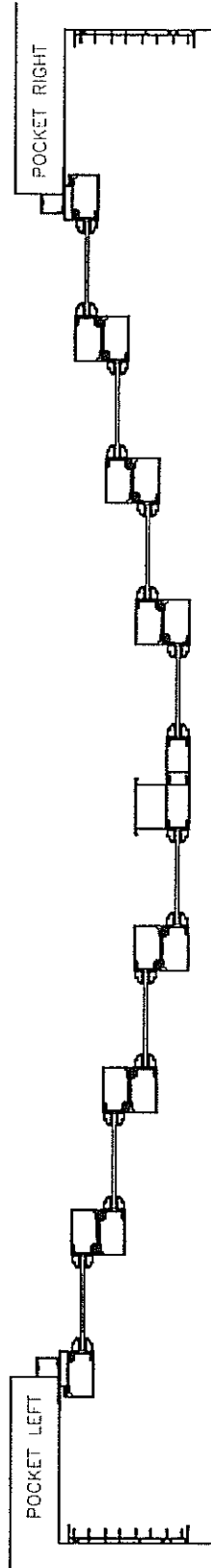
PXXP (EON, AON)



PXXXXP (CNI, EOR, AO, CNIR)



PXXXXXP (CNI, C, EOR, AO, CR, CNIR)



PXXXXXXXP (CNI, C, C, EOR, AO, CR, CNIR)

NOTE: ALL DOORS ARE VIEWED FROM EXTERIOR

EXTERIOR

7500 AMSTERDAM DRIVE
ORLANDO, FL 32832

WinDoor
INCORPORATED

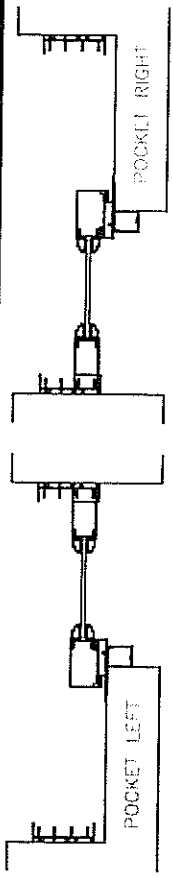
Phone: 407.481.8400
Fax: 407.481.0505
www.windoorinc.com

Dwg Title:

8000 SERIES - POCKET DOOR CONFIGURATIONS
2, 3 & 4-TRACK DOUBLE OUTSIDE POCKET SYSTEMS

SIZE	Drn	By:	DWG NO.	REV
-	-	TJH	05-07-1022	-

SCALE N.T.S. DATE: 7/23/05 SHEET 1 of 1

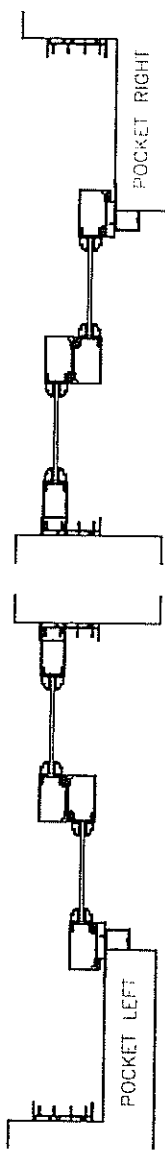


PX (AIR)

POCKET LEFT

POCKET RIGHT

XP (AI)

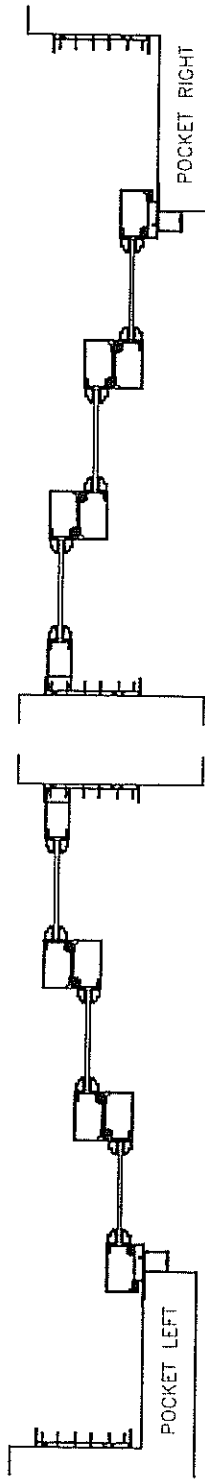


PXX (COR, AIR)

POCKET LEFT

POCKET RIGHT

XXP (AI, CO)

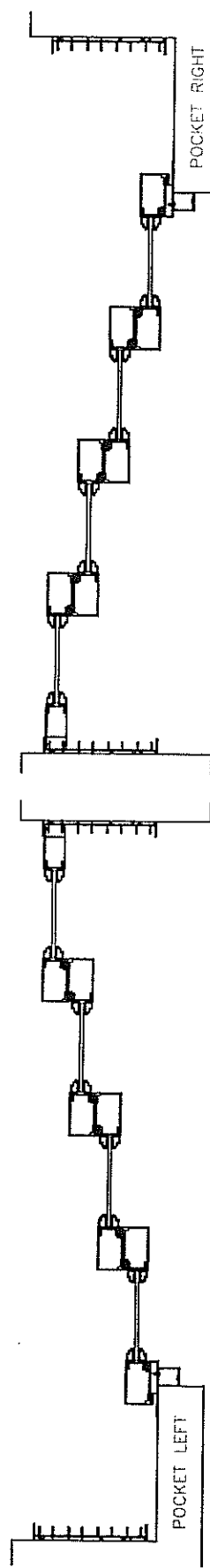


PXXX (COR, CR, AIR)

POCKET LEFT

POCKET RIGHT

XXXX (AI, C, CO)



PXXXX (COR, CR, CR, AIR)

POCKET LEFT

POCKET RIGHT

XXXXXP (AI, C, C, CO)

EXTERIOR

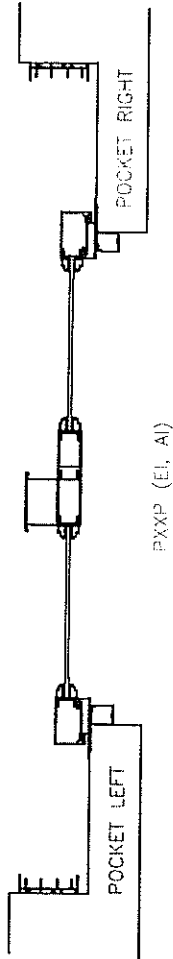
NOTE: ALL DOORS ARE VIEWED FROM EXTERIOR

WinDoor
 INCORPORATED
 7500 AMSTERDAM DRIVE
 ORLANDO, FL 32832
 Phone: 407.481.8400
 Fax: 407.481.0505
 www.windoorinc.com

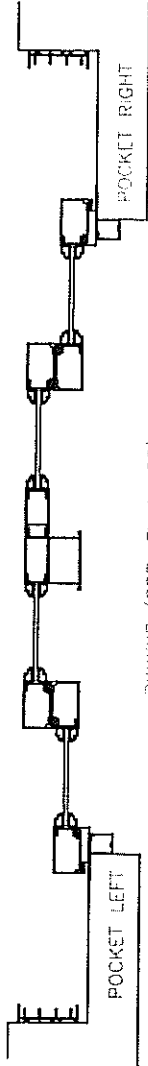
Dwg Title: 8000 SERIES - POCKET DOOR CONFIGURATIONS
 2, 3 & 4-TRACK INSIDE POCKET SYSTEMS

SIZE	Drn	By:	DWG NO.	REV
-	-	TJH	05-07-1023	-

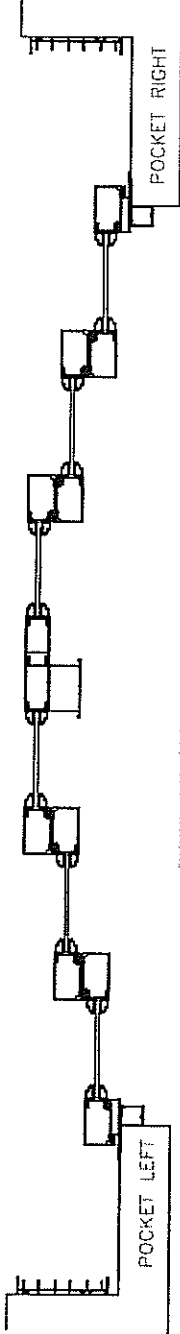
SCALE N.T.S. DATE: 7/23/05 SHEET 1 of 1



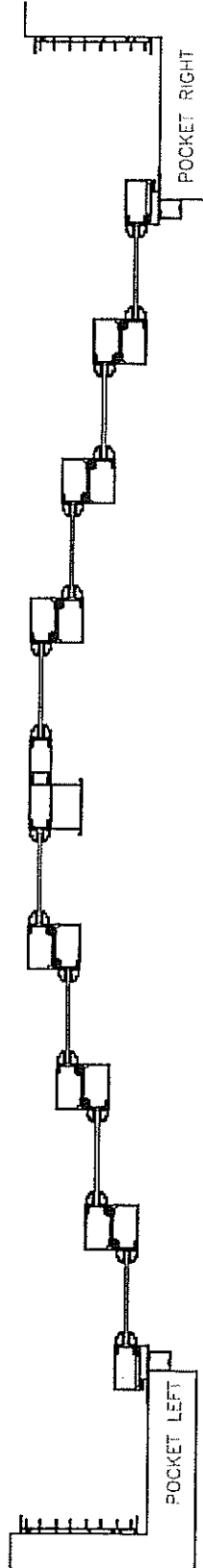
PXXP (EI, AI)



PXXXXP (COR, EI, AI, CO)



PXXXXXP (COR, CR, EI, AI, C, CO)



PXXXXXXXXXP (COR, CR, CR, EI, AI, C, C, CO)

EXTERIOR

NOTE: ALL DOORS ARE VIEWED FROM EXTERIOR

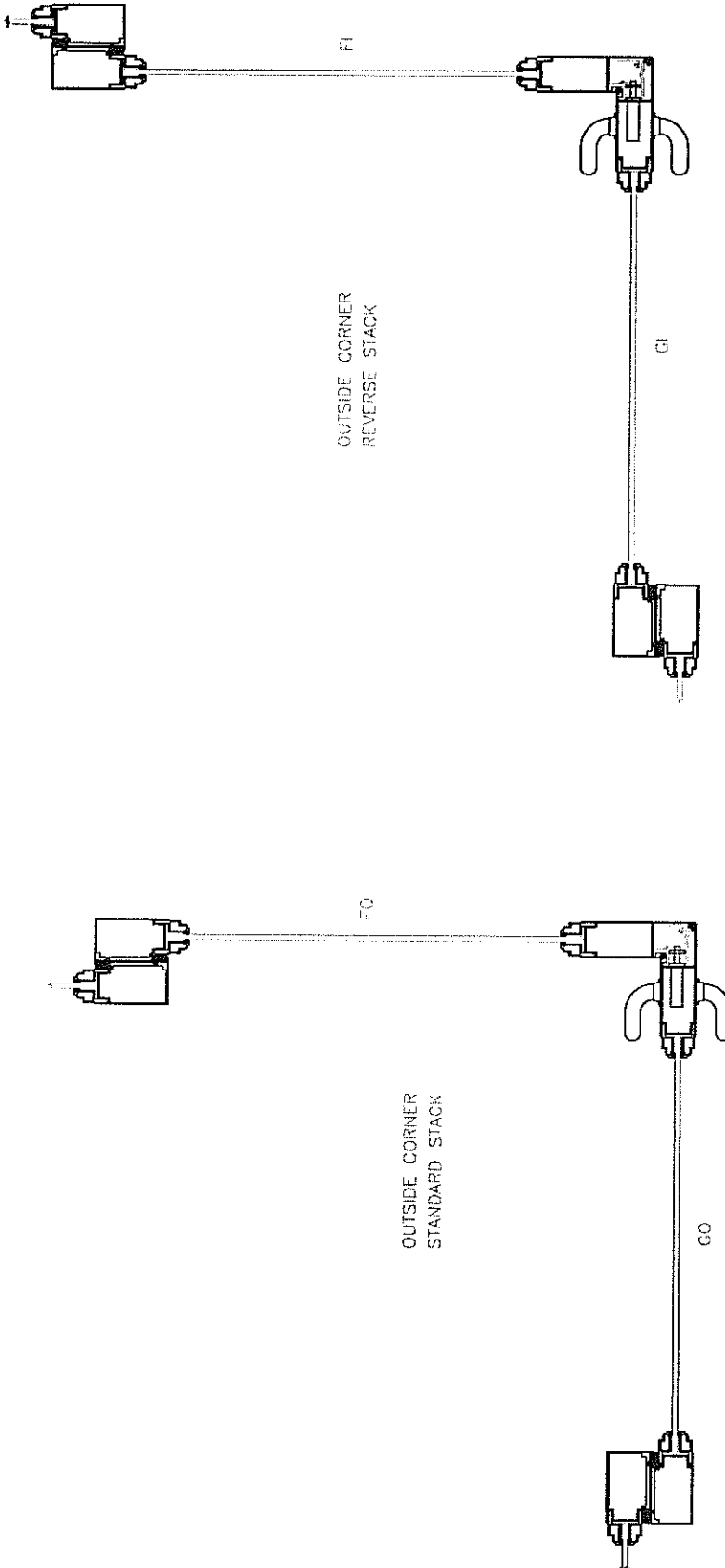
WinDoor
INCORPORATED

7500 AMSTERDAM DRIVE
ORLANDO, FL 32832
Phone: 407.481.8400
Fax: 407.481.0505
www.windowinc.com

Dwg Title:
8000 SERIES - POCKET DOOR CONFIGURATIONS
2, 3 & 4-TRACK DOUBLE INSIDE POCKET SYSTEMS

SIZE	Drn By:	DWG NO.	REV
-	TJH	05-07-1024	-

SCALE N.T.S. DATE: 7/23/05 SHEET 1 of 1



OUTSIDE CORNER
REVERSE STACK

OUTSIDE CORNER
STANDARD STACK

EXTERIOR

NOTE: ALL DOORS ARE VIEWED FROM EXTERIOR

WinDoor
INCORPORATED

7500 AMSTERDAM DRIVE
ORLANDO, FL 32832

Phone: 407.481.8400
Fax: 407.481.0505

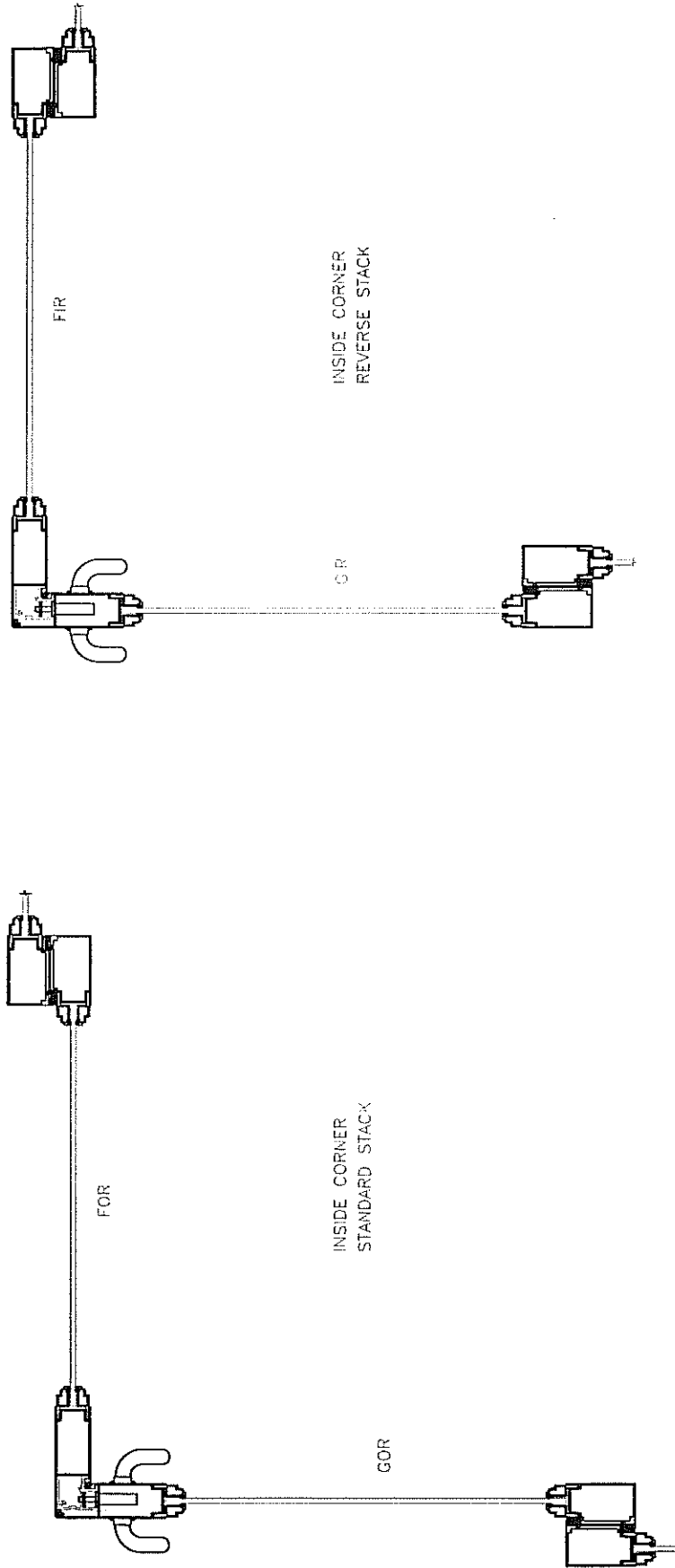
www.windoorinc.com

Dwg Title:

8000 SERIES - CORNER DOOR CONFIGURATIONS
90° OUTSIDE CORNER SYSTEM

SIZE	Dwn	By:	DWG NO.	REV
-		TJH	05-07-1025	-

SCALE	N.T.S.	DATE:	7/23/05	SHEET	1 of 1
-------	--------	-------	---------	-------	--------

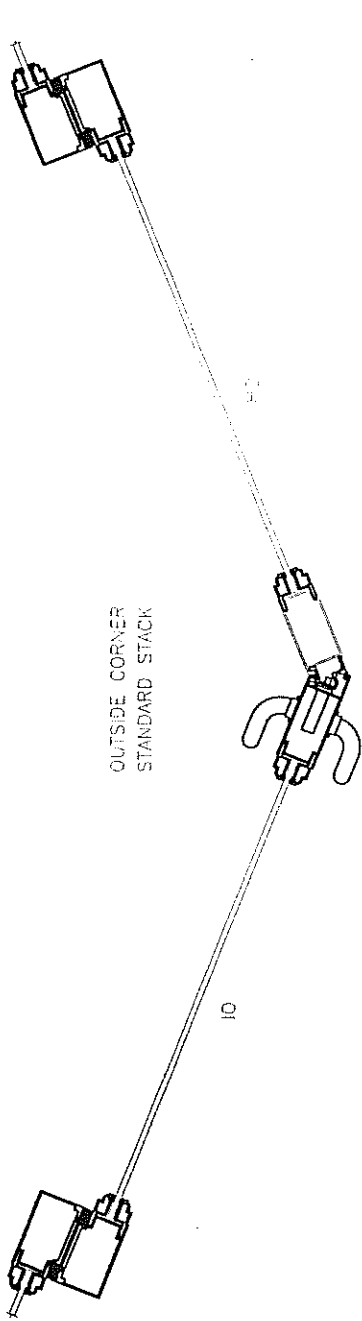


EXTERIOR

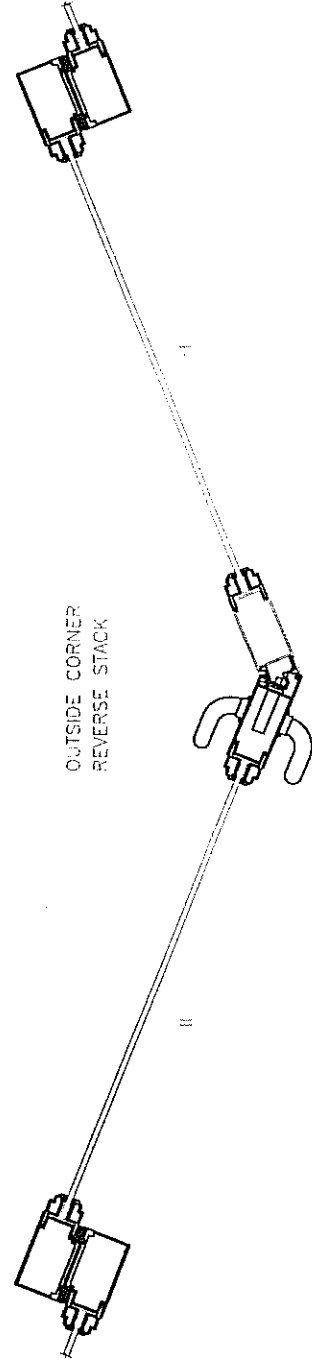
WinDoor
 INCORPORATED
 7500 AMSTERDAM DRIVE
 ORLANDO, FL 32832
 Phone: 407.481.6400
 Fax: 407.481.0505
 www.windoorinc.com

Dwg Title:		8000 SERIES - CORNER DOOR CONFIGURATIONS	
SIZE		DWG NO.	REV
--	By: TJH	05-07-1026	-
SCALE	N.T.S.	DATE: 7/23/05	SHEET 1 of 1

NOTE: ALL DOORS ARE VIEWED FROM EXTERIOR



OUTSIDE CORNER
STANDARD STACK

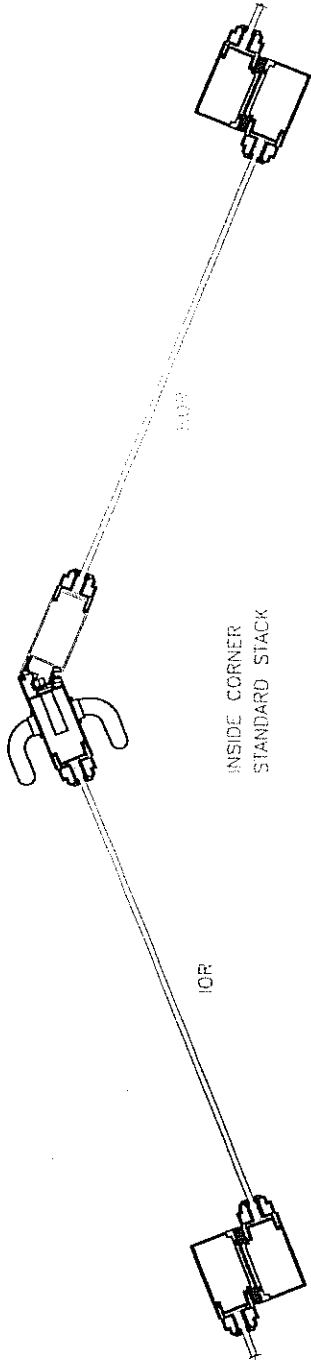


OUTSIDE CORNER
REVERSE STACK

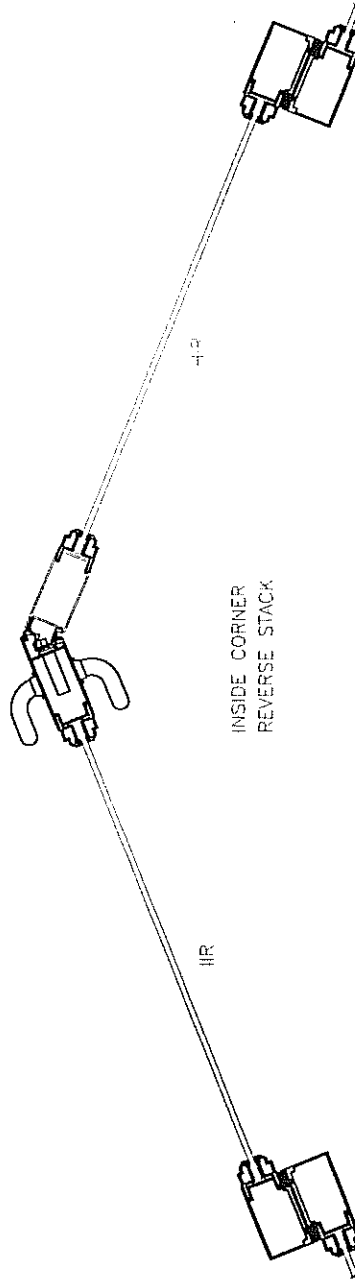
EXTERIOR

NOTE: ALL DOORS ARE VIEWED FROM EXTERIOR

WinDoor INCORPORATED		7500 AMSTERDAM DRIVE ORLANDO, FL 32832 Phone: 407.481.8400 Fax: 407.481.0505 www.windoorinc.com	
Dwg Title: 8000 SERIES - CORNER DOOR CONFIGURATIONS 135' OUTSIDE CORNER SYSTEM			
SIZE	Drn	By:	DWG NO.
-	-	TJH	05-07-1027
SCALE N.T.S.			REV
DATE: 7/27/05			-
SHEET			1 of 1



INSIDE CORNER
STANDARD STACK



INSIDE CORNER
REVERSE STACK

EXTERIOR

NOTE: ALL DOORS ARE VIEWED FROM EXTERIOR

WinDoor
INCORPORATED

7500 AMSTERDAM DRIVE
ORLANDO, FL 32832

Phone: 407.481.8400
Fax: 407.481.0505

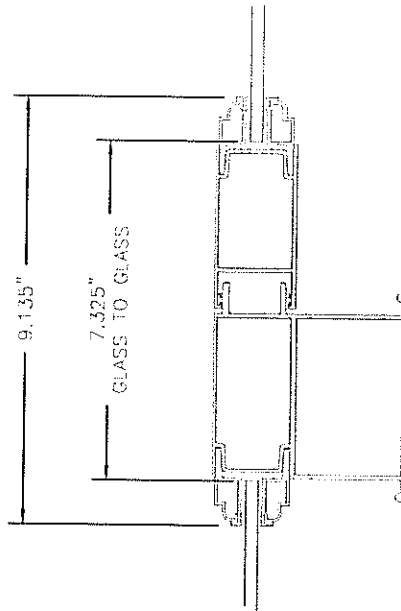
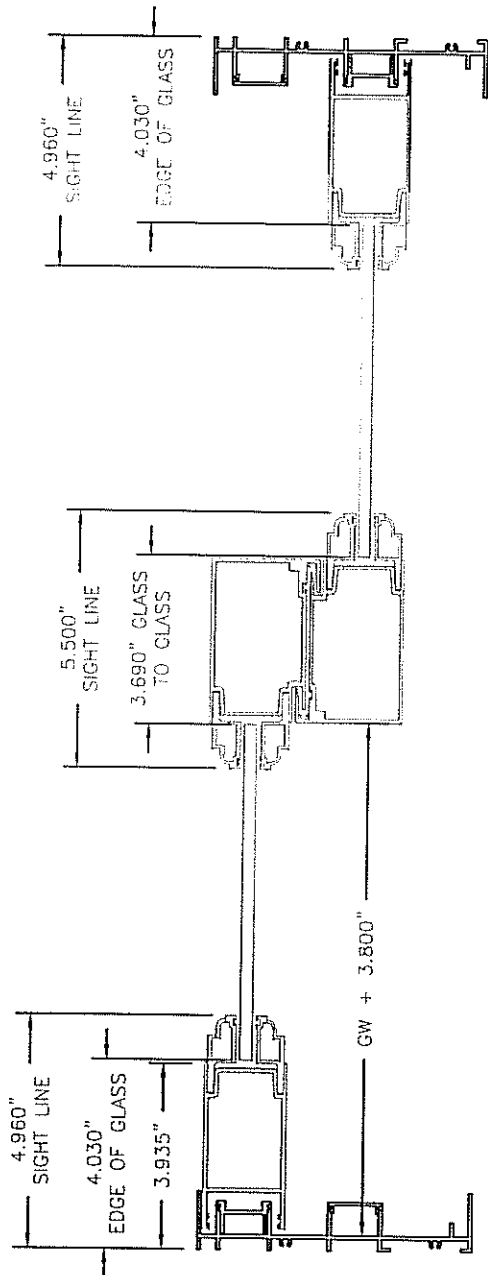
www.windowinc.com

Dwg Title:

8000 SERIES - CORNER DOOR CONFIGURATIONS
135° INSIDE CORNER SYSTEM

SIZE	Drn	By:	DWG NO.	REV
-	-	TJH	05-07-1028	-

SCALE	N.T.S.	DATE:	7/27/05	SHEET	1 of 1
-------	--------	-------	---------	-------	--------



WinDoor
INCORPORATED

7500 AMSTERDAM DRIVE
ORLANDO, FL 32832

Phone: 407.481.8400
Fax: 407.481.0505

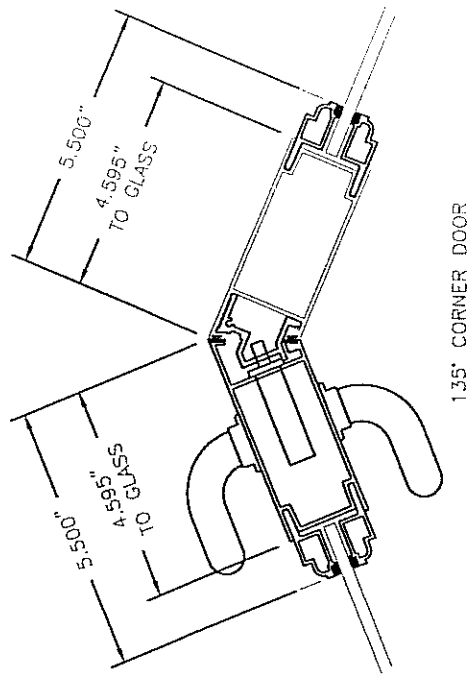
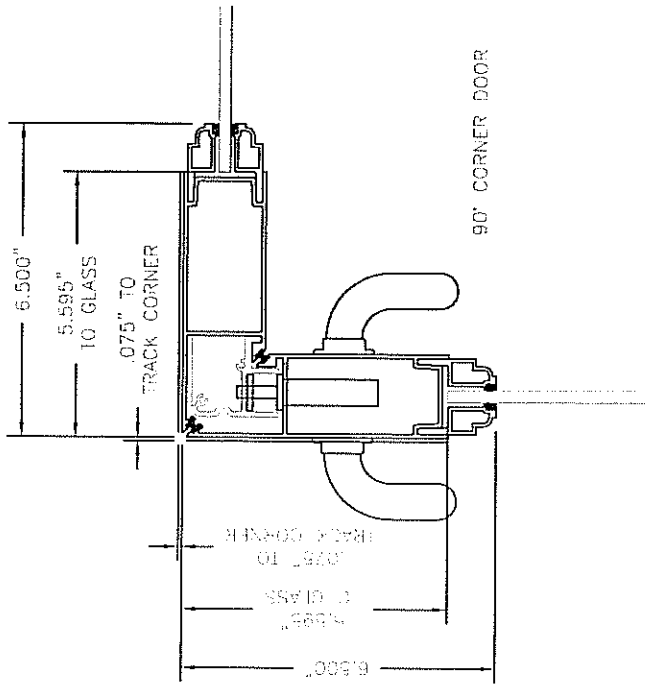
www.windoorinc.com

Dwg Title:

8000 SERIES -- SIGHTLINE DIMENSIONS
BYPASS SYSTEM

SIZE	Drn	By:	DWG NO.	REV
-	-	TJH	05-07-1029	-

SCALE N.T.S. DATE: 7/27/05 SHEET 1 of 1

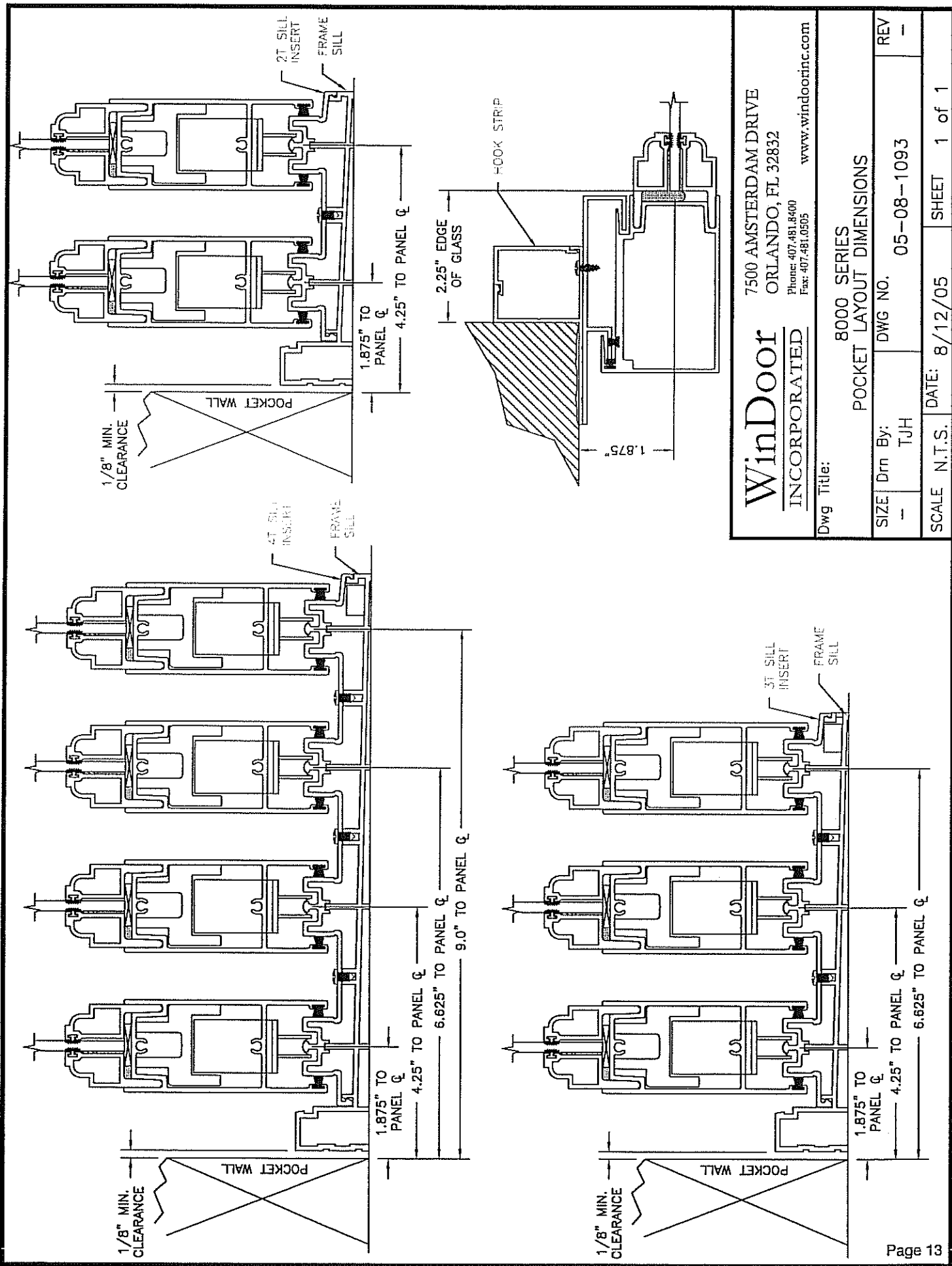


WinDoor
 INCORPORATED
 7500 AMSTERDAM DRIVE
 ORLANDO, FL 32832
 Phone: 407.481.8400
 Fax: 407.481.0505
 www.windowinc.com

Dwg Title: 8000 SERIES - SIGHTLINE DIMENSIONS
 135° AND 90° SYSTEMS

SIZE	Drn By:	DWG NO.	REV
--	TJH	05-07-1030	--

SCALE N.T.S. DATE: 7/27/05 SHEET 1 of 1



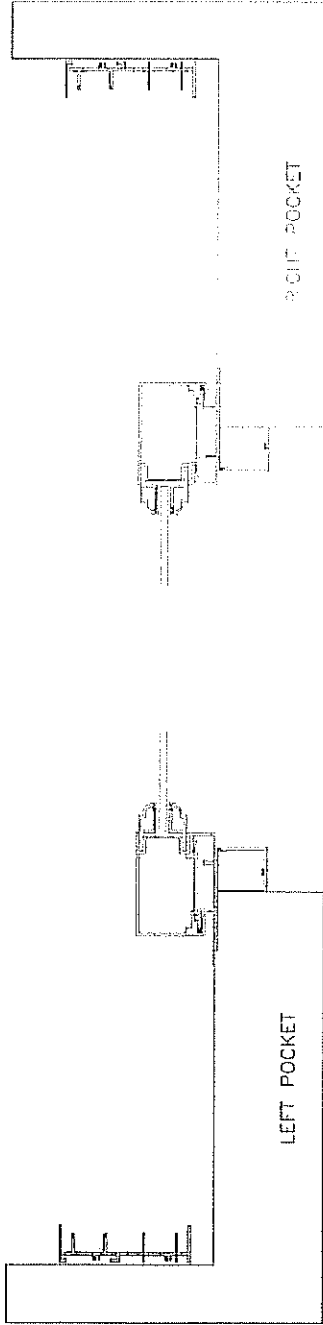
WinDoor
INCORPORATED

7500 AMSTERDAM DRIVE
 ORLANDO, FL 32832
 Phone: 407.481.8400
 Fax: 407.481.0505
 www.windowinc.com

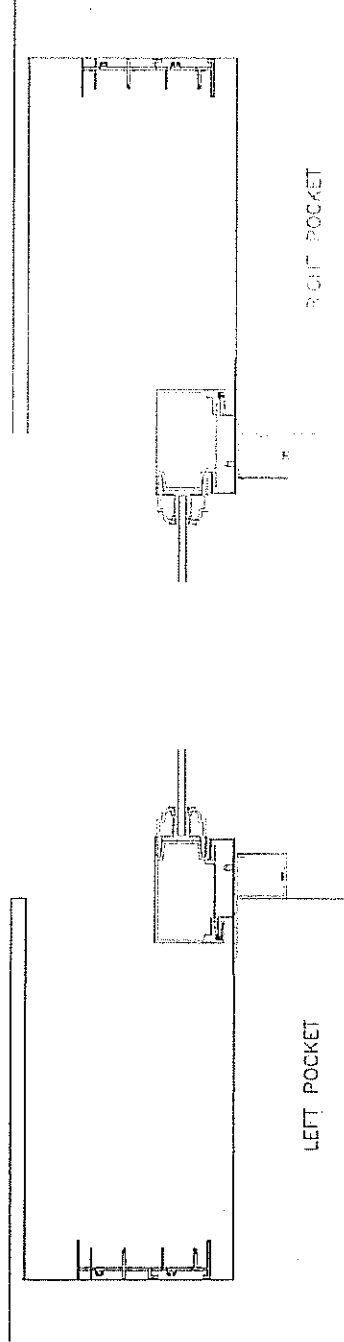
Dwg Title: 8000 SERIES
 POCKET LAYOUT DIMENSIONS

SIZE	Drn By:	DWG NO.	REV
—	TJH	05-08-1093	—

SCALE N.T.S. DATE: 8/12/05 SHEET 1 of 1



INSIDE POCKET / OPEN POCKET



INSIDE POCKET / CLOSED POCKET

EXTERIOR

WinDoor
INCORPORATED

7500 AMSTERDAM DRIVE
ORLANDO, FL 32832

Phone: 407.481.8400
Fax: 407.481.0505

www.windowinc.com

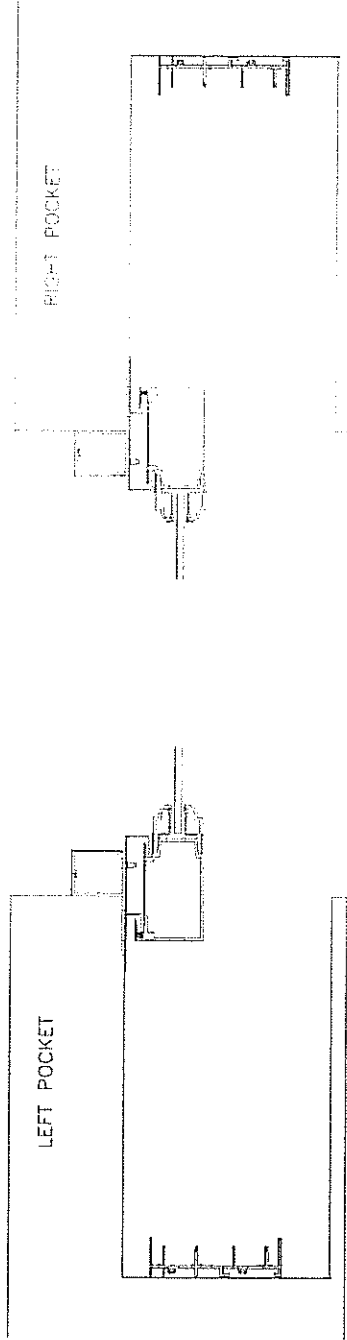
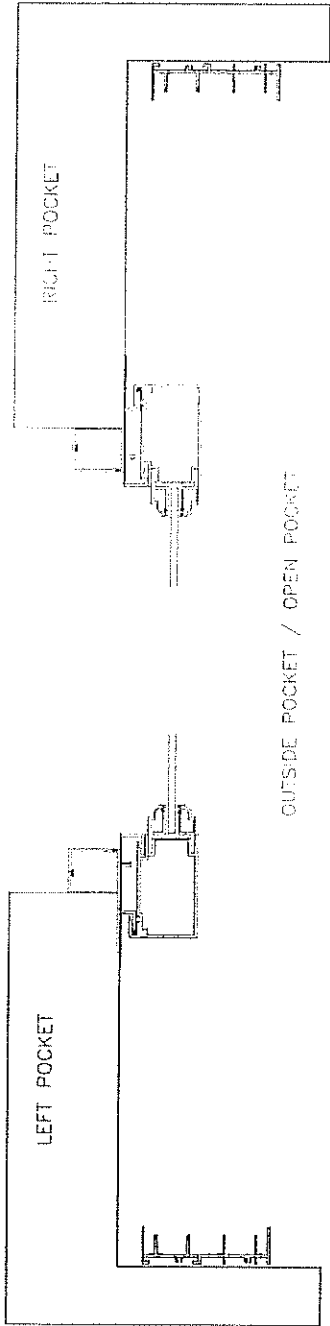
Dwg Title:

8000 SERIES - POCKET OPTIONS
INSIDE POCKET - OPEN / CLOSED POCKETS

SIZE	Drn	By:	DWG NO.	05-07-1031	REV
-	-	TJH	-	-	-

SCALE	N.T.S.	DATE:	7/28/05	SHEET	1 of 1
-------	--------	-------	---------	-------	--------

NOTE: ALL DOORS ARE VIEWED FROM EXTERIOR



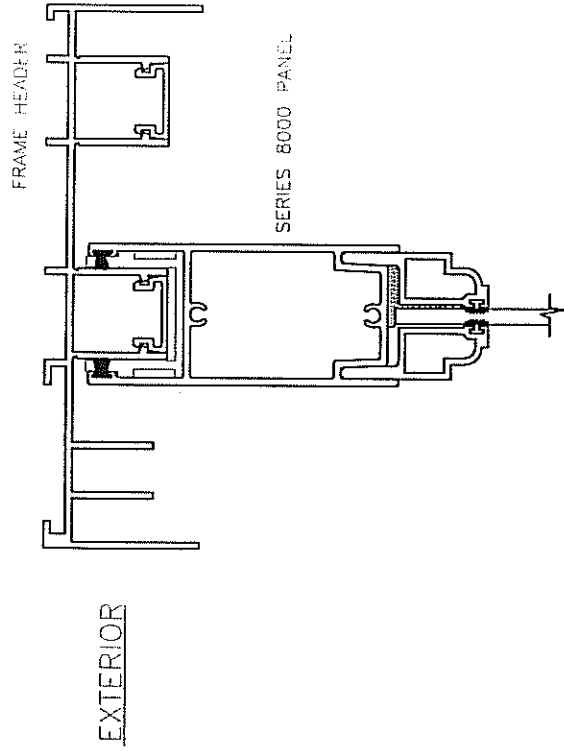
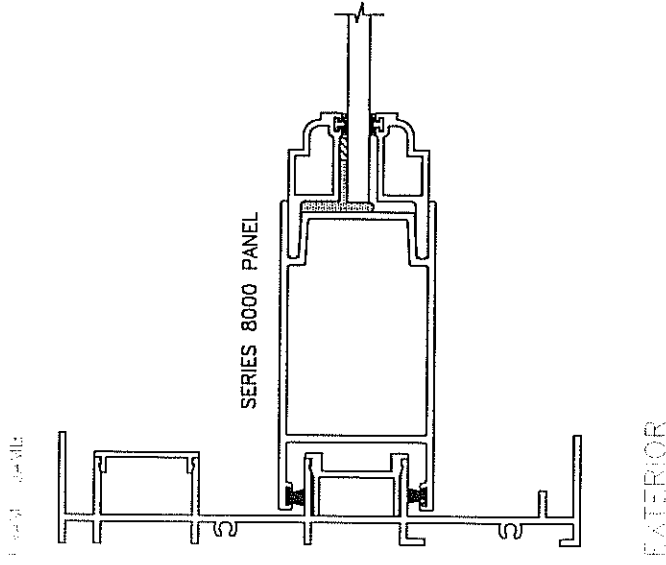
EXTERIOR

7500 AMSTERDAM DRIVE
 ORLANDO, FL 32832
 Phone: 407.481.8400
 Fax: 407.481.0505
 www.windoorinc.com

WinDoor
 INCORPORATED

Dwg Title: 8000 SERIES - POCKET OPTIONS			
OUTSIDE POCKET - OPEN / CLOSED POCKETS			
SIZE	Drn	By:	REV
-	-	TJH	-
DWG NO. 05-07-1032			
SCALE	N.T.S.	DATE: 7/28/05	SHEET 1 of 1

NOTE: ALL DOORS ARE VIEWED FROM EXTERIOR

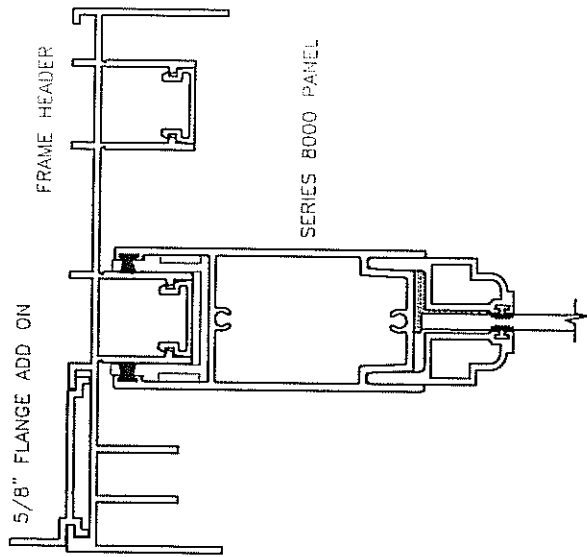


NOTE:
 WS/NS FRAME SHOWN. CAN BE
 USED ON 2T, 3T AND 4T FRAMES.

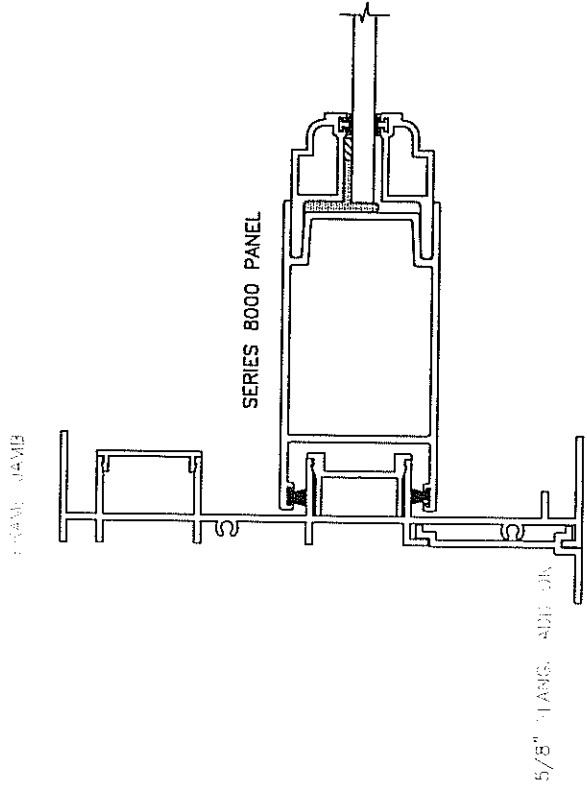
WinDoor
 INCORPORATED

7500 AMSTERDAM DRIVE
 ORLANDO, FL 32832
 Phone: 407.481.8400
 Fax: 407.481.0505
 www.windoorinc.com

Dwg Title:		8000 SERIES - FRAME OPTIONS	
		FRAME HEADER & JAMB - FLUSH	
SIZE	Drn	DWG NO.	REV
-	TJH	05-07-1033	-
SCALE	N.T.S.	DATE: 7/28/05	SHEET 1 of 1



EXTERIOR



EXTERIOR

NOTE:
WS/NIS FRAME SHOWN, CAN BE
USED ON 2T, 3T AND 4T FRAMES.

WinDoor
INCORPORATED

7500 AMSTERDAM DRIVE
ORLANDO, FL 32832

Phone: 407.481.8400
Fax: 407.481.0505

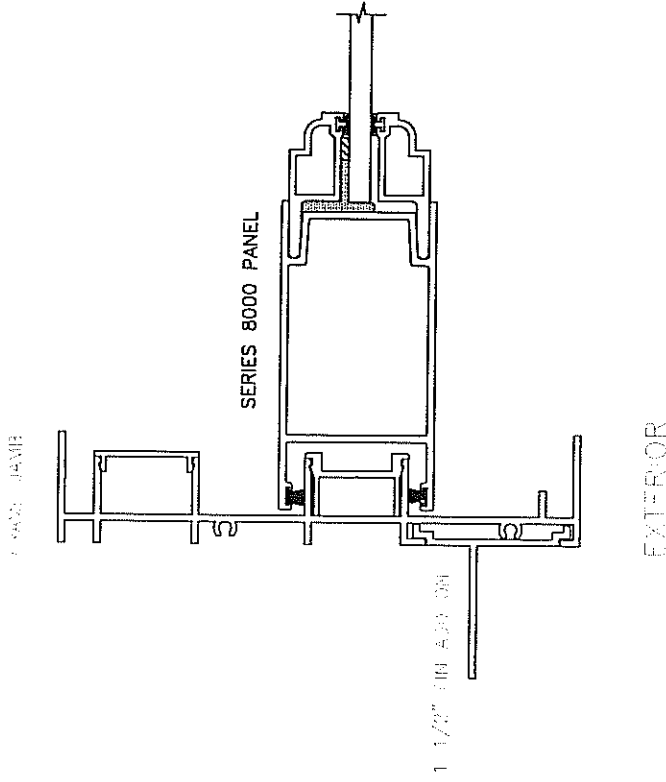
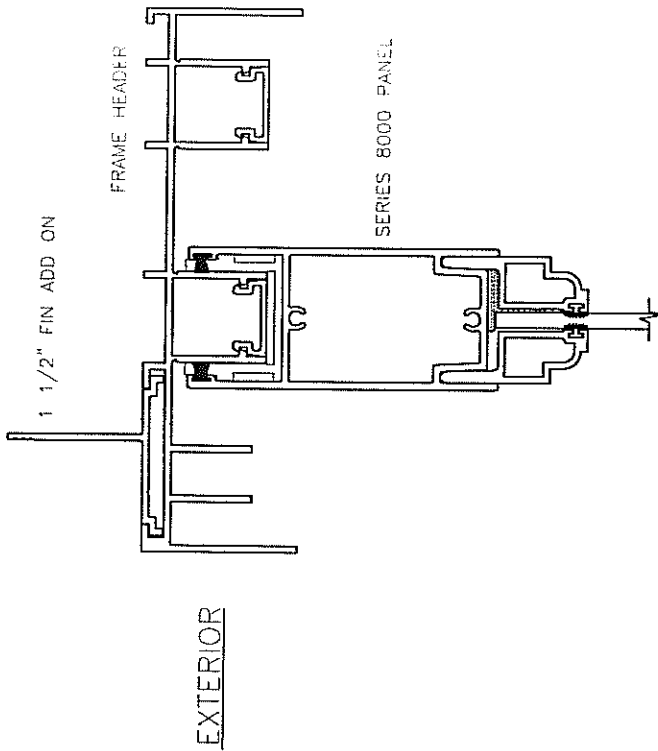
www.windowinc.com

Dwg Title:

8000 SERIES - FRAME OPTIONS
FRAME HEADER & JAMB - 5/8" FLANGE

SIZE	Drn By:	DWG NO.	REV
-	TJH	05-07-1034	-

SCALE N.T.S. DATE: 7/28/05 SHEET 1 of 1



NOTE:
 WS/MS FRAME SHOWN. CAN BE
 USED ON ST, JT AND 4T FRAMES.

WinDoor
 INCORPORATED

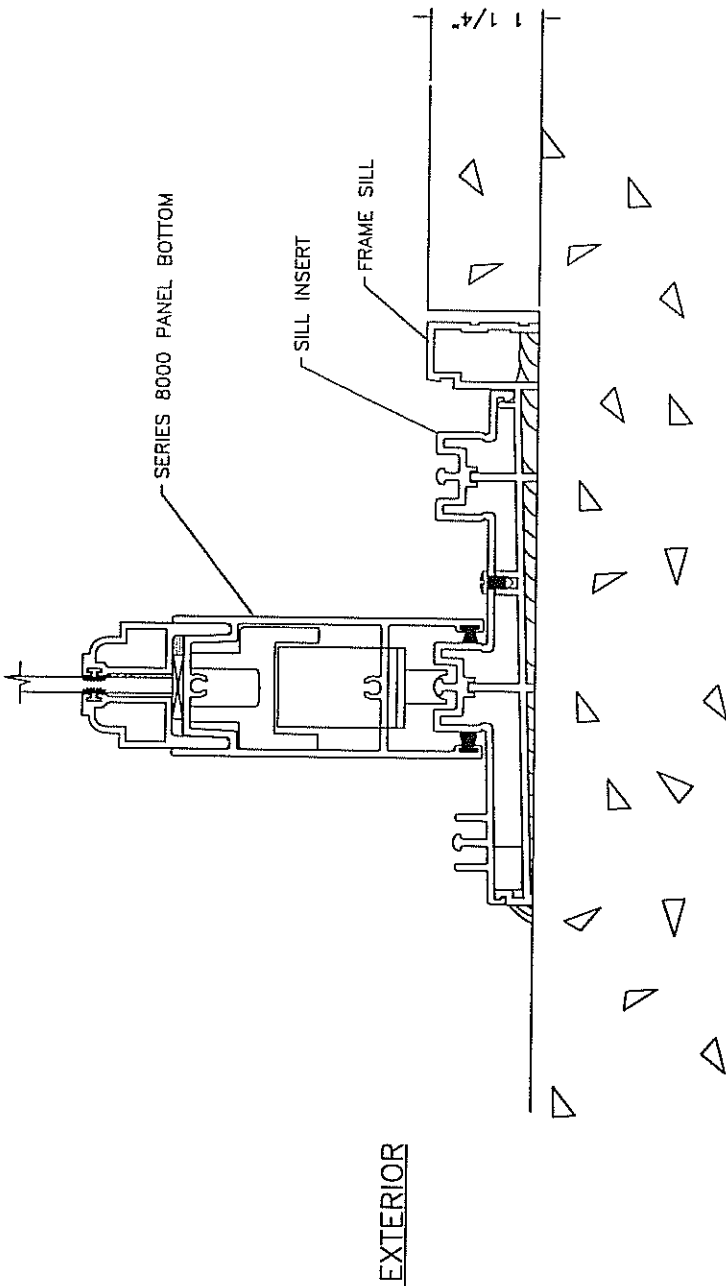
7500 AMSTERDAM DRIVE
 ORLANDO, FL 32832
 Phone: 407.481.8400
 Fax: 407.481.0505
 www.windoorinc.com

Dwg Title:

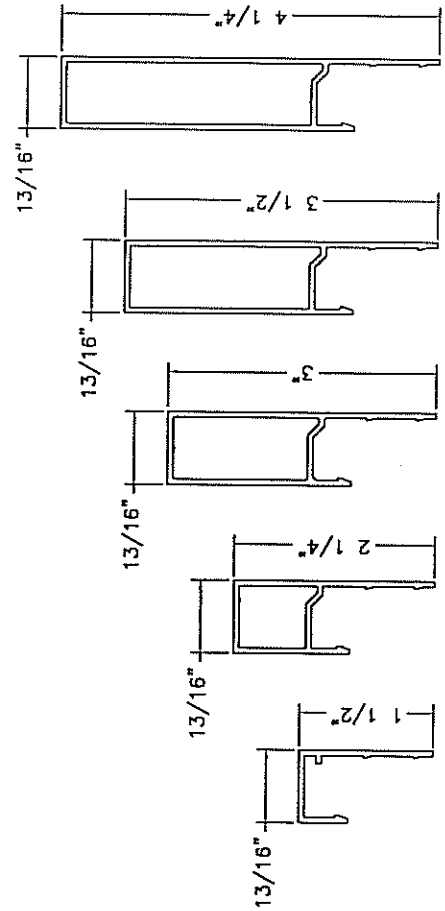
8000 SERIES - FRAME OPTIONS
 FRAME HEADER & JAMB - 1 1/2" FIN

SIZE	Drn By:	DWG NO.	REV
--	TJH	05-07-1035	-

SCALE	N.T.S.	DATE:	7/28/05	SHEET	1 of 1
-------	--------	-------	---------	-------	--------



NOTE:
 WS FRAME SHOWN. CAN BE USED
 ON NS, 2T, 3T AND 4T FRAMES.



SILL RISER OPTIONS

WinDoor
 INCORPORATED

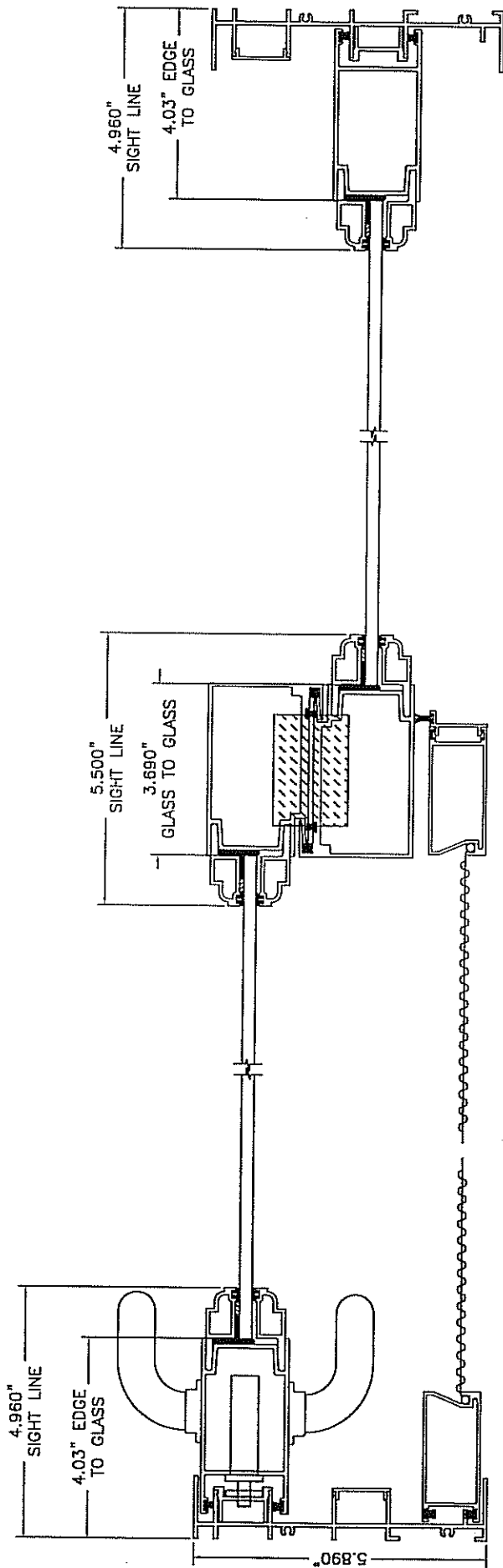
7500 AMSTERDAM DRIVE
 ORLANDO, FL 32832
 Phone: 407.481.8400
 Fax: 407.481.0505
 www.windowinc.com

Dwg Title:

8000 SERIES - FRAME OPTIONS
 FRAME SILL WITH ADD ON SILL RISERS

SIZE	Drn By:	DWG NO.	REV
-	TJH	05-07-1036	-

SCALE N.T.S. DATE: 7/28/05 SHEET 1 of 1



EXTERIOR

WinDoor
INCORPORATED

7500 AMSTERDAM DRIVE
ORLANDO, FL 32832

Phone: 407-481-8400
Fax: 407-481-0505

www.windowinc.com

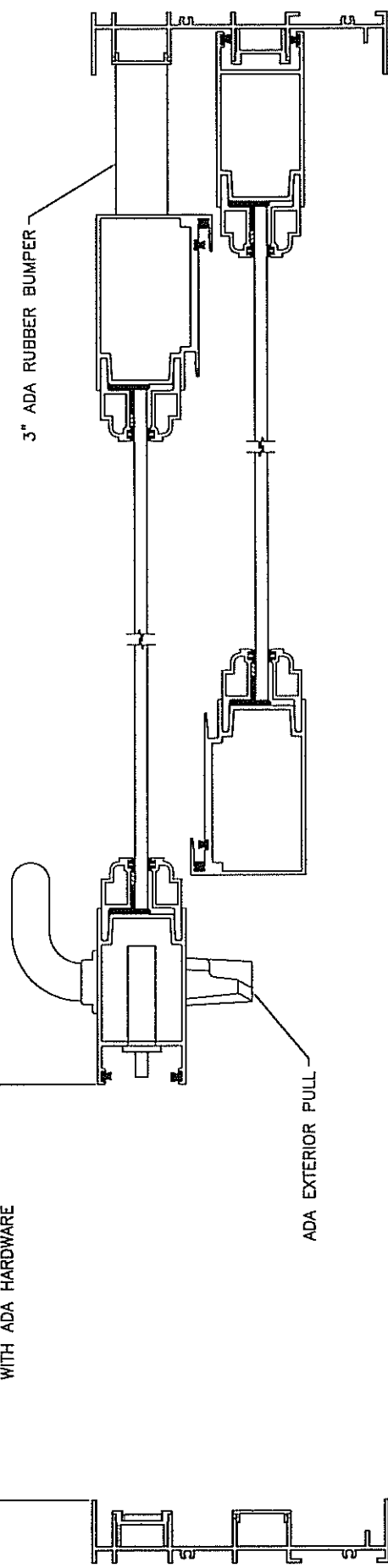
Dwg Title:

8000 SERIES - HORIZONTAL CROSS SECTIONS
XO CONFIGURATION SHOWN

SIZE	Drn	By:	DWG NO.	05-07-1037	REV
-	-	TJH			-

SCALE N.T.S. DATE: 7/28/05 SHEET 1 of 1

76" MINIMUM DOOR WIDTH
FOR 32" CLEAR OPENING
WITH ADA HARDWARE



EXTERIOR

WinDoor
INCORPORATED

7500 AMSTERDAM DRIVE
ORLANDO, FL 32832

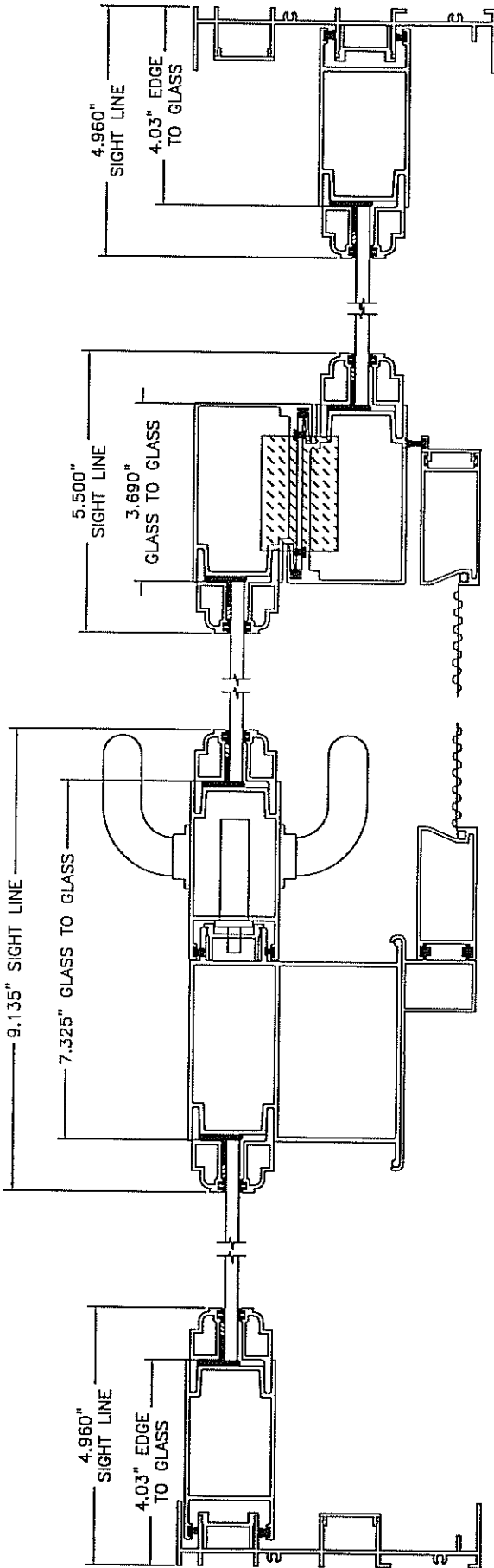
Phone: 407.481.8400
Fax: 407.481.0505
www.windoorinc.com

Dwg Title:

8000 SERIES - HORIZONTAL CROSS SECTIONS
XO CONFIGURATION W/ADA HARDWARE SHOWN

SIZE	Dwn	By:	DWG NO.	REV
-	-	TJH	05-07-1038	-

SCALE	N.T.S.	DATE:	7/28/05	SHEET	1 of 1
-------	--------	-------	---------	-------	--------



EXTERIOR

WinDoor
INCORPORATED

7500 AMSTERDAM DRIVE
ORLANDO, FL 32832

Phone: 407.481.8400
Fax: 407.481.0505

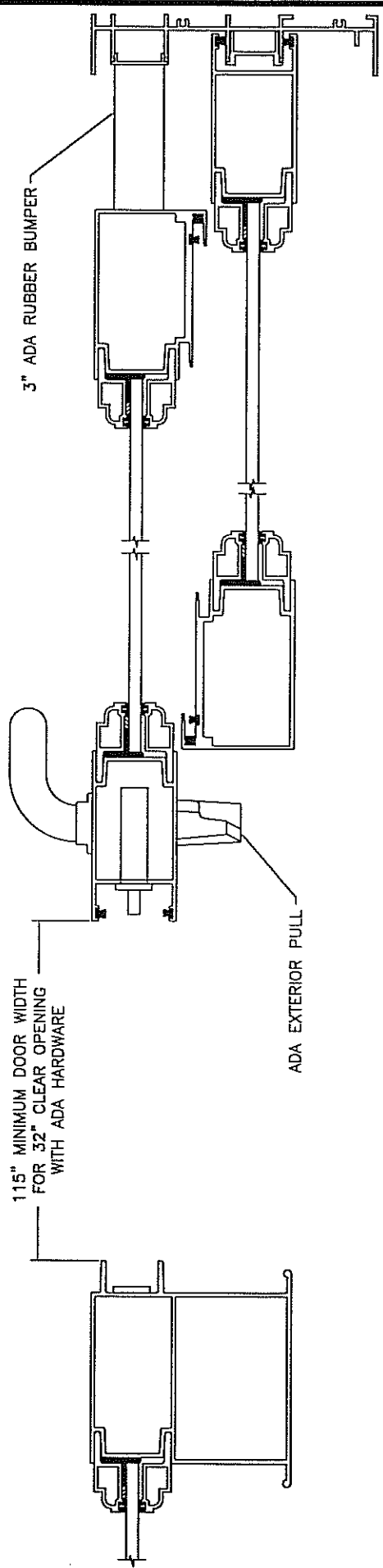
www.windoorinc.com

Dwg Title:

8000 SERIES - HORIZONTAL CROSS SECTIONS
OXO CONFIGURATION SHOWN

SIZE	Drn By:	DWG NO.	REV
-	TJH	05-07-1039	-

SCALE	N.T.S.	DATE:	7/28/05	SHEET	1 of 1
-------	--------	-------	---------	-------	--------



EXTERIOR

WinDoor
INCORPORATED

7500 AMSTERDAM DRIVE
ORLANDO, FL 32832

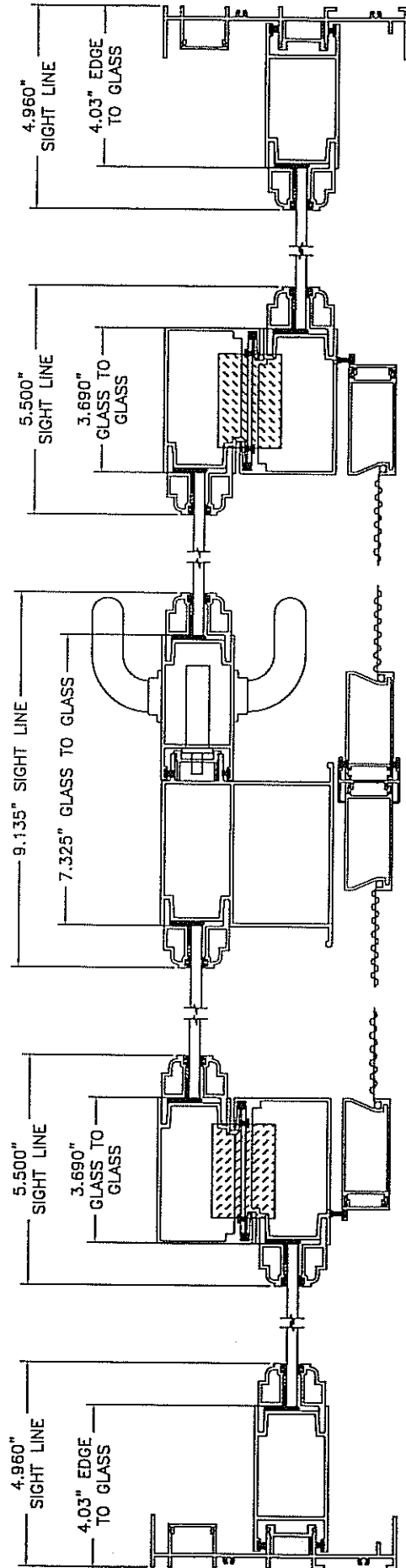
Phone: 407.481.8400
Fax: 407.481.0505
www.windowinc.com

Dwg Title:

8000 SERIES - HORIZONTAL CROSS SECTIONS
OXO CONFIGURATION W/ADA HARDWARE SHOWN

SIZE	Drn	By:	DWG NO.	REV
-	-	TJH	05-07-1040	-

SCALE	N.T.S.	DATE:	7/28/05	SHEET	1 of 1
-------	--------	-------	---------	-------	--------



EXTERIOR

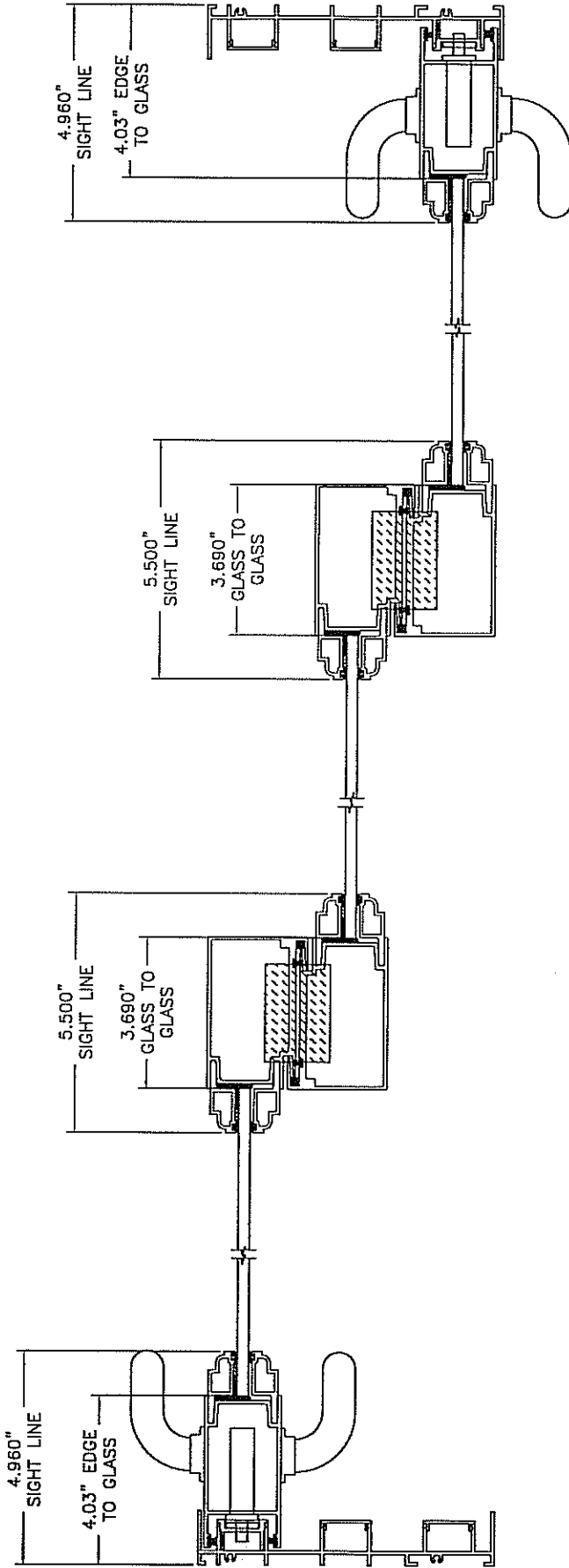
WinDoor
INCORPORATED

7500 AMSTERDAM DRIVE
ORLANDO, FL 32832
Phone: 407.481.8400
Fax: 407.481.0505
www.windowinc.com

Dwg Title:
8000 SERIES - HORIZONTAL CROSS SECTIONS
OXXO CONFIGURATION SHOWN

SIZE	Drn	By:	DWG NO.	REV
-	-	TJH	05-07-1041	-

SCALE N.T.S. DATE: 7/28/05 SHEET 1 of 1



EXTERIOR

WinDoor
INCORPORATED

7500 AMSTERDAM DRIVE
ORLANDO, FL 32832

Phone: 407.481.8400
Fax: 407.481.0505

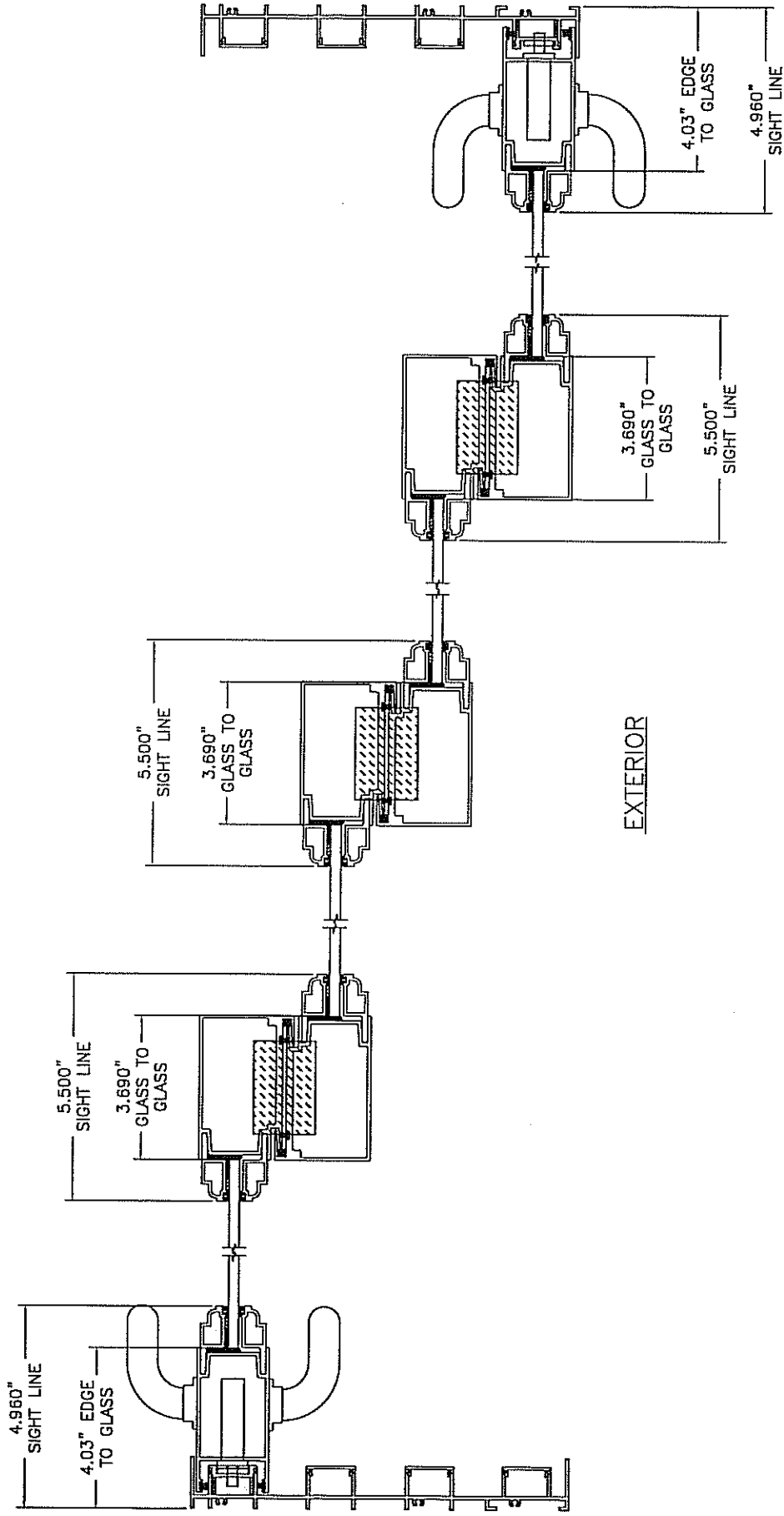
www.windoorinc.com

Dwg Title:

8000 SERIES - HORIZONTAL CROSS SECTIONS
XXX CONFIGURATION SHOWN

SIZE	Drm By:	DWG NO.	REV
-	TJH	05-08-1116	-

SCALE	N.T.S.	DATE:	8/31/05	SHEET	1 of 1
-------	--------	-------	---------	-------	--------



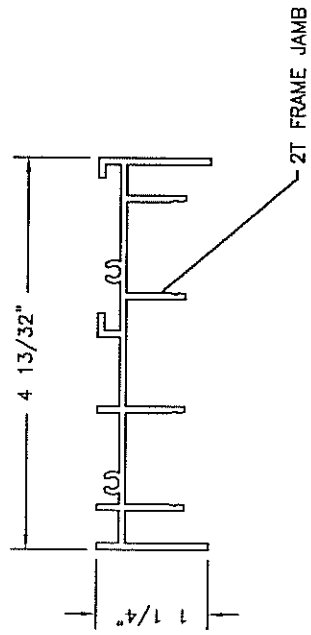
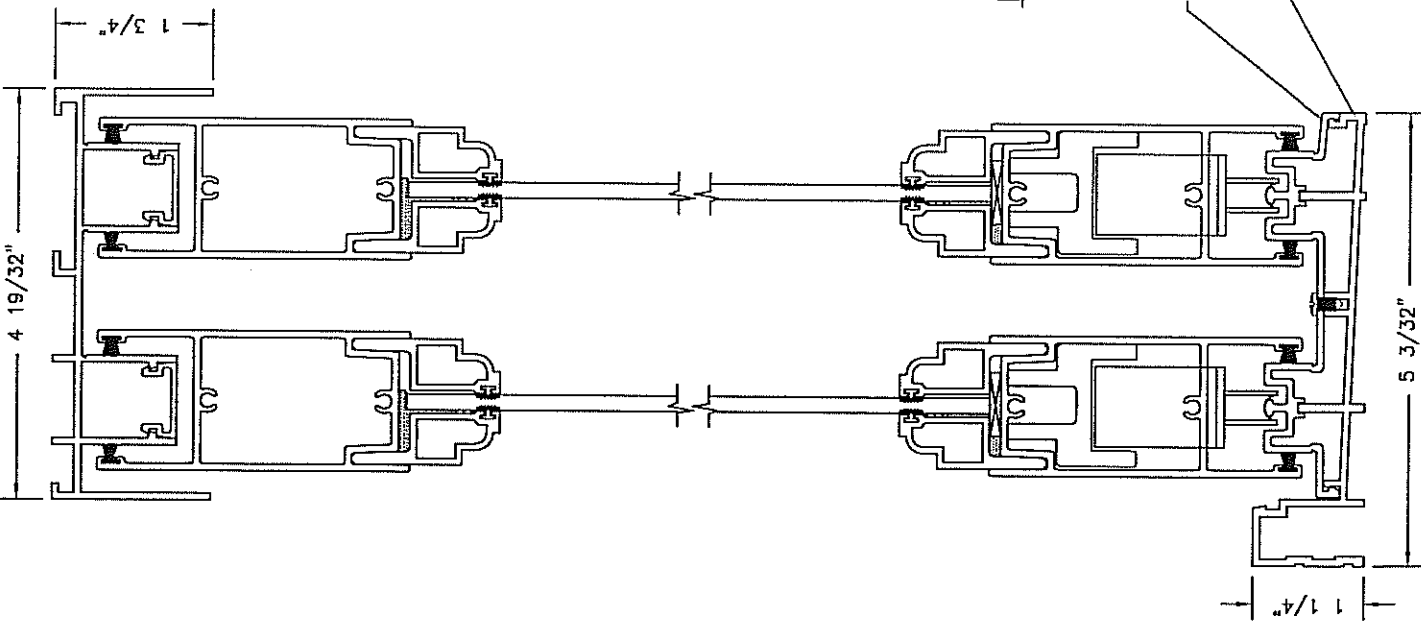
WinDoor
INCORPORATED

7500 AMSTERDAM DRIVE
ORLANDO, FL 32832
Phone: 407.481.8400
Fax: 407.481.0305
www.winDoorinc.com

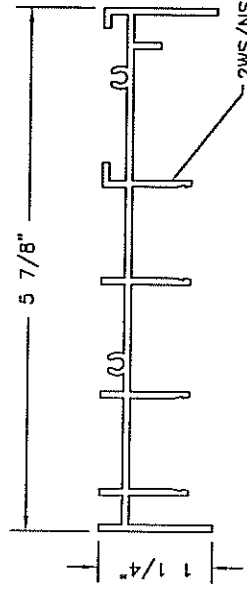
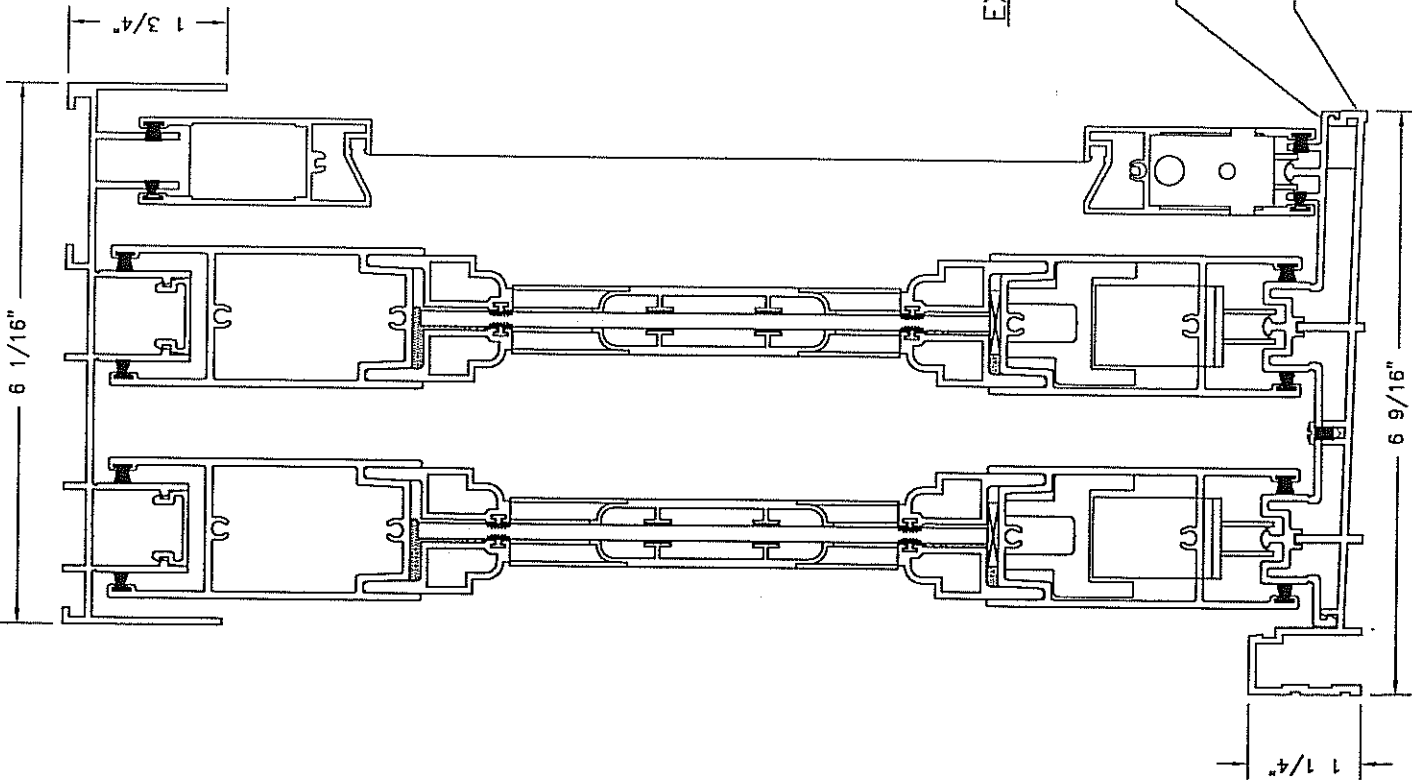
Dwg Title: 8000 SERIES - HORIZONTAL CROSS SECTIONS
XXXX CONFIGURATION SHOWN

SIZE	Drn By:	DWG NO.	REV
-	TJH	05-08-1117	-

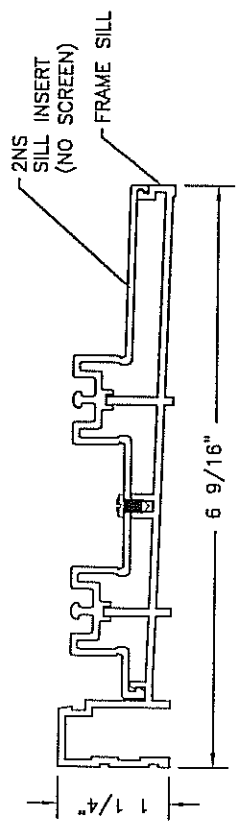
SCALE N.T.S. DATE: 8/31/05 SHEET 1 of 1



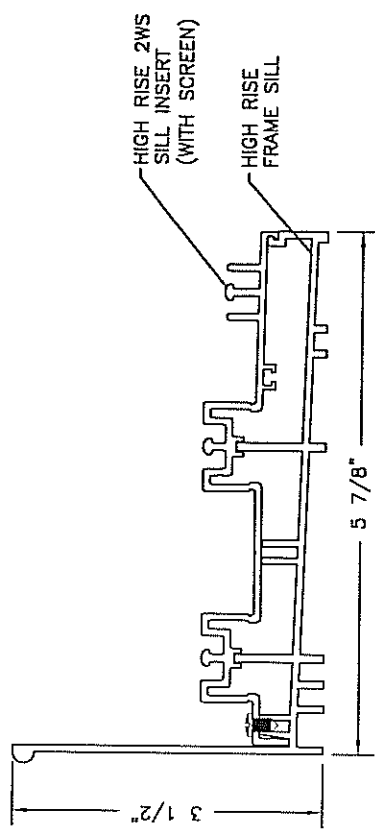
WinDoor INCORPORATED 7500 AMSTERDAM DRIVE ORLANDO, FL 32832 Phone: 407.481.8400 Fax: 407.481.0505 www.winDoorinc.com	
Dwg Title: 8000 SERIES - VERTICAL CROSS SECTIONS 2-TRACK W/2T SILL & 2T JAMB	
SIZE: - Dwn By: TJH	DWG NO. 05-07-1045 REV -
SCALE N.T.S.	DATE: 7/29/05 SHEET 1 of 1



2WS/NS
FRAME JAMB



2NS
SILL INSERT
(NO SCREEN)
FRAME SILL



HIGH RISE 2WS
SILL INSERT
(WITH SCREEN)
HIGH RISE
FRAME SILL

EXTERIOR

2WS
SILL INSERT
(WITH SCREEN)

FRAME SILL

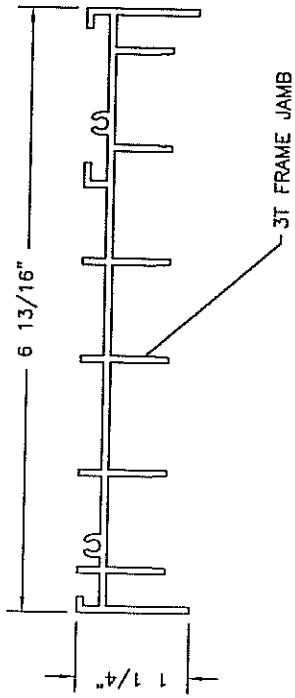
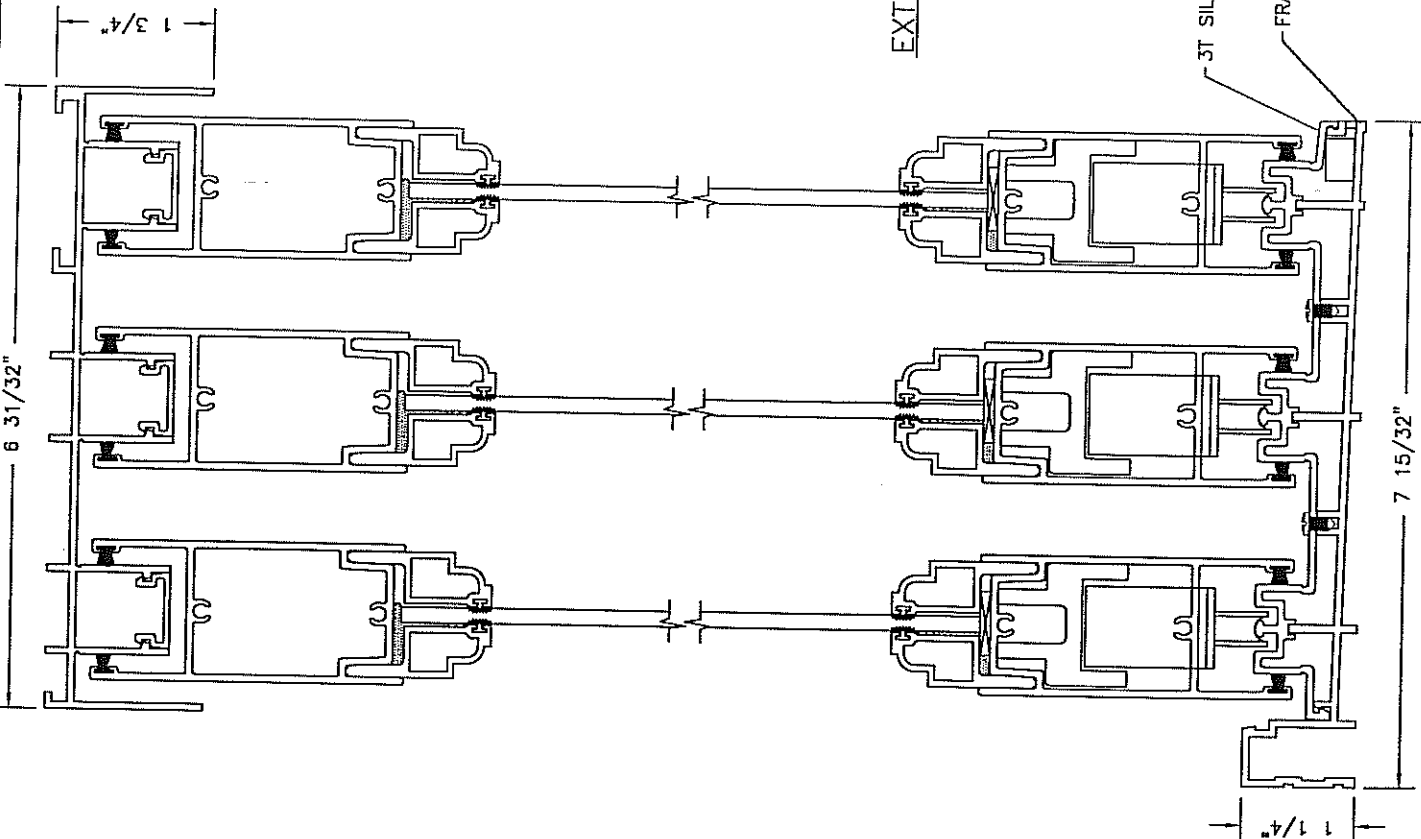
WinDoor
INCORPORATED

7500 AMSTERDAM DRIVE
ORLANDO, FL 32832
Phone: 407.481.8400
Fax: 407.481.0505
www.windowinc.com

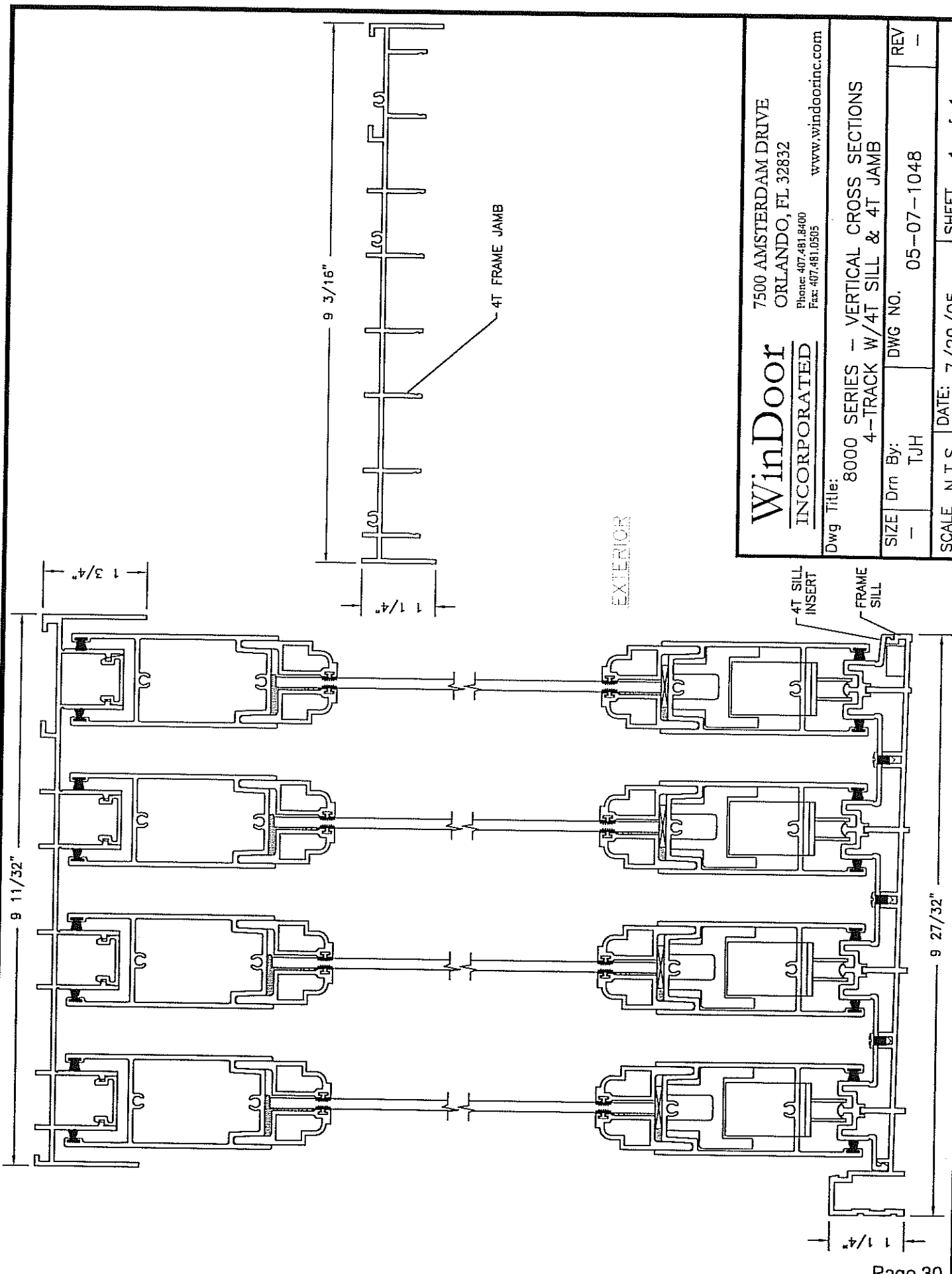
Dwg Title: 8000 SERIES - VERTICAL CROSS SECTIONS
2-TRACK W/2WS & 2NS SILL & JAMB

SIZE	Drn By:	DWG NO.	REV
-	TJH	05-07-1046	-

SCALE N.T.S. DATE: 7/29/05 SHEET 1 of 1



WinDoor INCORPORATED		7500 AMSTERDAM DRIVE ORLANDO, FL 32832 Phone: 407.481.8400 Fax: 407.481.0505 www.windowinc.com	
Dwg Title: 8000 SERIES - VERTICAL CROSS SECTIONS 3-TRACK W/3T SILL & 3T JAMB			
SIZE	Drn By:	DWG NO.	REV
-	TJH	05-07-1047	-
SCALE N.T.S.		DATE: 7/29/05	SHEET 1 of 1



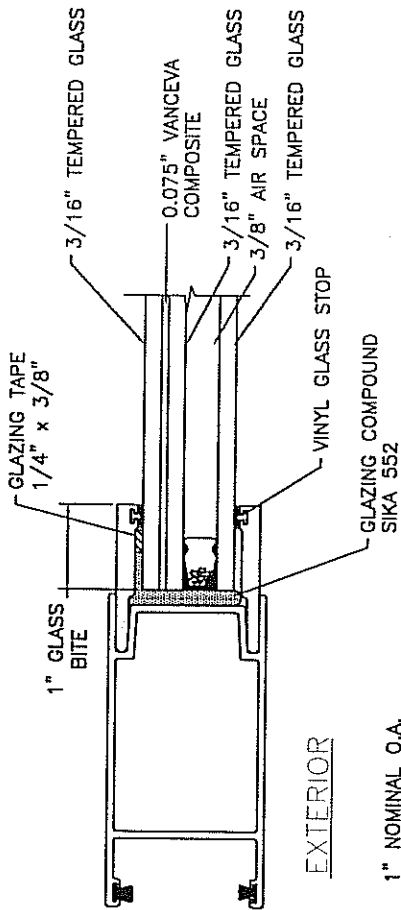
WinDoor
 INCORPORATED

7500 AMSTERDAM DRIVE
 ORLANDO, FL 32832
 Phone: 407.481.8400
 Fax: 407.481.0505
 www.windoorinc.com

Dwg Title: 8000 SERIES - VERTICAL CROSS SECTIONS
 4-TRACK W/4T SILL & 4T JAMB

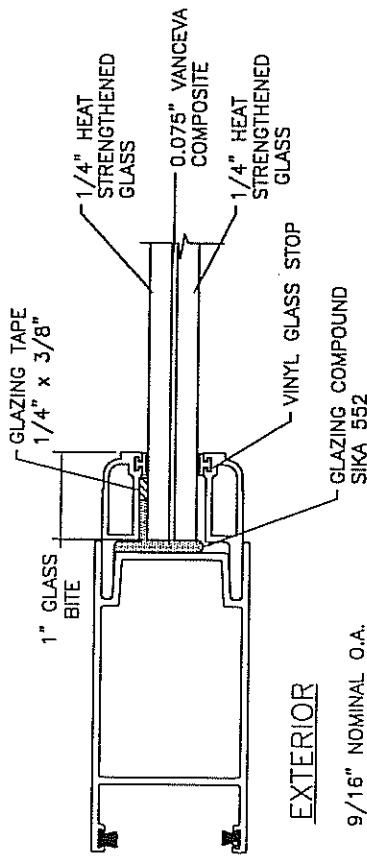
SIZE	Drn By:	DWG NO.	REV
-	TJH	05-07-1048	-

SCALE N.T.S. DATE: 7/29/05 SHEET 1 of 1



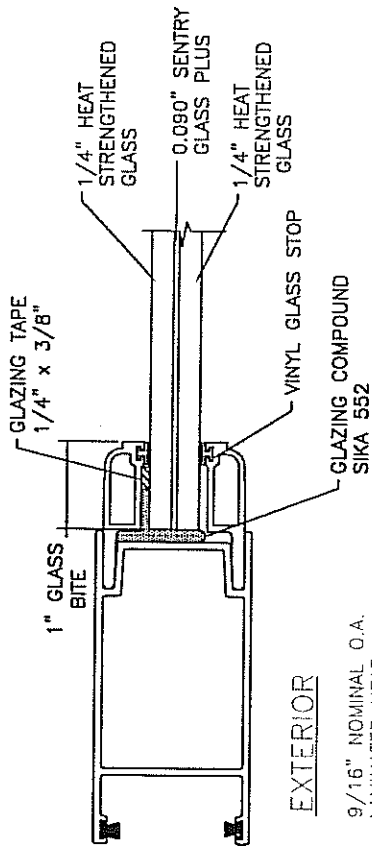
EXTERIOR

1" NOMINAL O.A.
INSULATED TEMPERED
LARGE MISSILE
IMPACT GLASS



EXTERIOR

9/16" NOMINAL O.A.
LAMINATED HEAT
STRENGTHENED
LARGE MISSILE
IMPACT GLASS



EXTERIOR

9/16" NOMINAL O.A.
LAMINATED HEAT
STRENGTHENED
LARGE MISSILE
IMPACT GLASS

WinDoor
INCORPORATED

7500 AMSTERDAM DRIVE
ORLANDO, FL 32832

Phone: 407-481-8400
Fax: 407-481-0505

www.windowinc.com

Dwg Title:

8000 SERIES - GLAZING OPTIONS
LARGE MISSILE

SIZE Dwn By:

DWG NO. 05-07-1042

REV

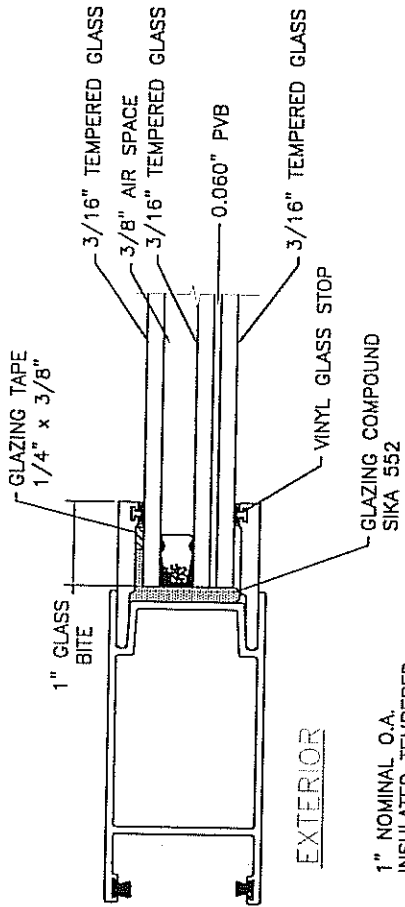
-

SCALE N.T.S.

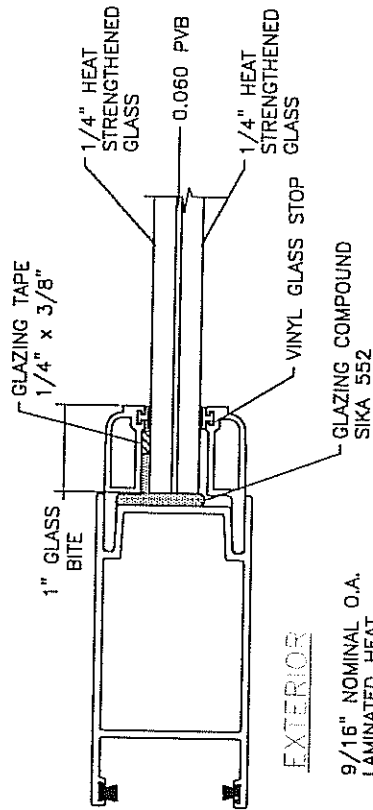
DATE: 7/28/05

SHEET

1 of 1



1" NOMINAL O.A.
INSULATED TEMPERED
SMALL MISSILE
IMPACT GLASS



9/16" NOMINAL O.A.
LAMINATED HEAT
STRENGTHENED
SMALL MISSILE
IMPACT GLASS

WinDoor
INCORPORATED

7500 AMSTERDAM DRIVE
ORLANDO, FL 32832

Phone: 407.481.8400
Fax: 407.481.0505

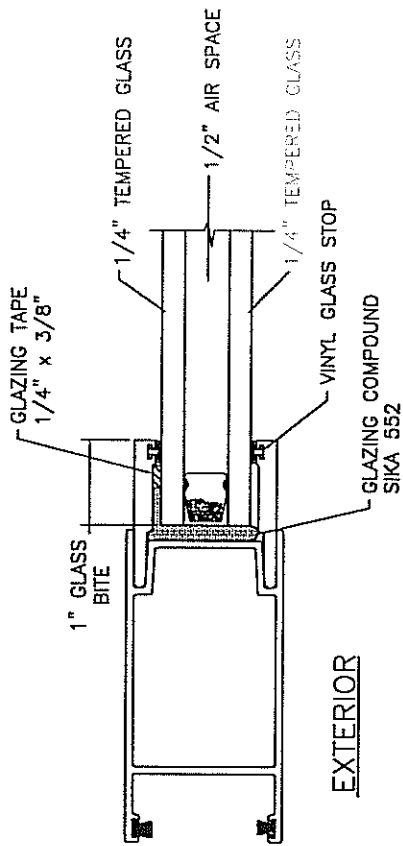
www.windowinc.com

Dwg Title:

8000 SERIES - GLAZING OPTIONS
SMALL MISSILE

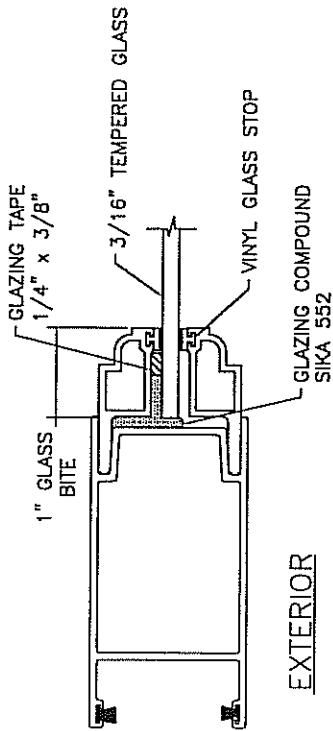
SIZE	Drn	By:	DWG NO.	REV
-	-	TJH	05-07-1043	-

SCALE	N.T.S.	DATE:	7/29/05	SHEET	1 of 1
-------	--------	-------	---------	-------	--------



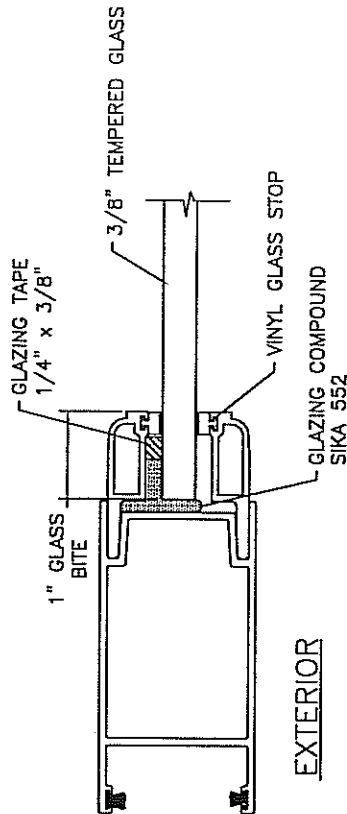
EXTERIOR

1" NOMINAL O.A.
INSULATED
TEMPERED GLASS



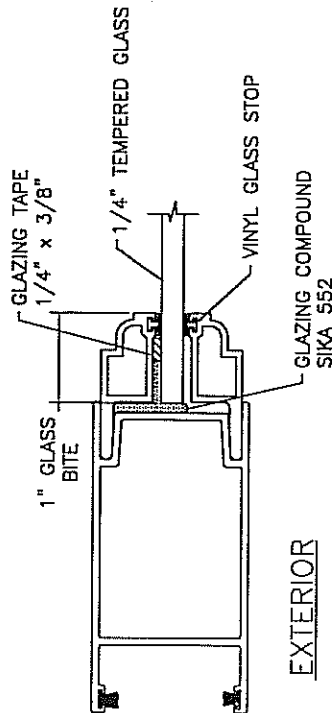
EXTERIOR

3/16" NOMINAL O.A.
TEMPERED GLASS



EXTERIOR

3/8" NOMINAL O.A.
TEMPERED GLASS



EXTERIOR

1/4" NOMINAL O.A.
TEMPERED GLASS

WinDoor
INCORPORATED

7500 AMSTERDAM DRIVE
ORLANDO, FL 32832

Phone: 407-481-8400
Fax: 407-481-0505

www.windoorinc.com

Dwg Title:

8000 SERIES - GLAZING OPTIONS
NON-IMPACT

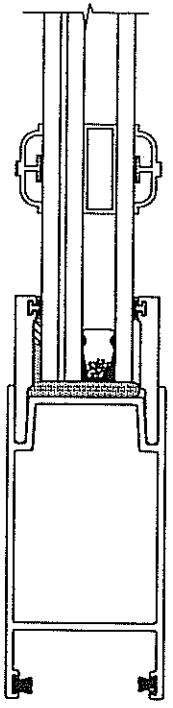
SIZE Drn By: TJH

DWG NO. 05-07-1044

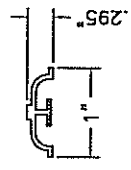
REV -

SCALE N.T.S. DATE: 7/29/05

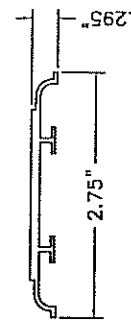
SHEET 1 of 1



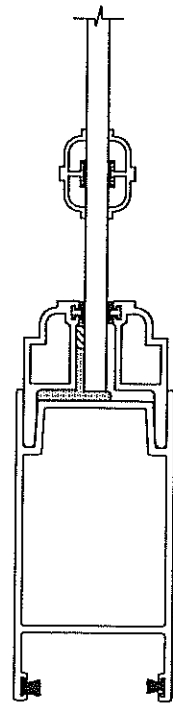
1" NOMINAL O.A. INSULATED
IMPACT OR NON-IMPACT GLASS
WITH STANDARD APPLIED MUNTIN



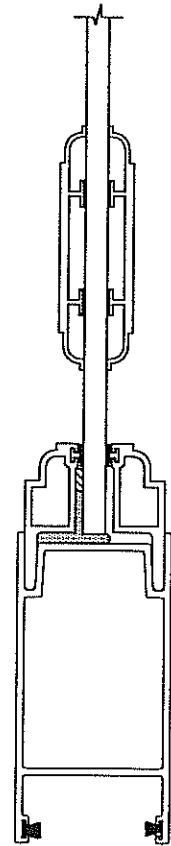
STANDARD APPLIED MUNTIN



WIDE STYLE APPLIED MUNTIN



1/4" NOMINAL O.A. GLASS
WITH STANDARD APPLIED MUNTIN



1/4" NOMINAL O.A. GLASS
WITH WIDE STYLE APPLIED MUNTIN

WinDoor
INCORPORATED

7500 AMSTERDAM DRIVE
ORLANDO, FL 32832

Phone: 407.481.8400
Fax: 407.481.0505
www.windowinc.com

Dwg Title:		8000 SERIES - MUNTIN OPTIONS	
SIZE		STANDARD AND WIDE STYLE APPLIED MUNTIN	
Dwn By:	DWG NO.	REV	
TJH	05-07-1049	-	-
SCALE	N.T.S.	DATE:	7/29/05
		SHEET	1 of 1