

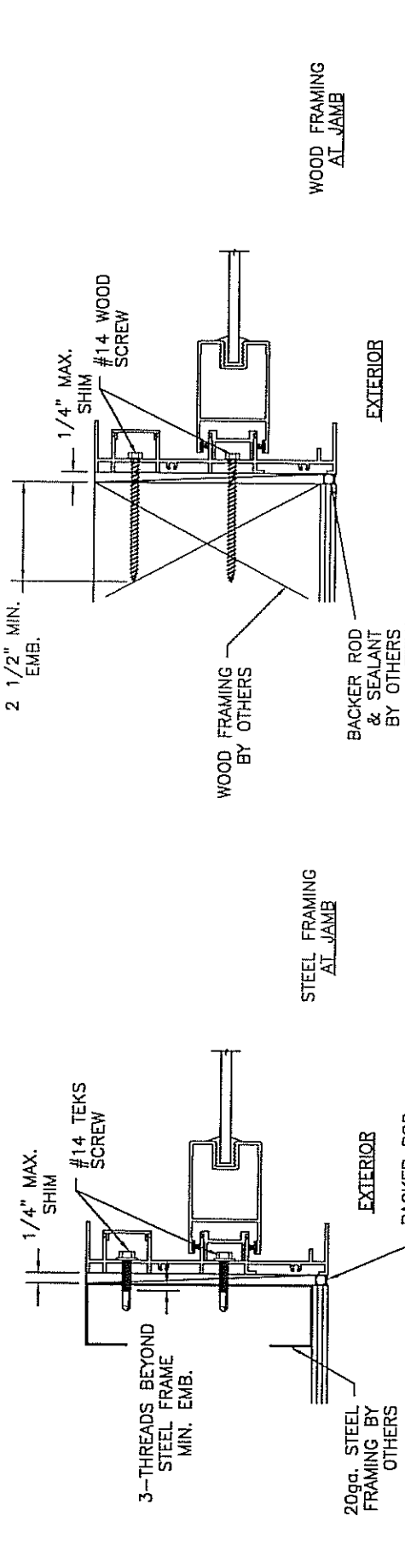
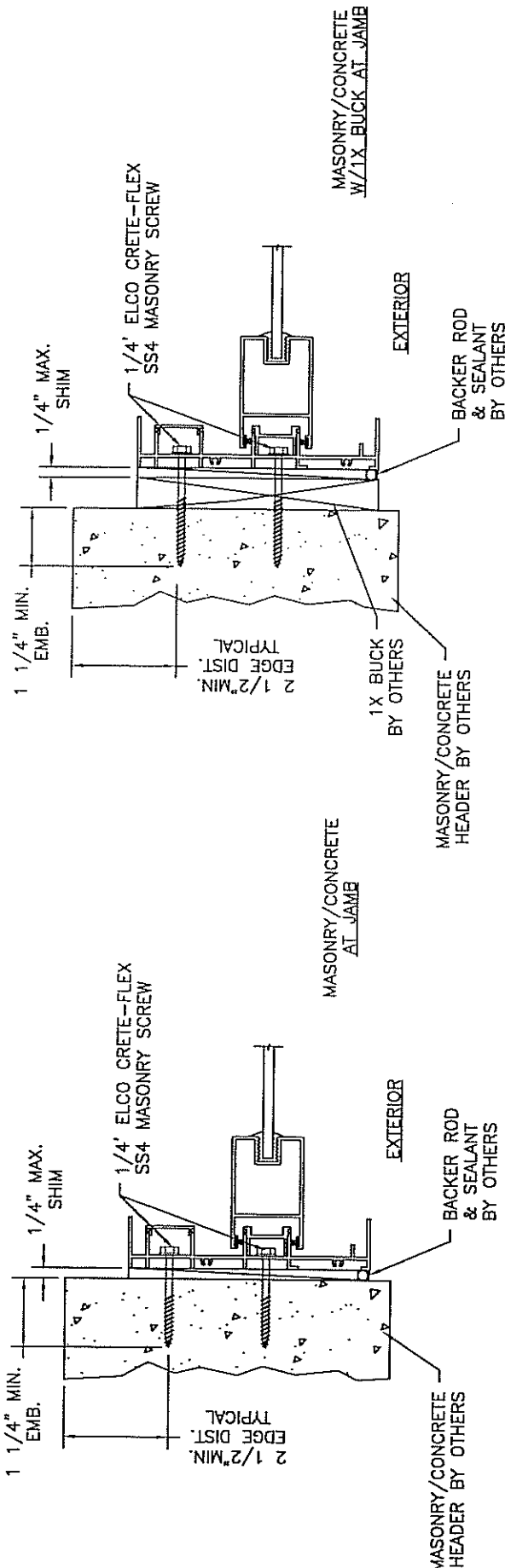
**WinDoor**  
INCORPORATED

7500 AMSTERDAM DRIVE  
ORLANDO, FL 32832  
Phone: 407.481.8400  
Fax: 407.481.0505  
www.windowinc.com

Dwg Title: 6000 SERIES - 2T HORIZONTAL CROSS SECTIONS

SIZE	Drn By:	DWG NO.	REV
-	TJH	05-10-1202	-

SCALE N.T.S. DATE: 9/27/05 SHEET 1 of 1

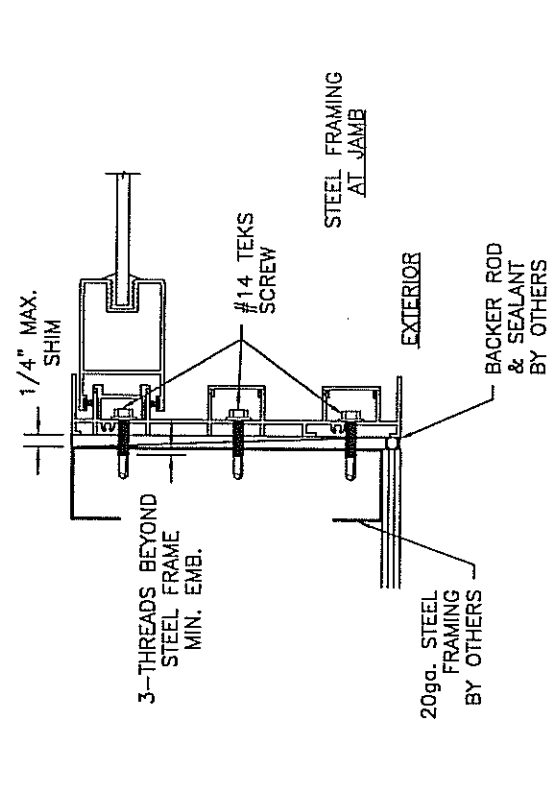
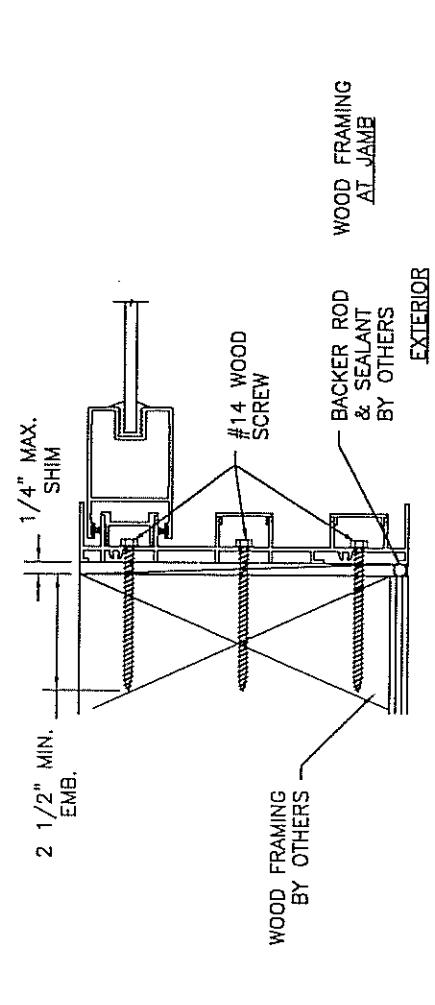
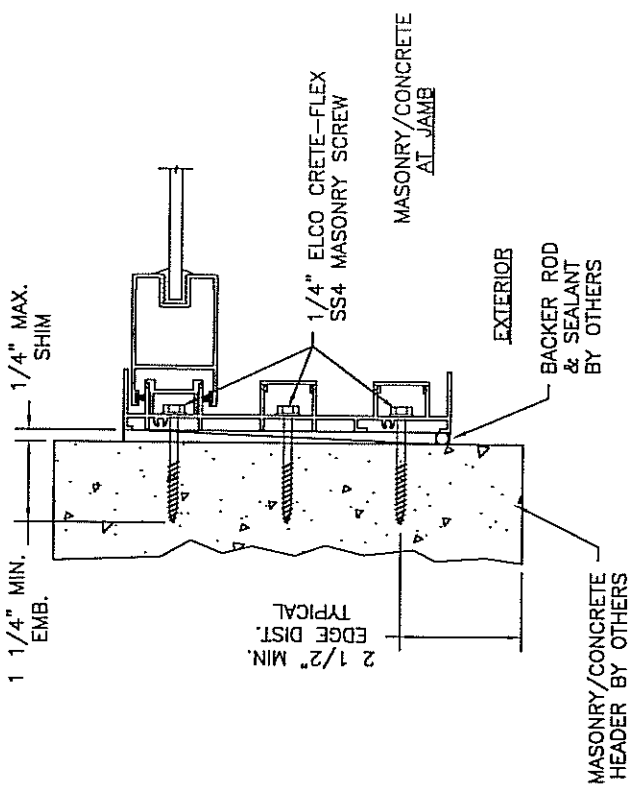
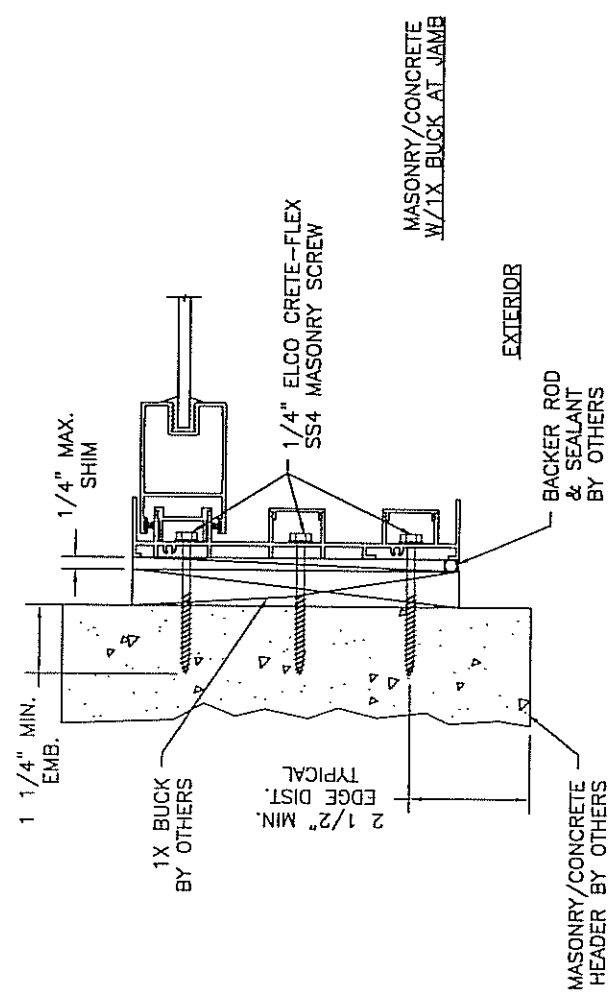


**WinDoor**  
 INCORPORATED  
 7500 AMSTERDAM DRIVE  
 ORLANDO, FL 32832  
 Phone: 407.481.8400  
 Fax: 407.481.0505  
 www.windowinc.com

Dwg Title:  
 6000 SERIES - 2T WS HORIZONTAL CROSS SECTIONS

SIZE	Drn By:	DWG NO.	REV
-	TJH	05-10-1204	-

SCALE N.T.S. DATE: 9/27/05 SHEET 1 of 1



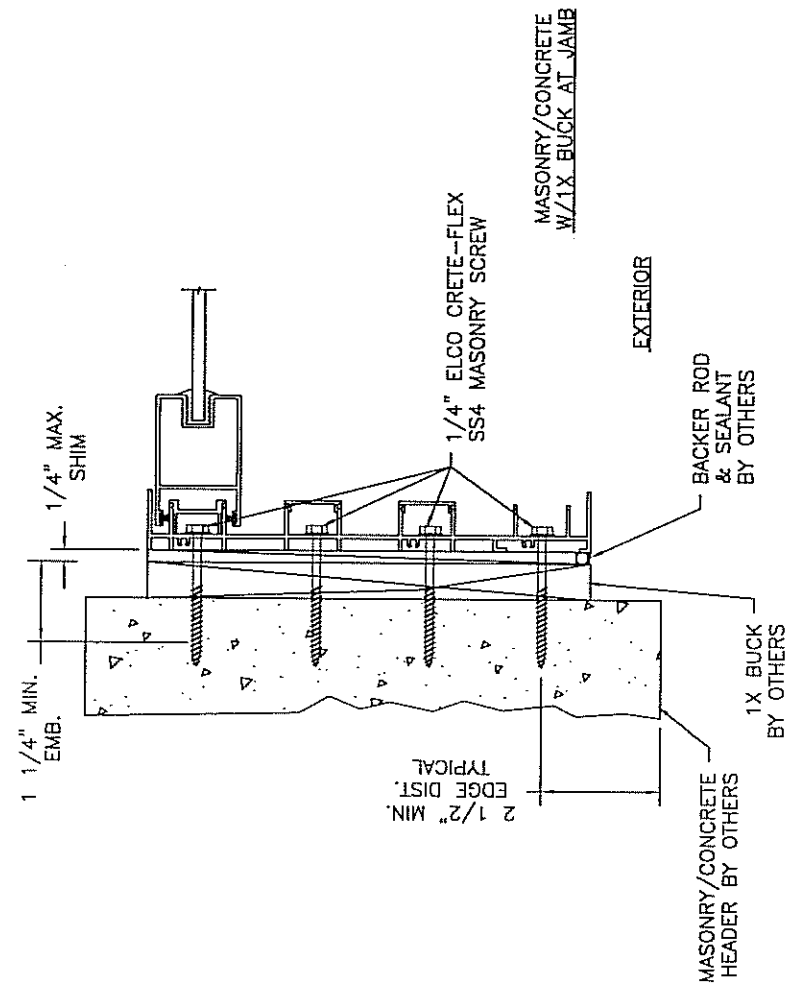
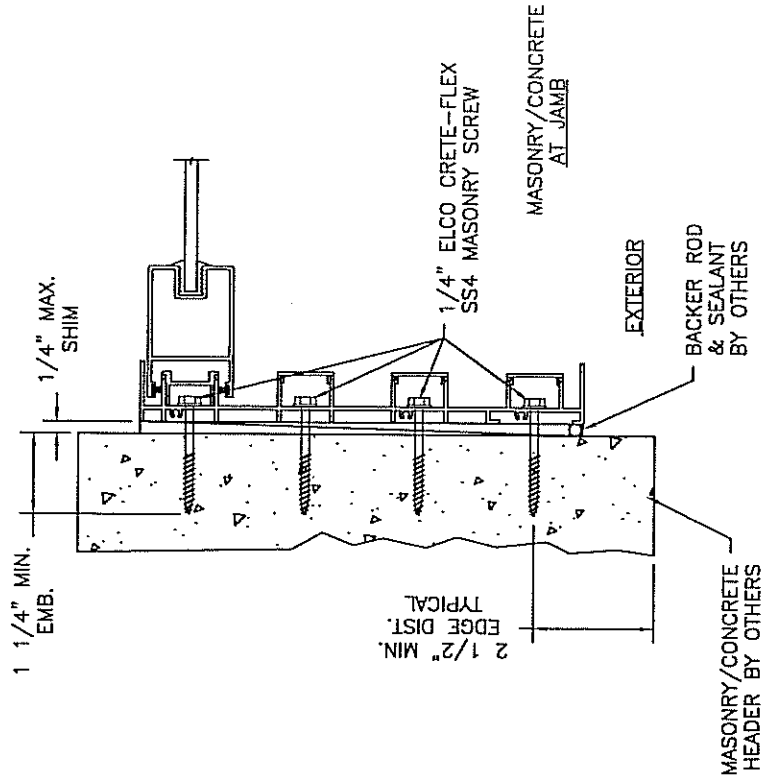
**WinDoor**  
INCORPORATED

7500 AMSTERDAM DRIVE  
ORLANDO, FL 32832  
Phone: 407.481.8400  
Fax: 407.481.0505  
www.winDoorinc.com

Dwg Title:  
6000 SERIES - 3T HORIZONTAL CROSS SECTIONS

SIZE	Drn By:	DWG NO.	REV
-	TJH	05-10-1206	-

SCALE N.T.S. DATE: 9/27/05 SHEET 1 of 1



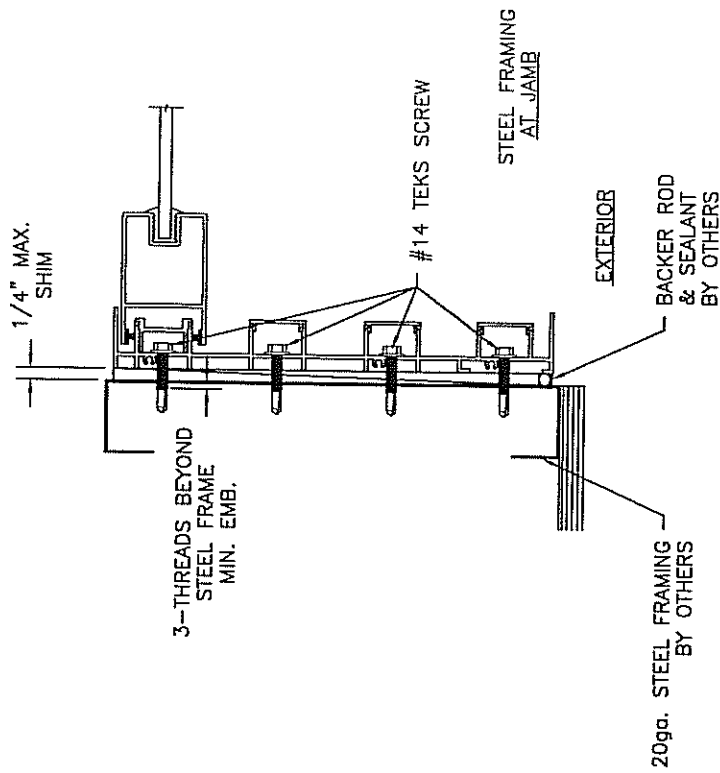
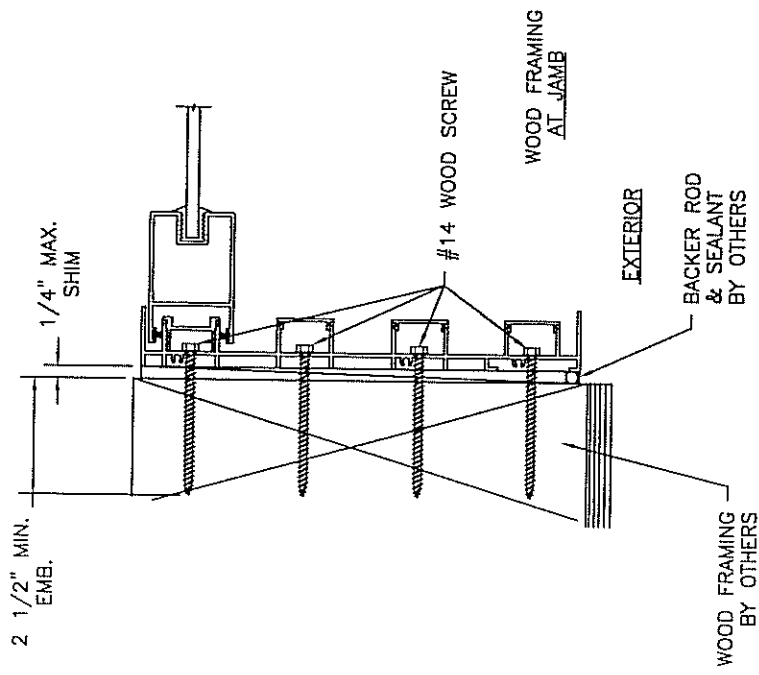
**WinDoor**  
 INCORPORATED

7500 AMSTERDAM DRIVE  
 ORLANDO, FL 32832  
 Phone: 407.481.8400  
 Fax: 407.481.0505  
 www.windoorinc.com

Dwg Title: 6000 SERIES - 4T HORIZONTAL CROSS SECTIONS

SIZE	Drn	By:	DWG NO.	REV
-	-	TJH	05-10-1208	-

SCALE: N.T.S. DATE: 9/27/05 SHEET 1 of 2



**WinDoor**  
INCORPORATED

7500 AMSTERDAM DRIVE  
ORLANDO, FL 32832

Phone: 407.481.8400  
Fax: 407.481.0505

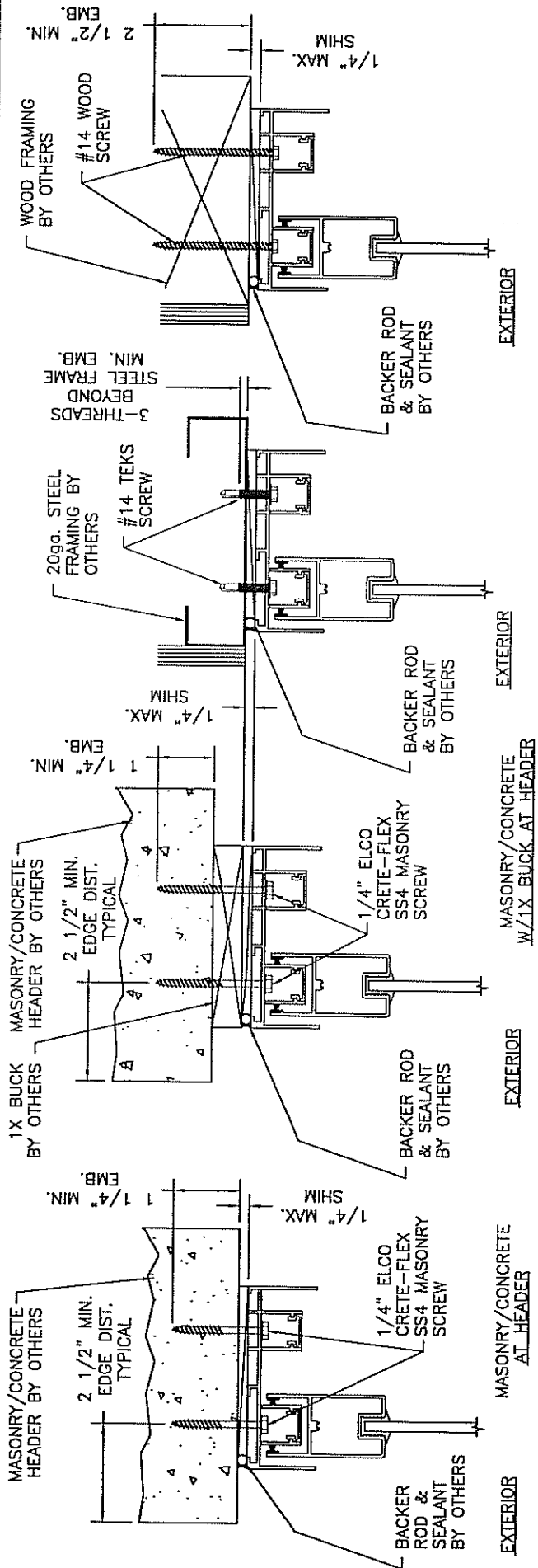
www.windoorinc.com

Dwg Title:

6000 SERIES - 4T HORIZONTAL CROSS SECTIONS

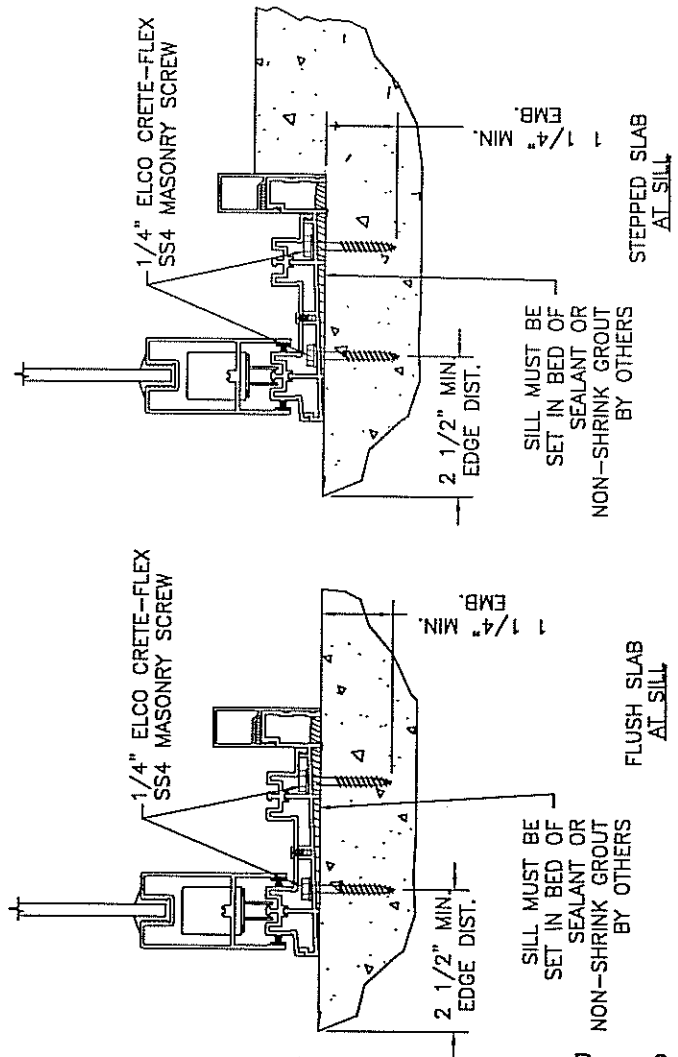
SIZE	Drn	By:	DWG NO.	REV
-	-	TJH	05-10-1208	-

SCALE	N.T.S.	DATE:	9/27/05	SHEET	2 of 2
-------	--------	-------	---------	-------	--------



STEEL FRAMING AT HEADER

WOOD FRAMING AT HEADER



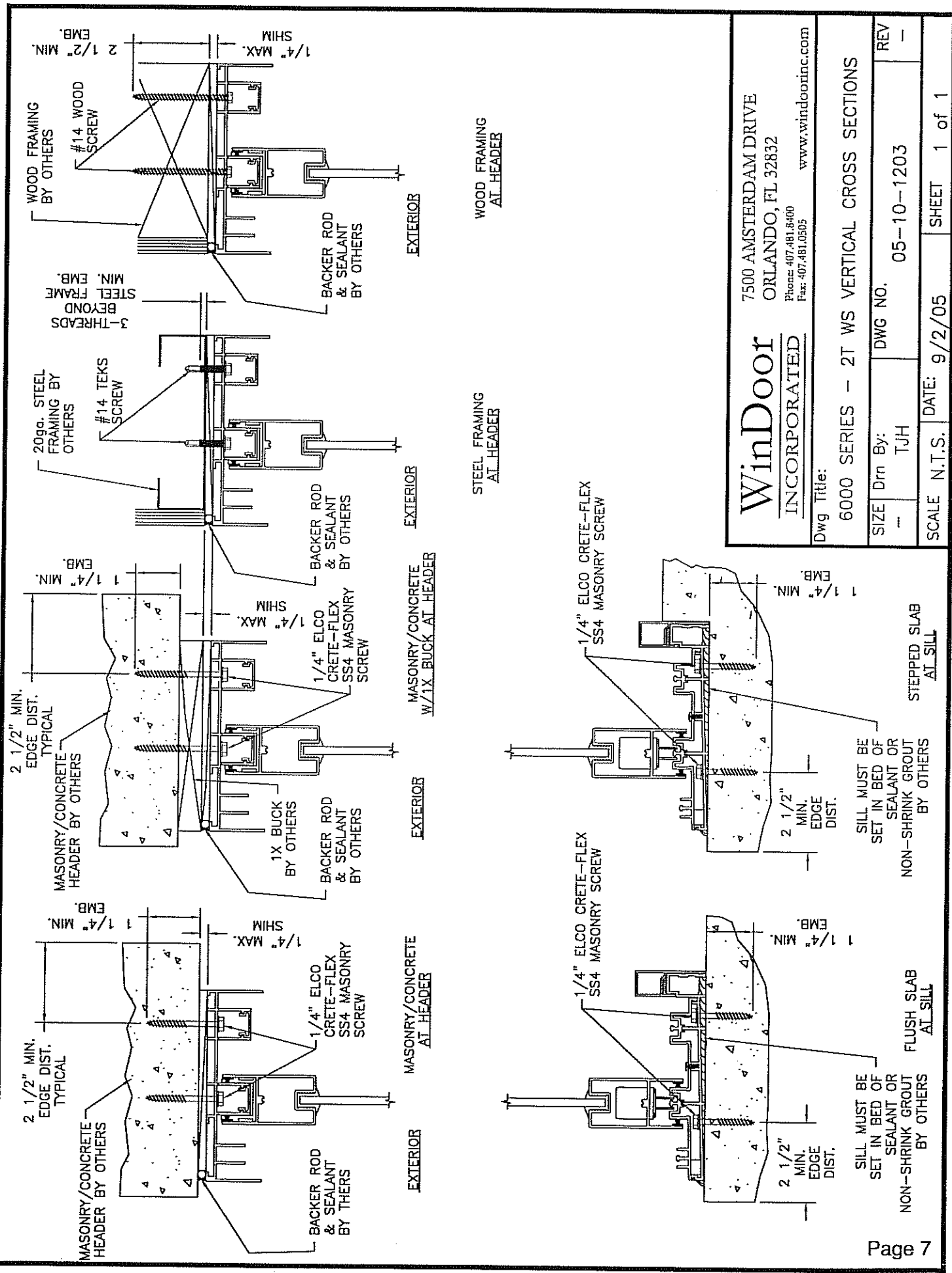
**WinDoor**  
INCORPORATED

7500 AMSTERDAM DRIVE  
ORLANDO, FL 32832  
Phone: 407.481.8400  
Fax: 407.481.0505  
www.windowinc.com

Dwg Title: 6000 SERIES - 2T VERTICAL CROSS SECTIONS

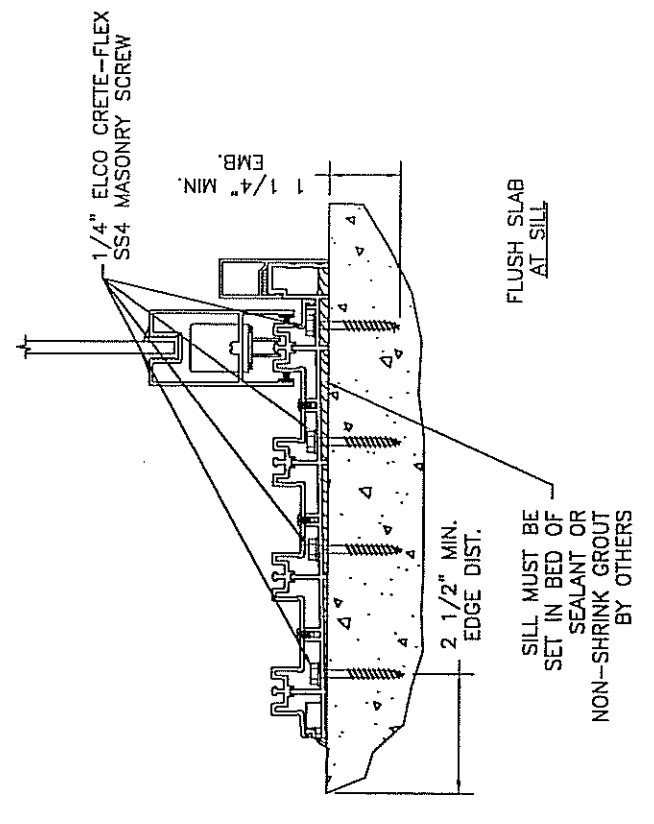
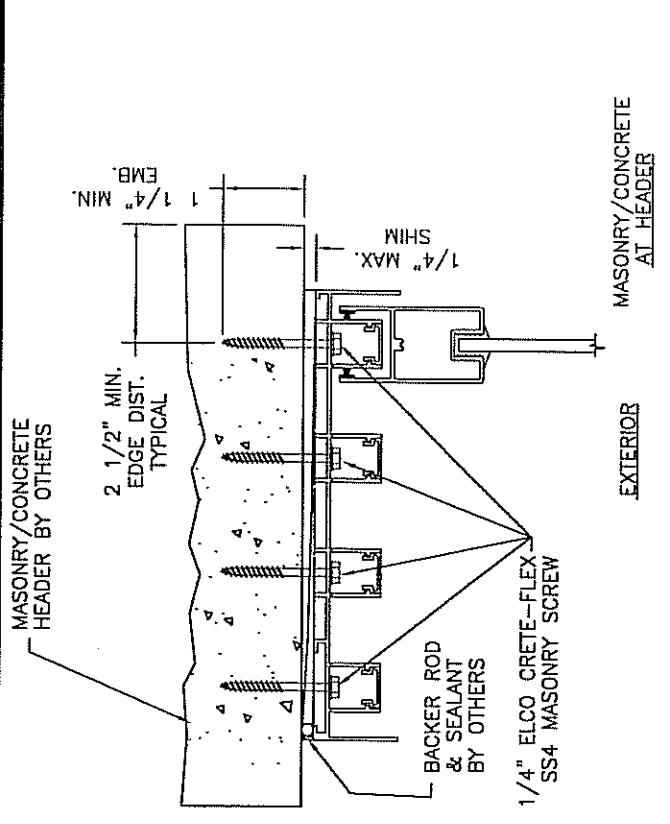
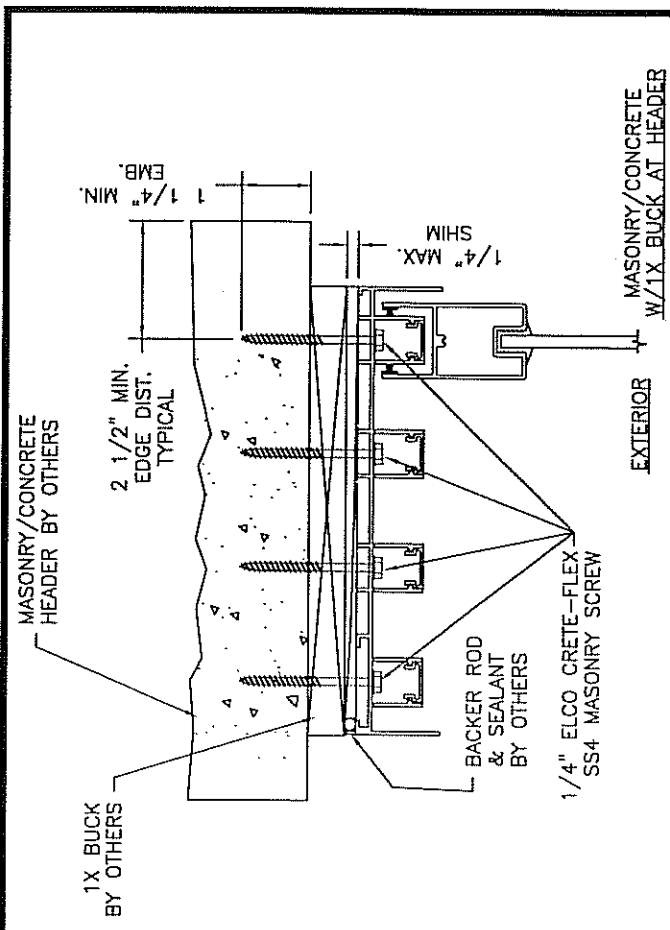
SIZE	Drn By:	DWG NO.	REV
-	TJH	05-10-1201	-

SCALE N.T.S. DATE: 9/27/05 SHEET 1 of 1



<b>WinDoor</b> INCORPORATED		7500 AMSTERDAM DRIVE ORLANDO, FL 32832 Phone: 407.481.8400 Fax: 407.481.0505 www.windoorinc.com	
Dwg Title: 6000 SERIES - 2T WS VERTICAL CROSS SECTIONS			
SIZE	Drn By:	DWG NO.	REV
--	TJH	05-10-1203	-
SCALE	N.T.S.	DATE:	9/2/05
		SHEET	1 of 1





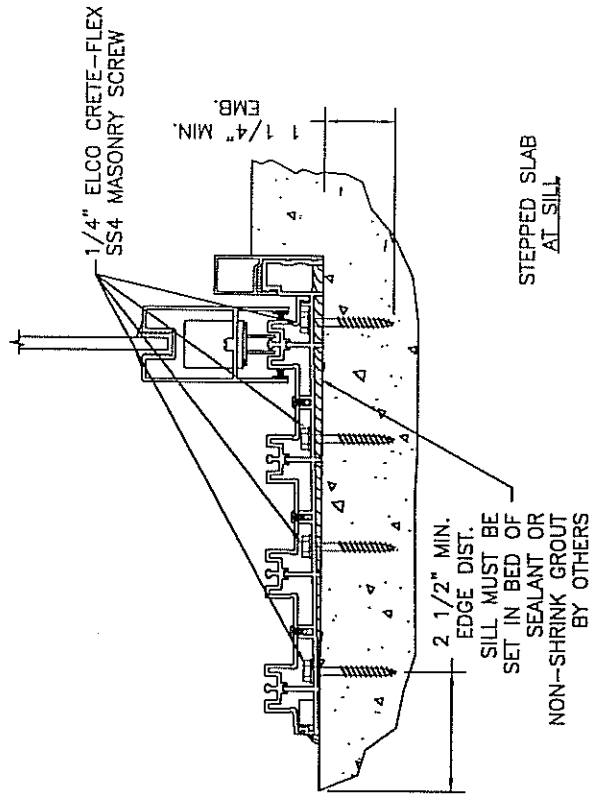
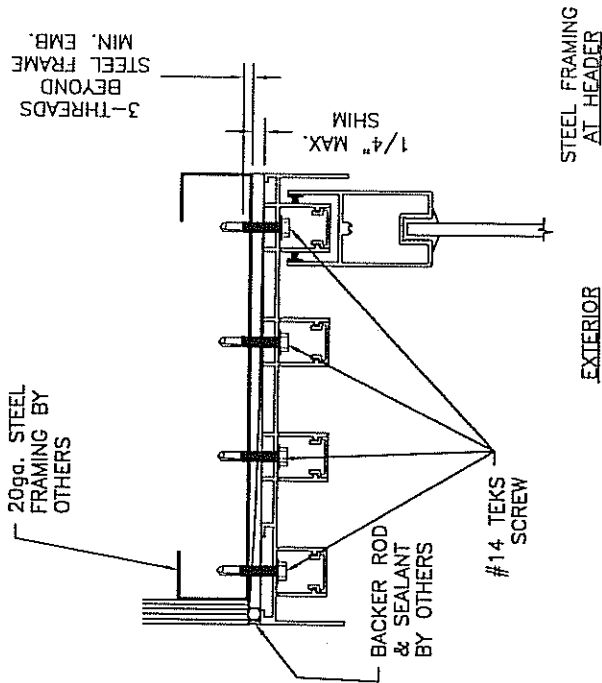
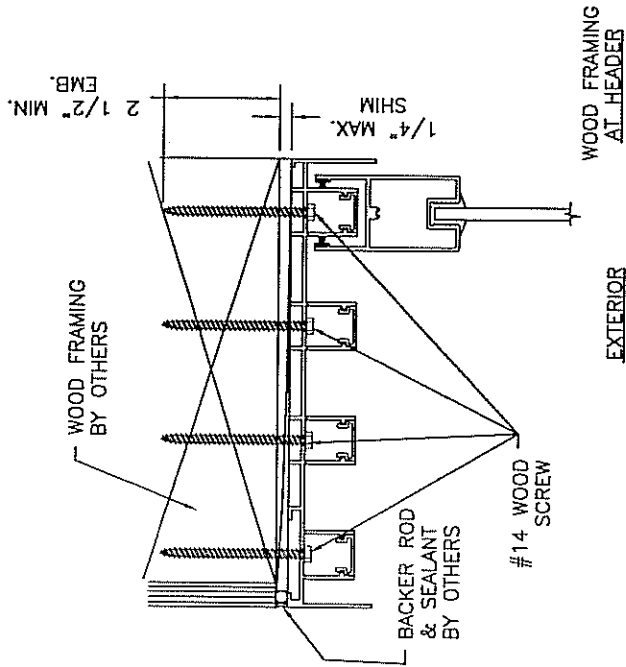
**WinDoor**  
 INCORPORATED

7500 AMSTERDAM DRIVE  
 ORLANDO, FL 32832  
 Phone: 407.481.8400  
 Fax: 407.481.0505  
 www.windoorinc.com

Dwg Title: 6000 SERIES - 4T VERTICAL CROSS SECTIONS

SIZE	Drn By:	DWG NO.	REV
-	TJH	05-10-1207	-

SCALE N.T.S. DATE: 9/27/05 SHEET 1 of 2



**WinDoor**  
INCORPORATED

7500 AMSTERDAM DRIVE  
ORLANDO, FL 32832

Phone: 407.481.8400  
Fax: 407.481.0505

www.windowinc.com

Dwg Title:

6000 SERIES - 4T VERTICAL CROSS SECTIONS

SIZE	Drn By:	DWG NO.	REV
-	TJH	05-10-1207	-

SCALE N.T.S. DATE: 9/27/05 SHEET 2 of 2