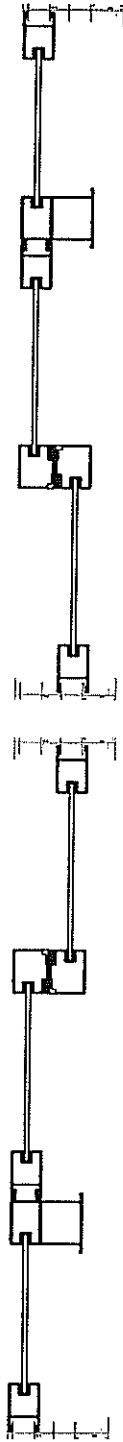


XX (AI, AOR)
XO (AI, BO)

XX REVERSE (AO, AR)
XO REVERSE (BOR, AIR)



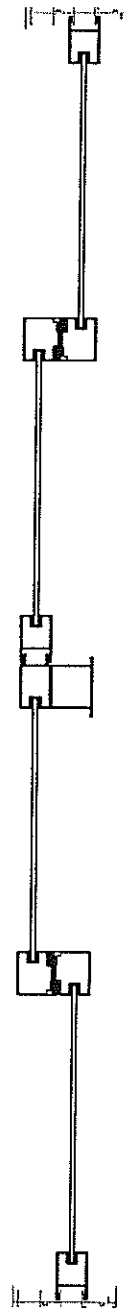
OXO (DI, AI, BO)

OXO REVERSE (BOR, AR, DIR)



XOO (AI, BO, DOR)

XOO REVERSE (DO, BOR, AIR)



OXXX (EOIK, EI, A, BO)
OXXX (AO, EI, A, AOR)

EXTERIOR

NOTE: ALL DOORS ARE VIEWED FROM EXTERIOR

WinDoor
INCORPORATED

7500 AMSTERDAM DRIVE
ORLANDO, FL 32832

Phone: 407.481.8400
Fax: 407.481.0505

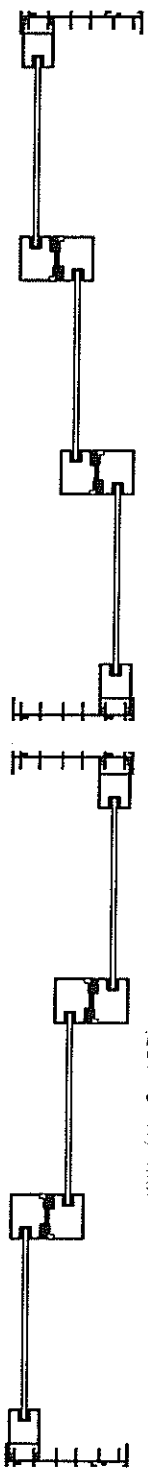
www.windoorinc.com

Dwg Title:

6000 SERIES - BYPASS DOOR CONFIGURATIONS
ALL 2-TRACK SYSTEMS

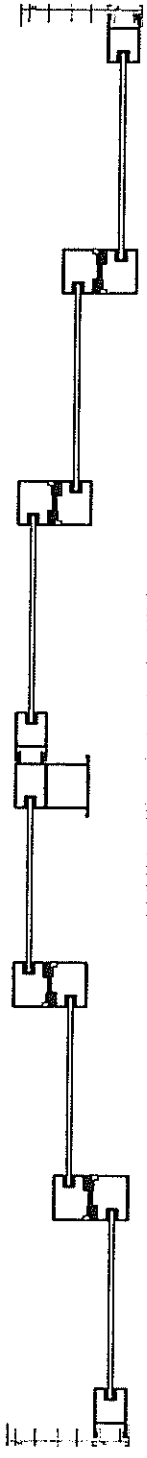
| | | | | |
|------|-----|-----|------------|-----|
| SIZE | Drm | By: | DWG NO. | REV |
| - | - | TJH | 05-08-1050 | - |

SCALE N.T.S. DATE: 8/01/05 SHEET 1 of 1

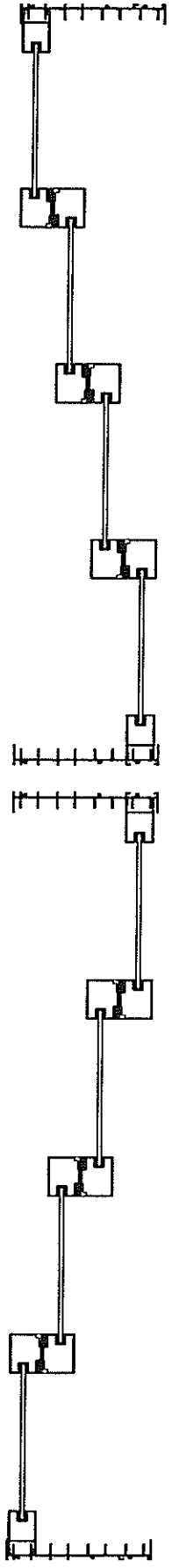


XXX (AI, C, AGR)
 XXG (AI, C, BC)

XXX REVERSE (AO, CR, AIR)
 OXX REVERSE (BOR, CR, AIR)

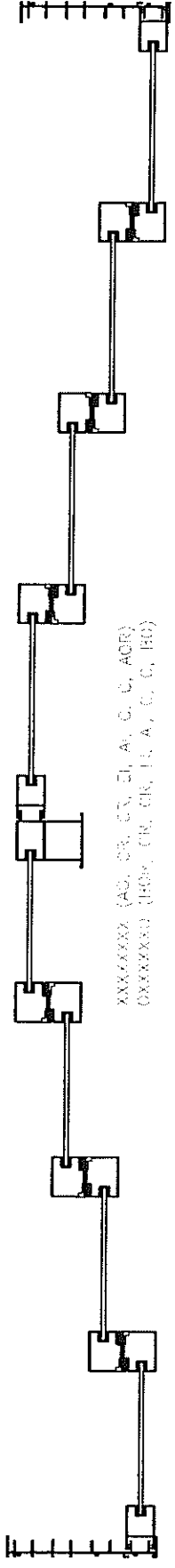


XXXXX (AG, BC, E, A, C, AGR)
 OXXXX (BOR, CR, E, AI, C, BC)



XXX (A, C, AGR)
 XXG (AI, C, BC)

XXX REVERSE (AO, CR, CR, AIR)
 OXXX REVERSE (BOR, CR, CR, AIR)



XXXXXXX (AG, CR, CR, E, AI, C, AGR)
 OXXXXXX (BOR, CR, CR, E, A, C, BC)

EXTERIOR

NOTE: ALL DOORS ARE VIEWED FROM EXTERIOR

WinDoor
 INCORPORATED

7500 AMSTERDAM DRIVE
 ORLANDO, FL 32832

Phone: 407.481.8400
 Fax: 407.481.0505

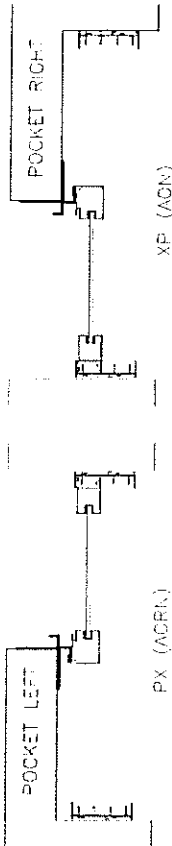
www.windowinc.com

Dwg Title:

6000 SERIES - BYPASS DOOR CONFIGURATIONS
 3 & 4 - TRACK SYSTEMS

| | | | |
|------|---------|------------|-----|
| SIZE | Drn By: | DWG NO. | REV |
| - | TJH | 05-08-1051 | - |

SCALE N.T.S. DATE: 8/01/05 SHEET 1 of 1



PX (ADRN)

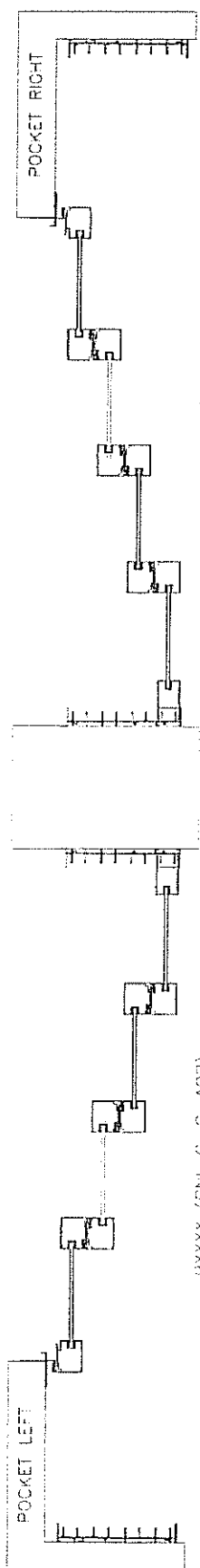


XP (ACN)



PXX (CNI, AOR)

PXXX (CNI, C, AOR)



PXXXX (CNI, C, AOR)

XXXXP (AO, CR, CNR)

XXXXP (AO, CR, CNR)

WinDoor
INCORPORATED

7500 AMSTERDAM DRIVE
ORLANDO, FL 32832
Phone: 407.481.8400
Fax: 407.481.0505
www.windowinc.com

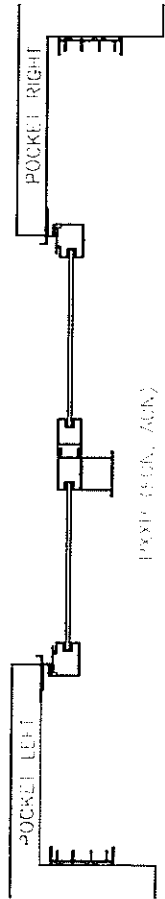
Dwg Title: 6000 SERIES - POCKET DOOR CONFIGURATIONS
2, 3 & 4 - TRACK OUTSIDE POCKET SYSTEMS

| | | | |
|------|---------|------------|-----|
| SIZE | Drn By: | DWG NO. | REV |
| - | TJH | 05-08-1052 | - |

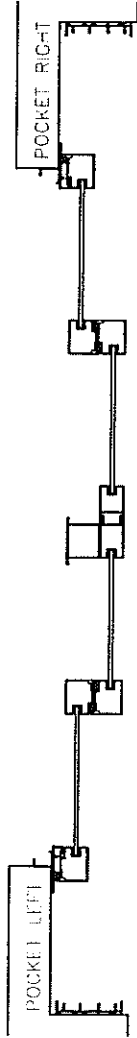
SCALE N.T.S. DATE: 8/03/05 SHEET 1 of 1

EXTERIOR

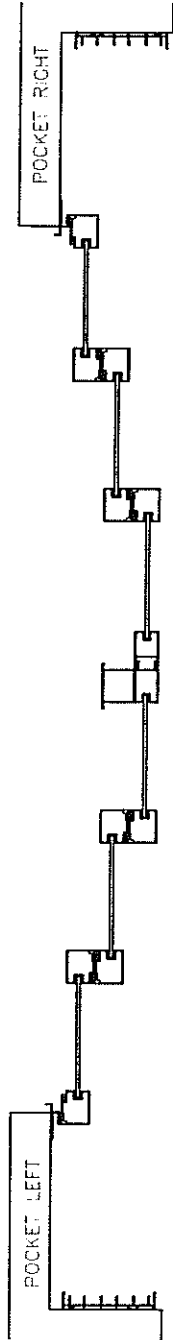
NOTE: ALL DOORS ARE VIEWED FROM EXTERIOR



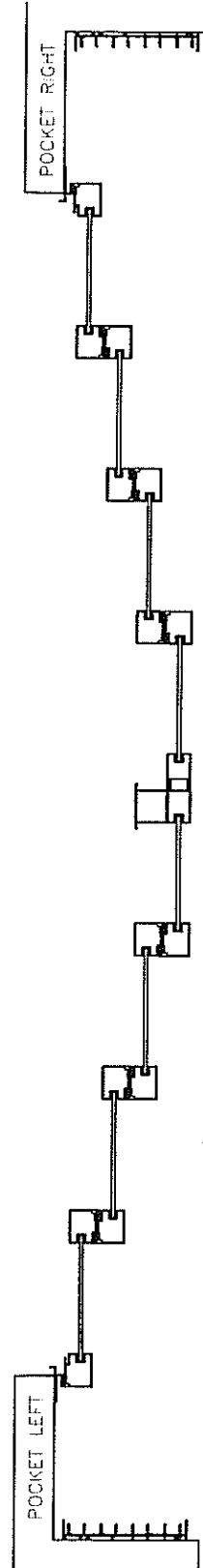
PXXXXP (CN, EDR, AG, CR, CNR)



PXXXXP (CN, EDR, AG, CR, CNR)



PXXXXXP (CN, C, EDR, AG, CR, CNR)



PXXXXXP (CN, C, EDR, AG, CR, CNR)

EXTERIOR

NOTE: ALL DOORS ARE VIEWED FROM EXTERIOR

WinDoor
INCORPORATED

7500 AMSTERDAM DRIVE
ORLANDO, FL 32832

Phone: 407-481-8400
Fax: 407-481-0505

www.windoorinc.com

Dwg Title:

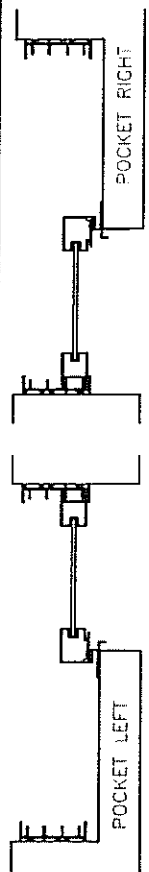
6000 SERIES - POCKET DOOR CONFIGURATIONS
2, 3 & 4 - TRACK DOUBLE OUTSIDE POCKET SYSTEMS

| | | | |
|------|---------|------------|-----|
| SIZE | Dwg By: | DWG NO. | REV |
| - | TJH | 05-08-1053 | - |

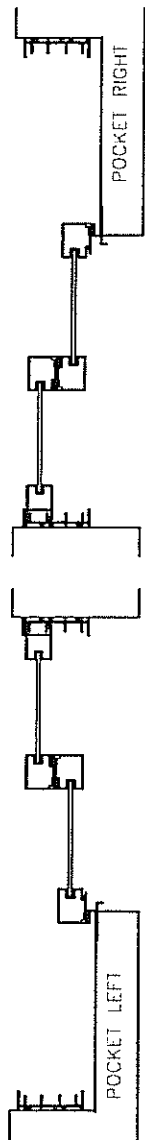
SCALE N.T.S.

DATE: 8/03/05

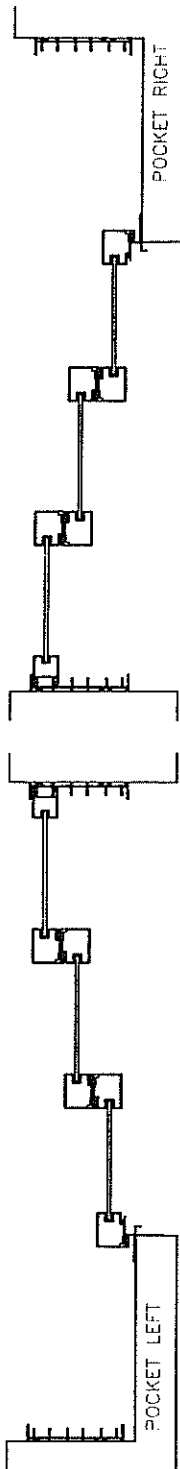
SHEET 1 of 1



PX (AIR)

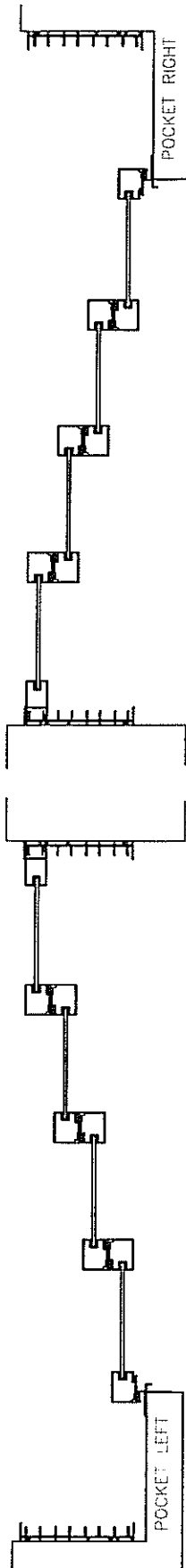


XXP (AI, CO)



PXXX (COR, CR, AIR)

XXXX (AI, C, CO)



PXXXX (COR, CR, CR, AIR)

XXXXX (AI, C, C, CO)

WinDoor
INCORPORATED

7500 AMSTERDAM DRIVE
ORLANDO, FL 32832

Phone: 407.481.8400

Fax: 407.481.0505

www.windowinc.com

Dwg Title:

6000 SERIES - POCKET DOOR CONFIGURATIONS
2, 3 & 4 - TRACK INSIDE POCKET SYSTEMS

| | | | | |
|------|-----|-----|------------|-----|
| SIZE | Drn | By: | DWG NO. | REV |
| - | - | TJH | 05-08-1054 | - |

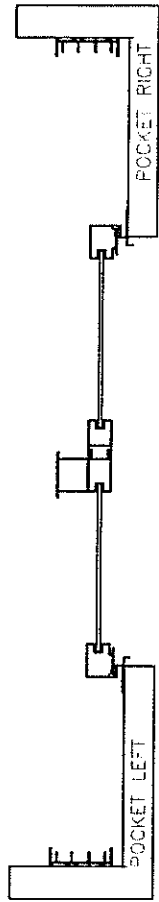
SCALE N.T.S.

DATE: 8/03/05

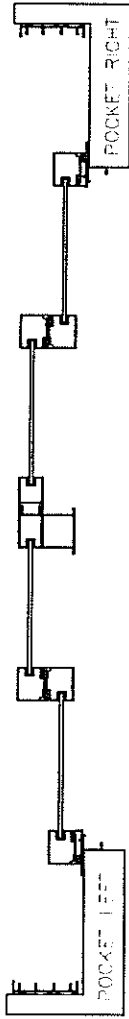
SHEET 1 of 1

EX-L-RIOR

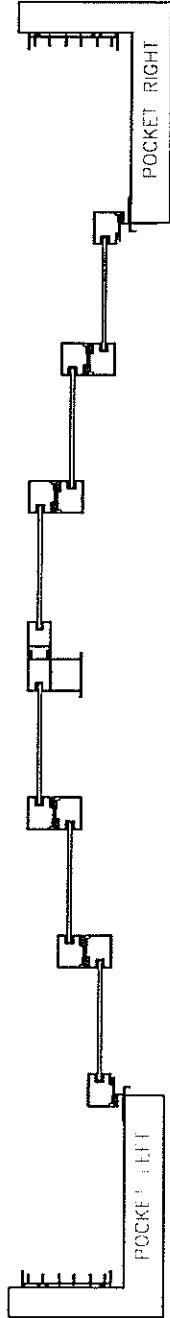
NOTE: ALL DOORS ARE VIEWED FROM EXTERIOR



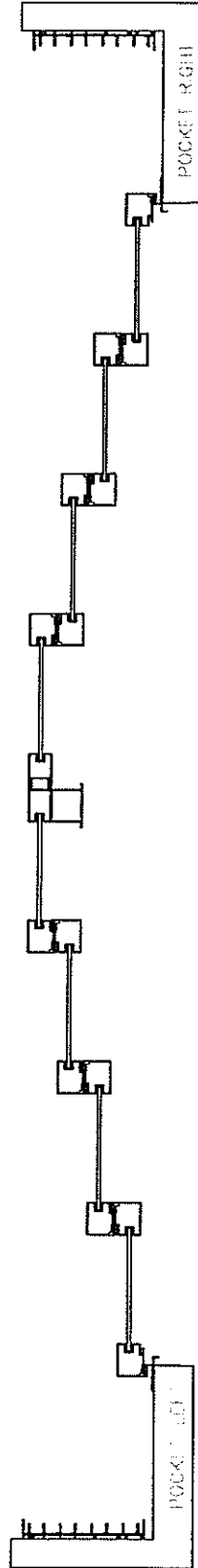
-XXX- (1, A)



XXXXXP (COR, E, A, C)



XXXXXXP (COR, CR, E, A, C, CO)



XXXXXXXXP (COR, CR, E, A, C, CO)

EXTERIOR

NOTE: ALL DOORS ARE VIEWED FROM EXTERIOR

WinDoor
INCORPORATED

7500 AMSTERDAM DRIVE
ORLANDO, FL 32832

Phone: 407.481.8400
Fax: 407.481.0505

www.windoorinc.com

Dwg Title:

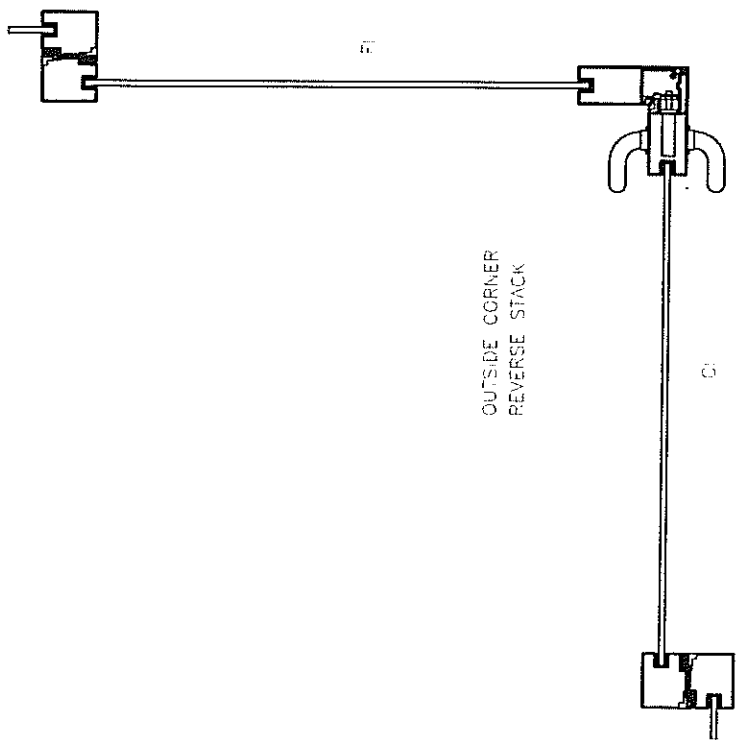
6000 SERIES - POCKET DOOR CONFIGURATIONS
2, 3 & 4 -TRACK DOUBLE INSIDE POCKET SYSTEMS

| | | |
|---------|------------|-----|
| SIZE | Dwg No. | REV |
| - | 05-08-1055 | - |
| Drn By: | | |
| TJH | | |

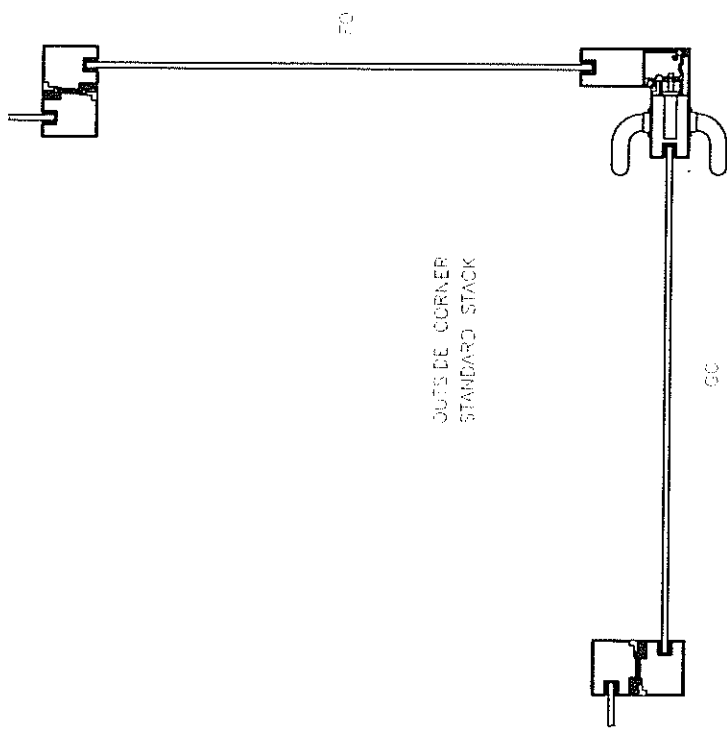
SCALE N.T.S.

DATE: 8/04/05

SHEET 1 of 1



OUTSIDE CORNER
REVERSE STACK



OUTSIDE CORNER
STANDARD STACK

EXTERIOR

WinDoor
INCORPORATED

7500 AMSTERDAM DRIVE
ORLANDO, FL 32832

Phone: 407.481.8400
Fax: 407.481.0505

www.windoorinc.com

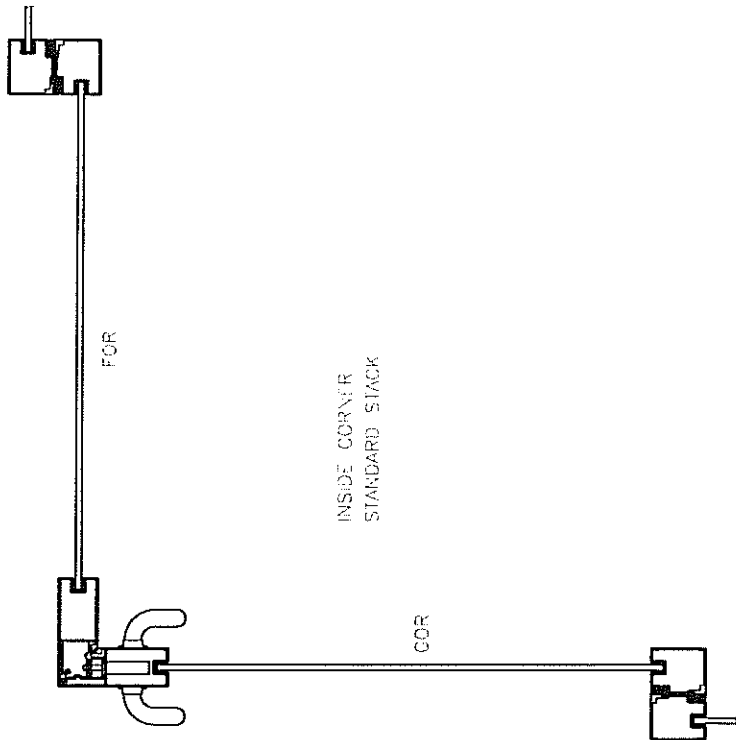
Dwg Title:

6000 SERIES - CORNER DOOR CONFIGURATIONS
90° OUTSIDE CORNER SYSTEM

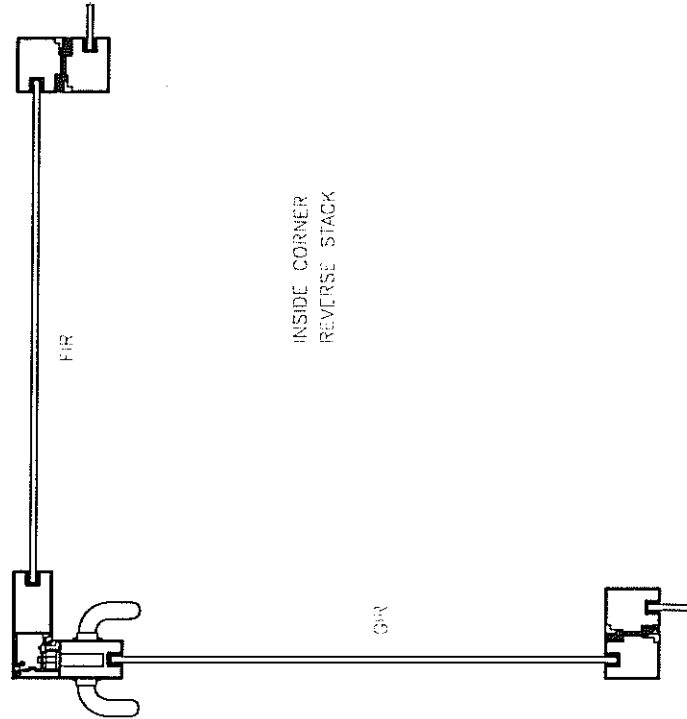
| | | | | |
|------|-----|-----|------------|-----|
| SIZE | Drn | By: | DWG NO. | REV |
| - | | TJH | 05-08-1056 | - |

SCALE N.T.S. DATE: 8/04/05 SHEET 1 of 1

NOTE: ALL DOORS ARE VIEWED FROM EXTERIOR



INSIDE CORNER
STANDARD STACK

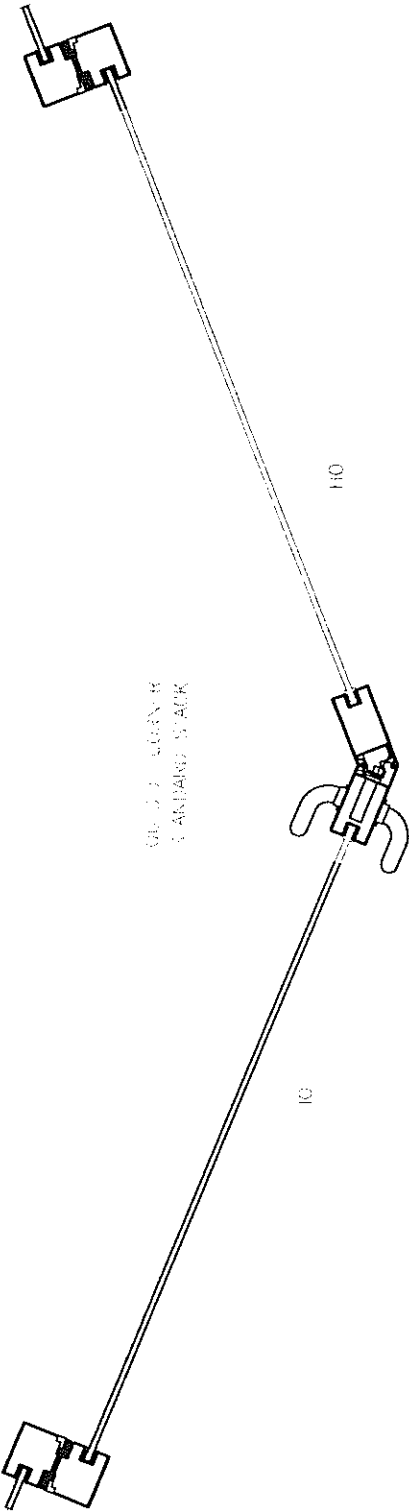


INSIDE CORNER
REVERSE STACK

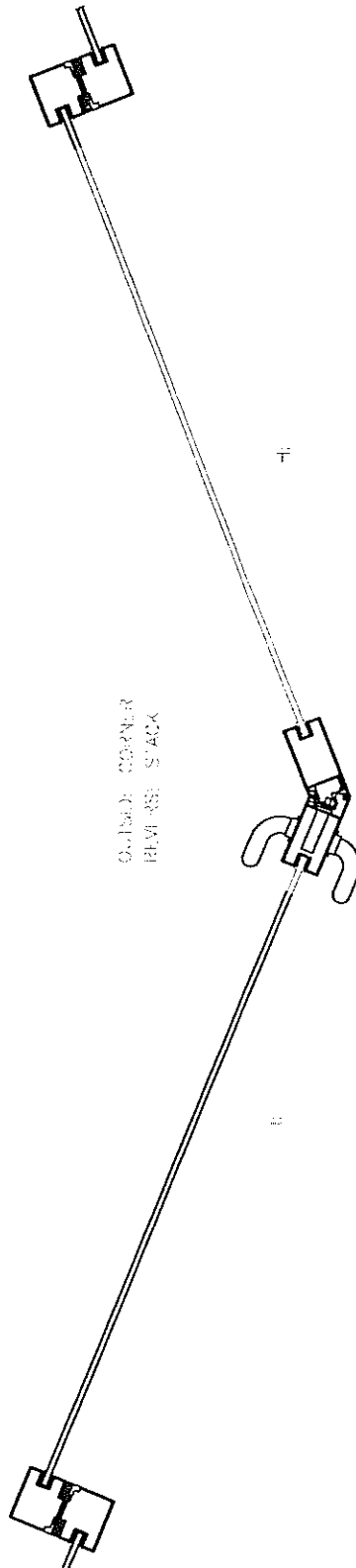
EXTERIOR

NOTE: ALL DOORS ARE VIEWED FROM EXTERIOR

| | |
|---|-------------------------------|
| WinDoor INCORPORATED 7500 AMSTERDAM DRIVE ORLANDO, FL 32832 Phone: 407.481.8400 Fax: 407.481.0505 www.windoorinc.com | |
| Dwg Title: 6000 SERIES - CORNER DOOR CONFIGURATIONS 90° INSIDE CORNER SYSTEM | |
| SIZE - | Dwg No. 05-08-1057 |
| Drn By: TJH | REV - |
| SCALE N.T.S. | DATE: 8/04/05 SHEET 1 of 1 |



VIEW: ALLEN-B
STANDARD STACK

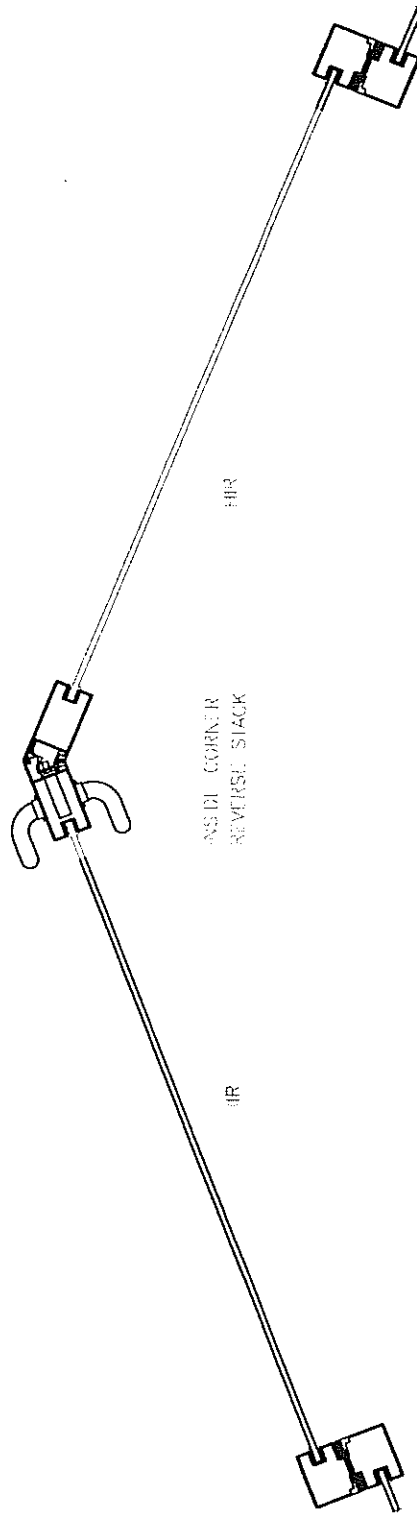
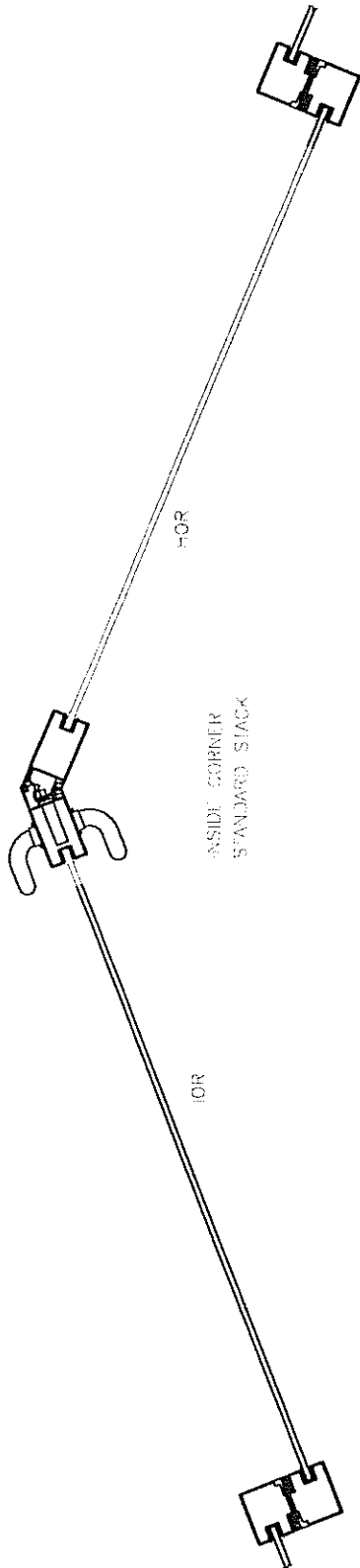


VIEW: CORNER
REVERSE STACK

EXTERIOR

NOTE: ALL DOORS ARE VIEWED FROM EXTERIOR

| | | | |
|---|---------|----------------------|--------------------|
| WinDoor | | 7500 AMSTERDAM DRIVE | |
| INCORPORATED | | ORLANDO, FL 32832 | |
| | | Phone: 407.481.8400 | www.windoorinc.com |
| | | Fax: 407.481.0505 | |
| Dwg Title: 6000 SERIES - CORNER DOOR CONFIGURATIONS | | | |
| 135' OUTSIDE CORNER SYSTEM | | | |
| SIZE | Dwn By: | DWG NO. | REV |
| - | T/JH | 05-08-1058 | - |
| SCALE | N.T.S. | DATE: 8/04/05 | SHEET 1 of 1 |



EXTRIOR

NOTE: ALL DOORS ARE VIEWED FROM EXTERIOR

WinDoor
INCORPORATED

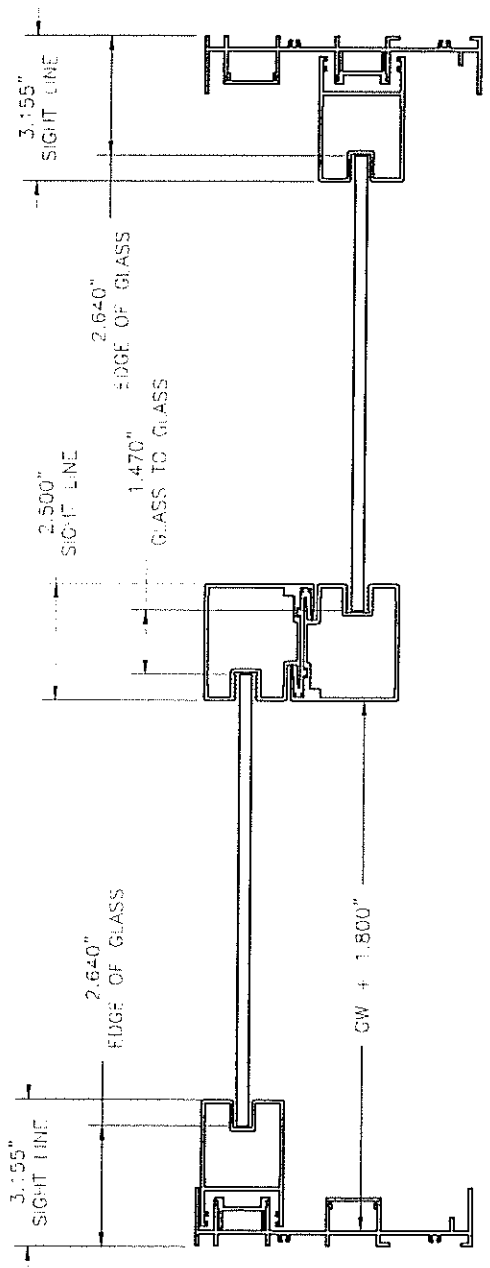
7500 AMSTERDAM DRIVE
ORLANDO, FL 32832
Phone: 407.481.8400
Fax: 407.481.0505
www.windoorinc.com

Dwg Title:

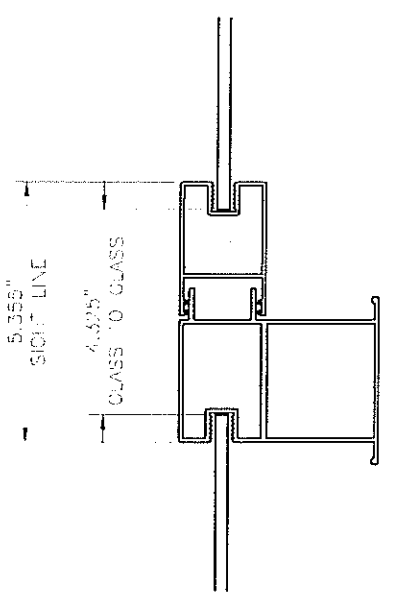
6000 SERIES - CORNER DOOR CONFIGURATIONS
135° INSIDE CORNER SYSTEM

| | | | | |
|------|-----|-----|------------|-----|
| SIZE | Drm | By: | DWG NO. | REV |
| - | | TJH | 05-08-1059 | - |

SCALE N.T.S. DATE: 8/04/05 SHEET 1 of 1



XX DOORS GW - (W - 6.75") / 2
 XXX DOORS GW (W - 8.22") / 3
 XXX DOORS GW - (W - 9.69") / 4
 XXX DOORS GW = (W - 11.075") / 5
 XXX DOORS GW - (W - 12.525") / 6

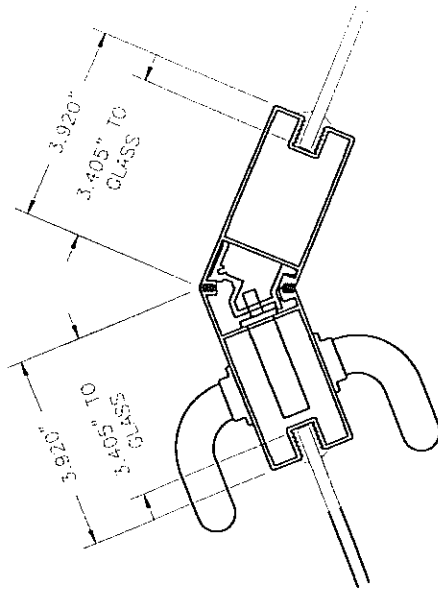


WinDoor
INCORPORATED
 7500 AMSTERDAM DRIVE
 ORLANDO, FL 32832
 Phone: 407.481.8400
 Fax: 407.481.0505
 www.windoorinc.com

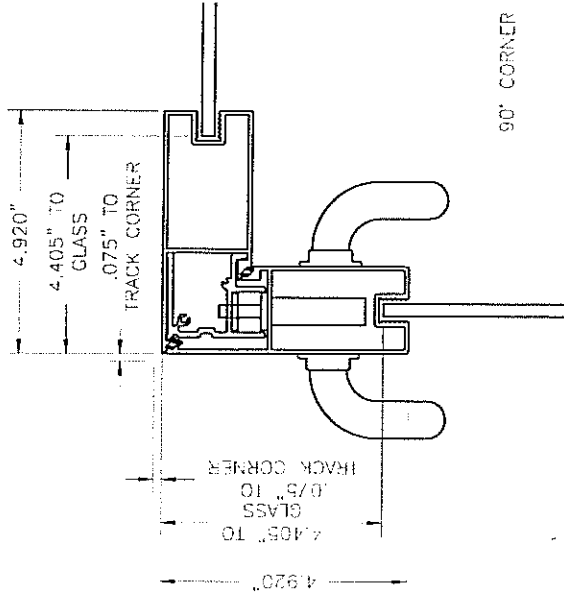
Dwg Title: 6000 SERIES - SIGHTLINE DIMENSIONS
 BYPASS SYSTEM

| | | | |
|------|---------|------------|-----|
| SIZE | Drn By: | DWG NO. | REV |
| - | TJH | 05-08-1060 | - |

SCALE N.T.S. DATE: 8/04/05 SHEET 1 of 1



135° CORNER DOOR



90° CORNER DOOR

WinDoor
INCORPORATED

7500 AMSTERDAM DRIVE
 ORLANDO, FL 32832

Phone: 407.481.8400
 Fax: 407.481.0505

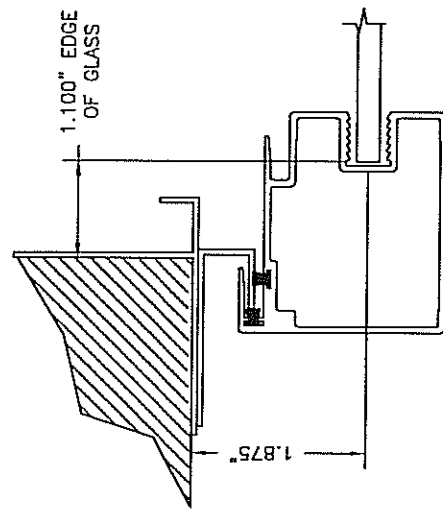
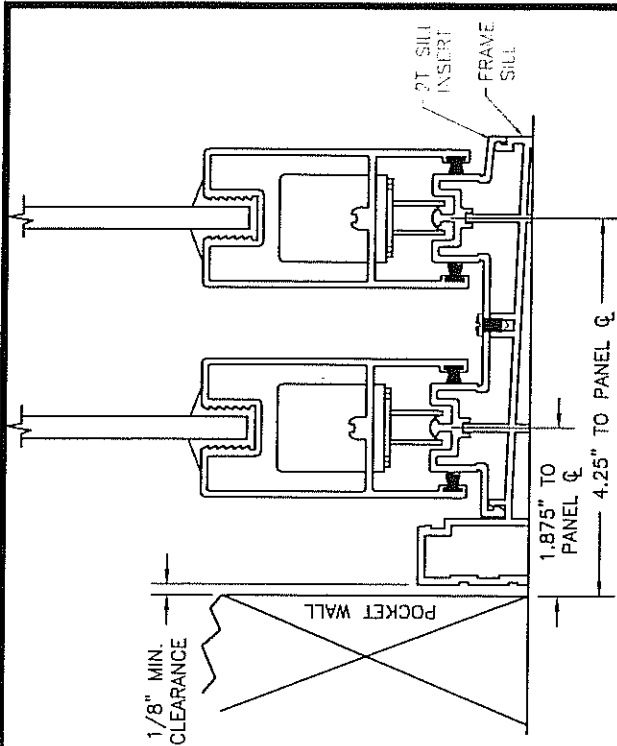
www.windoorinc.com

Dwg Title:

6000 SERIES - SIGHTLINE DIMENSIONS
 135° AND 90° SYSTEMS

| | | | | |
|------|-----|-----|------------|-----|
| SIZE | Drn | By: | DWG NO. | REV |
| - | - | TJH | 05-08-1061 | - |

SCALE N.T.S. DATE: 8/04/05 SHEET 1 of 1

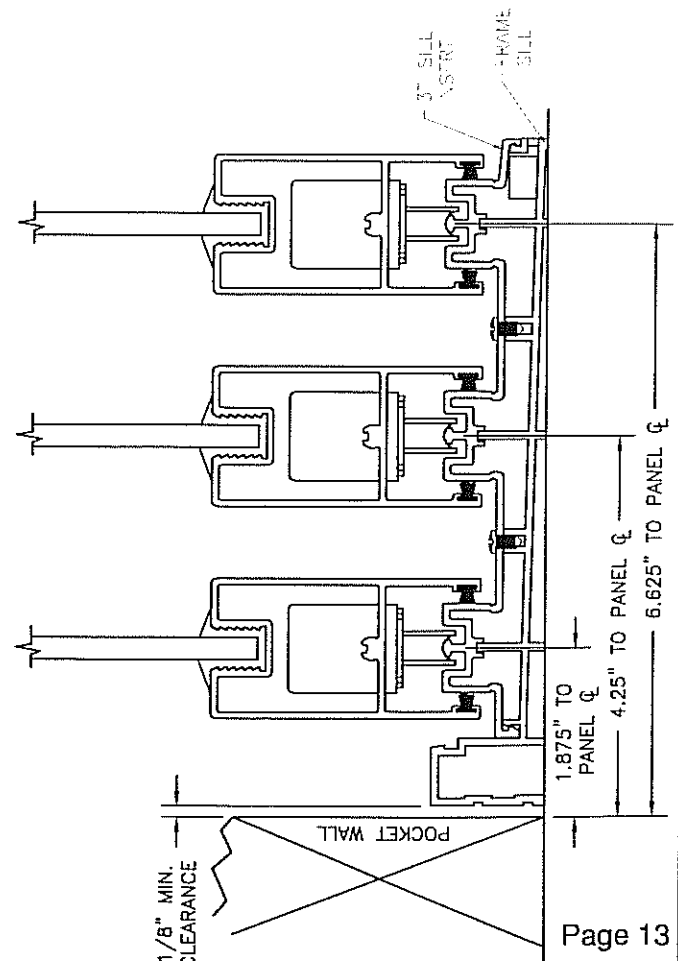
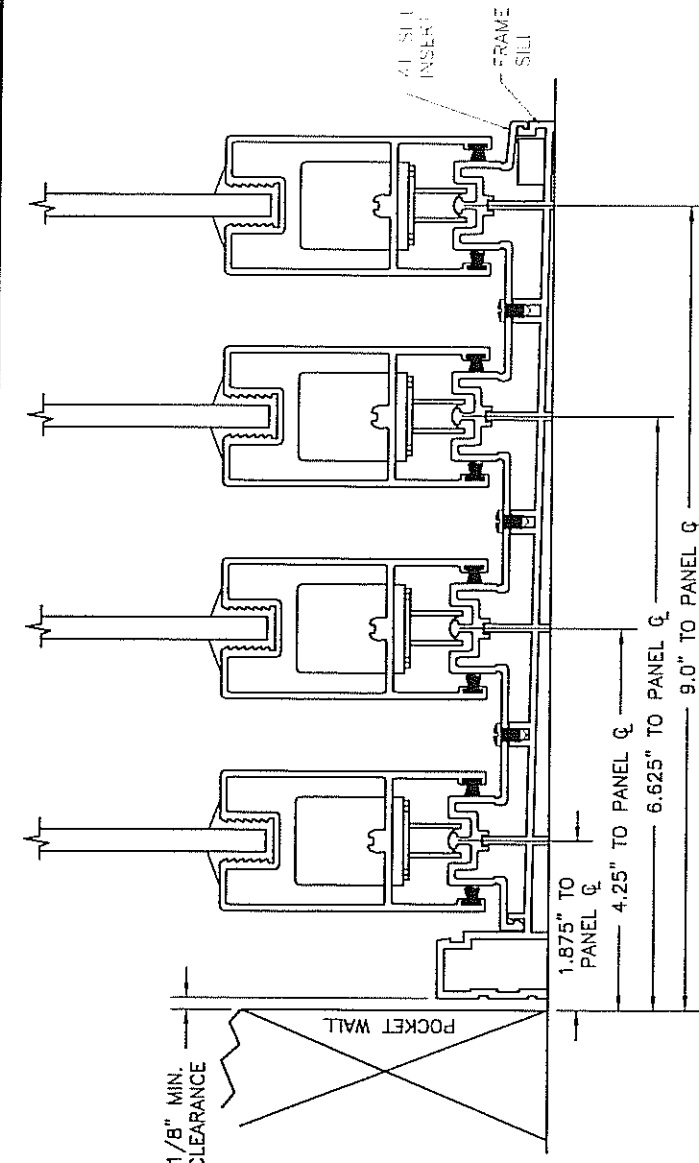


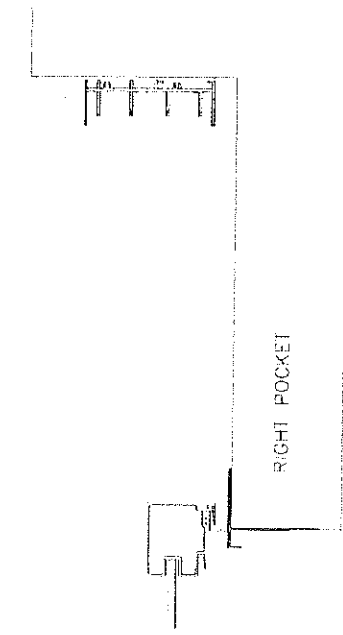
WinDoor
 INCORPORATED
 7500 AMSTERDAM DRIVE
 ORLANDO, FL 32832
 Phone: 407-481-8400
 Fax: 407-481-0505
 www.windowinc.com

Dwg Title: 6000 SERIES - POCKET LAYOUT DIMENSIONS

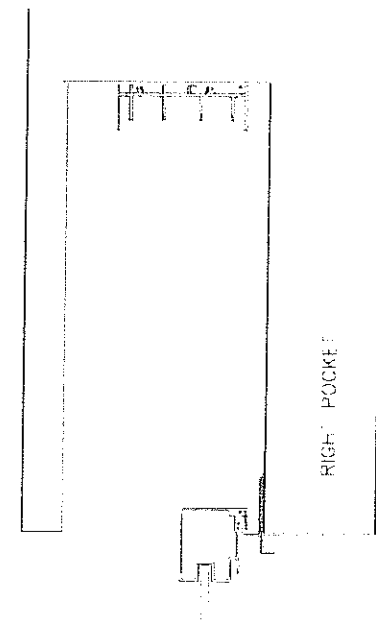
| | | | |
|------|---------|------------|-----|
| SIZE | Drn By: | DWG NO. | REV |
| - | TJH | 05-08-1094 | - |

SCALE N.T.S. DATE: 8/12/05 SHEET 1 of 1





INSIDE POCKET / OPEN POCKET

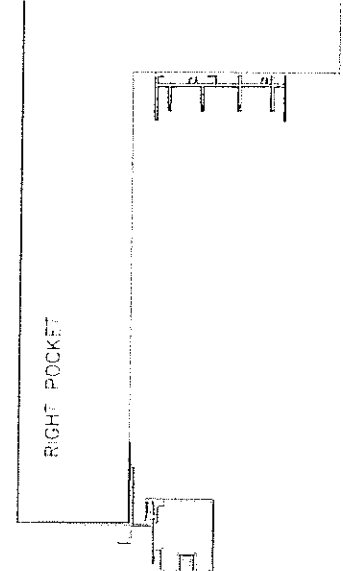


INSIDE POCKET / CLOSED POCKET

EXTERIOR

| | | | |
|---|--------|---|--------------|
| WinDoor INCORPORATED | | 7500 AMSTERDAM DRIVE ORLANDO, FL 32832 Phone: 407.481.8400 Fax: 407.481.0505 www.windoorinc.com | |
| Dwg Title: 6000 SERIES - POCKET OPTIONS | | | |
| INSIDE POCKET - OPEN / CLOSED POCKETS | | | |
| SIZE | Drn | By: | REV |
| - | - | TJH | - |
| DWG NO. | | 05-08-1062 | |
| SCALE | N.T.S. | DATE: 8/04/05 | SHEET 1 of 1 |

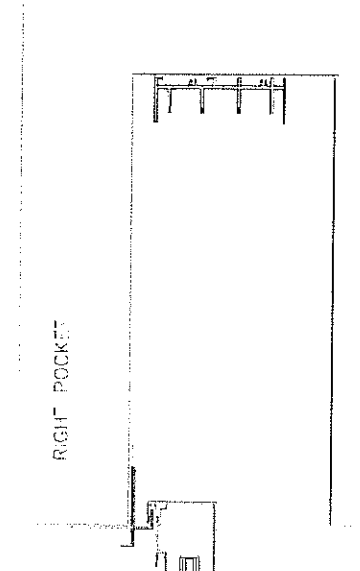
NOTE: ALL DOORS ARE VIEWED FROM EXTERIOR



LEFT POCKET

RIGHT POCKET

DU SIDE POCKET / OPEN POCKET



LEFT POCKET

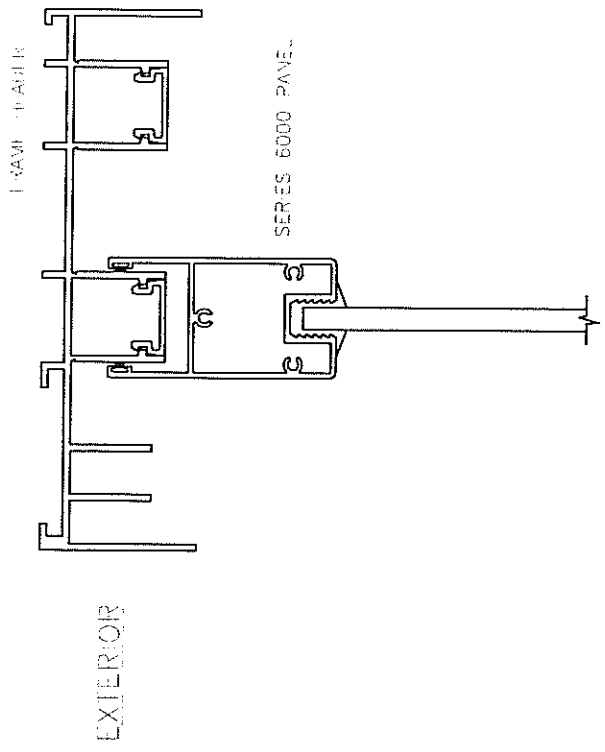
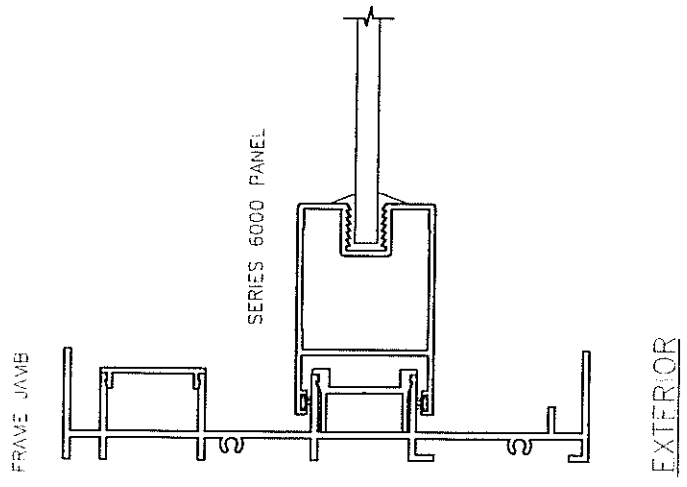
RIGHT POCKET

OUTSIDE POCKET / CLOSED POCKET

EXTERIOR

| | | | |
|---|------------------|---|----------|
| WinDoor INCORPORATED | | 7500 AMSTERDAM DRIVE ORLANDO, FL 32832 Phone: 407.481.8400 Fax: 407.481.0505 www.windowinc.com | |
| Dwg Title: 6000 SERIES - POCKET OPTIONS | | | |
| OUTSIDE POCKET - OPEN / CLOSED POCKETS | | | |
| SIZE - | Dwn By: TJH | DWG NO. 05-08-1063 | REV - |
| SCALE N.T.S. | DATE: 8/04/05 | SHEET 1 of 1 | |

NOTE: ALL DOORS ARE VIEWED FROM EXTERIOR



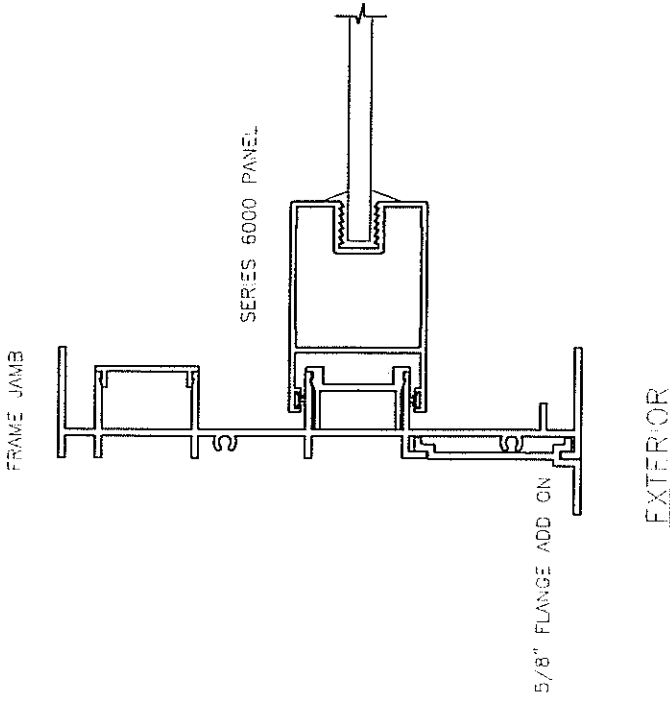
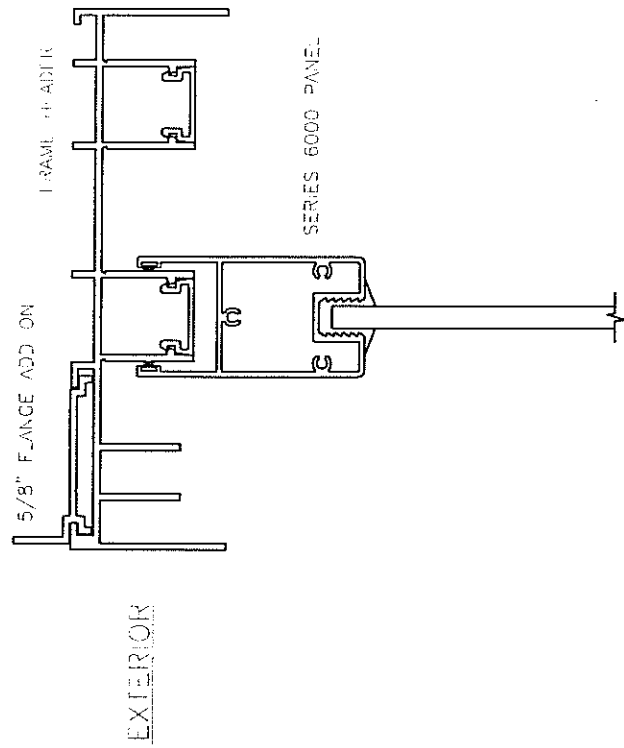
NOTE:
 WS/AS FRAME SHOWN. CAN BE
 USED ON 21, 3" AND 4" FRAMES.

WinDoor
 INCORPORATED
 7500 AMSTERDAM DRIVE
 ORLANDO, FL 32832
 Phone: 407.481.8400
 Fax: 407.481.0505
 www.windowinc.com

Dwg Title: 6000 SERIES - FRAME OPTIONS
 FRAME HEADER & JAMB - FLUSH

| | | | | |
|------|-----|-----|------------|-----|
| SIZE | Drn | By: | DWG NO. | REV |
| -- | | TJH | 05-08-1064 | -- |

SCALE N.T.S. DATE: 8/04/05 SHEET 1 of 1



NOTE:
 WS/MS FRAME SHOWN CAN BE
 USED ON 2, 3, 5, AND 41 FRAMES

WinDoor
 INCORPORATED

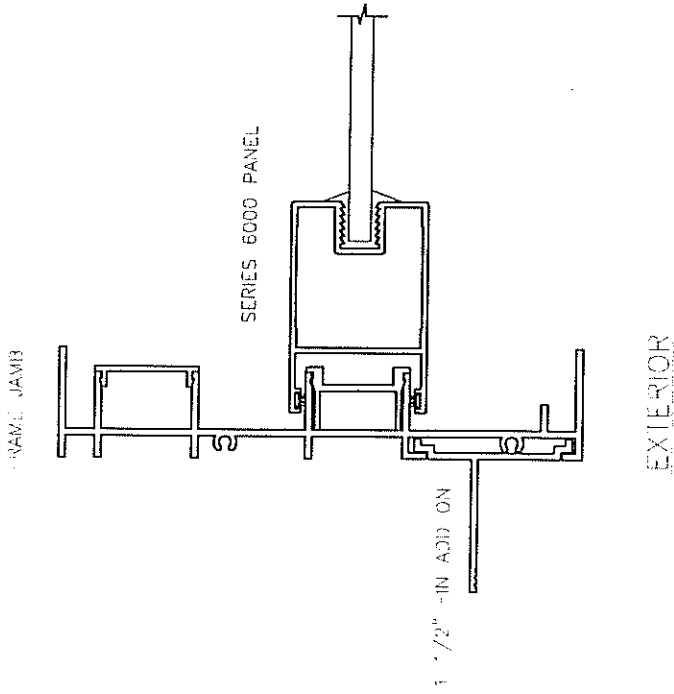
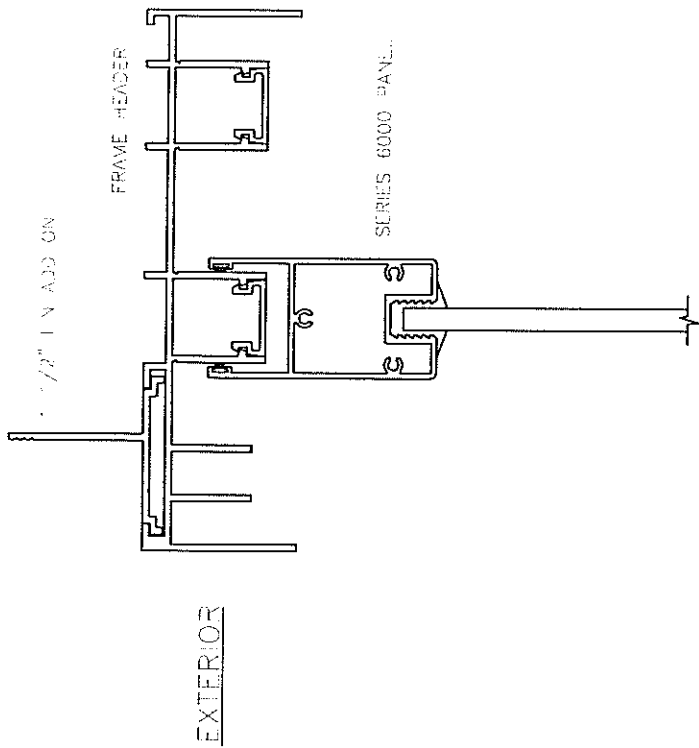
7500 AMSTERDAM DRIVE
 ORLANDO, FL 32832
 Phone: 407.481.8400
 Fax: 407.481.0505
www.windoorinc.com

Dwg Title:

6000 SERIES - FRAME OPTIONS
 FRAME HEADER & JAMB - 5/8" FLANGE

| | | |
|------|------------|-----|
| SIZE | Dwg No. | REV |
| - | TJH | - |
| | DWG NO. | REV |
| | 05-08-1065 | - |

SCALE N.T.S. DATE: 8/04/05 SHEET 1 of 1



NO. 1
 WINDOW FRAME SHOWN CAN BE
 USED ON 21, 31 AND 41 FRAMES.

WinDoor
 INCORPORATED

7500 AMSTERDAM DRIVE
 ORLANDO, FL 32832

Phone: 407.481.8400

Fax: 407.481.0505

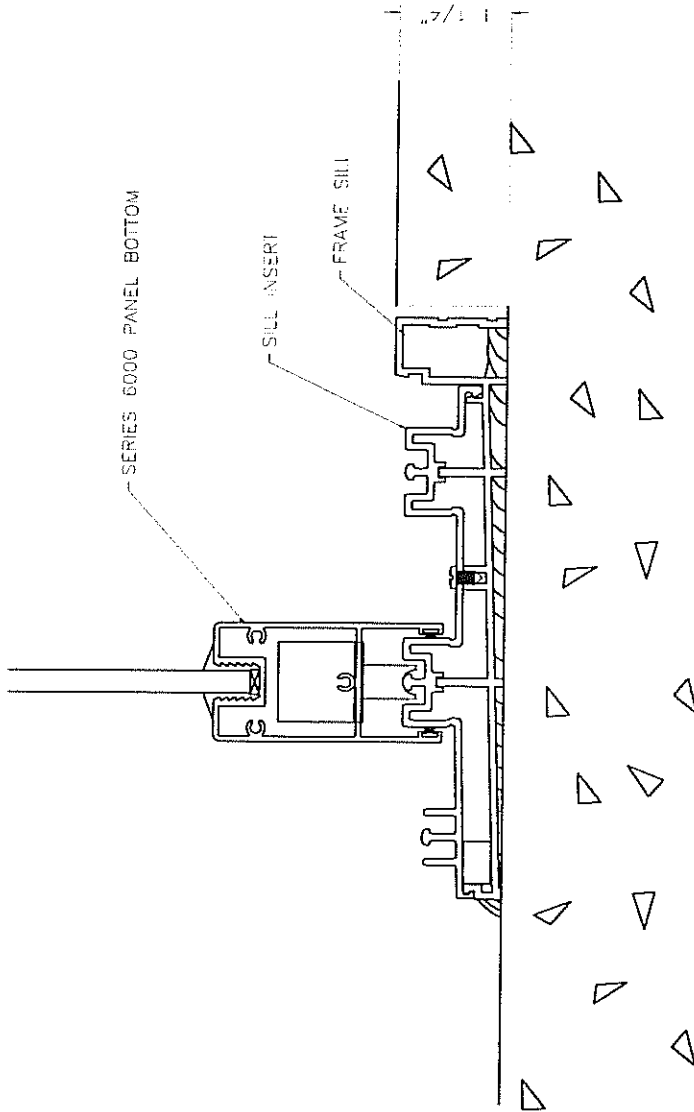
www.windowinc.com

Dwg Title:

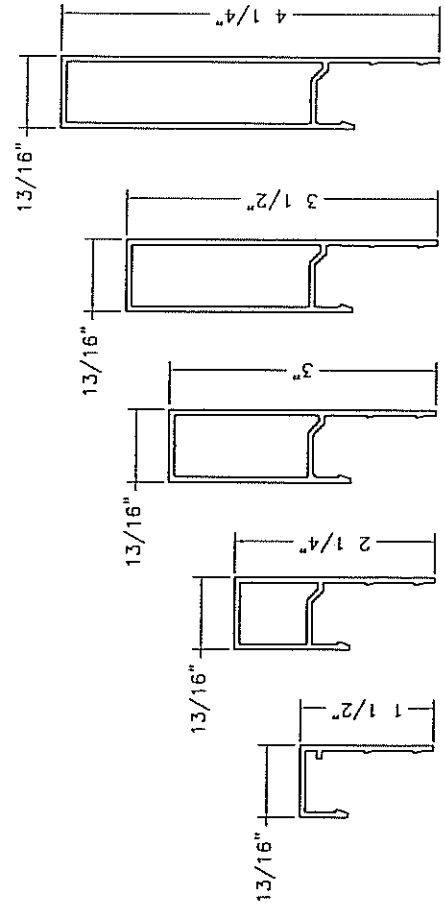
6000 SERIES - FRAME OPTIONS
 FRAME HEADER & JAMB - 1 1/2" FIN

| | | | |
|------|---------|------------|-----|
| SIZE | Drn By: | DWG NO. | REV |
| - | TJH | 05-08-1066 | - |

SCALE N.T.S. DATE: 8/04/05 SHEET 1 of 1



NOTE:
 WS FRAME SHOWN. CAN BE USED
 ON NS, 21, 31 AND 41 FRAMES.



SILL R5TR OPTIONS

WinDoor
 INCORPORATED

7500 AMSTERDAM DRIVE
 ORLANDO, FL 32832

Phone: 407.481.8400
 Fax: 407.481.0505

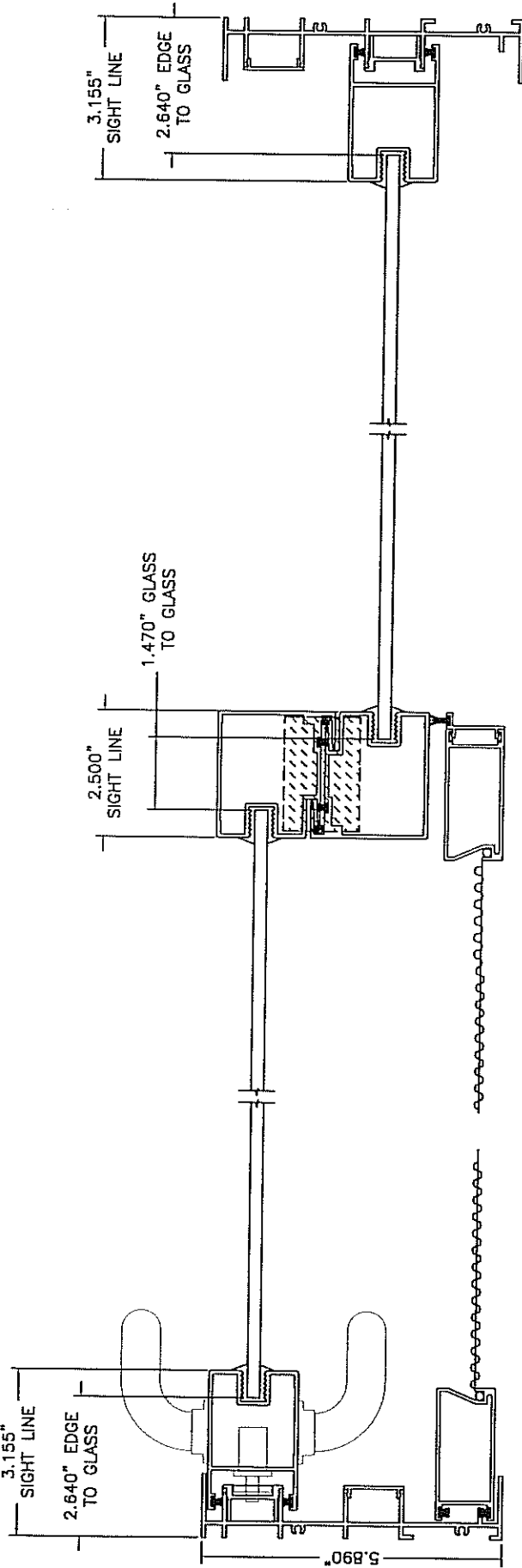
www.windowinc.com

Dwg Title:

6000 SERIES - FRAME OPTIONS
 FRAME SILL WITH ADD ON SILL RISERS

| | | | | |
|------|-----|-----|------------|-----|
| SIZE | Drn | By: | DWG NO. | REV |
| - | - | TJH | 05-08-1067 | - |

SCALE N.T.S. DATE: 8/04/05 SHEET 1 of 1



EXTERIOR

WinDoor
INCORPORATED

7500 AMSTERDAM DRIVE
ORLANDO, FL 32832

Phone: 407.481.8400
Fax: 407.481.0505

www.windoorinc.com

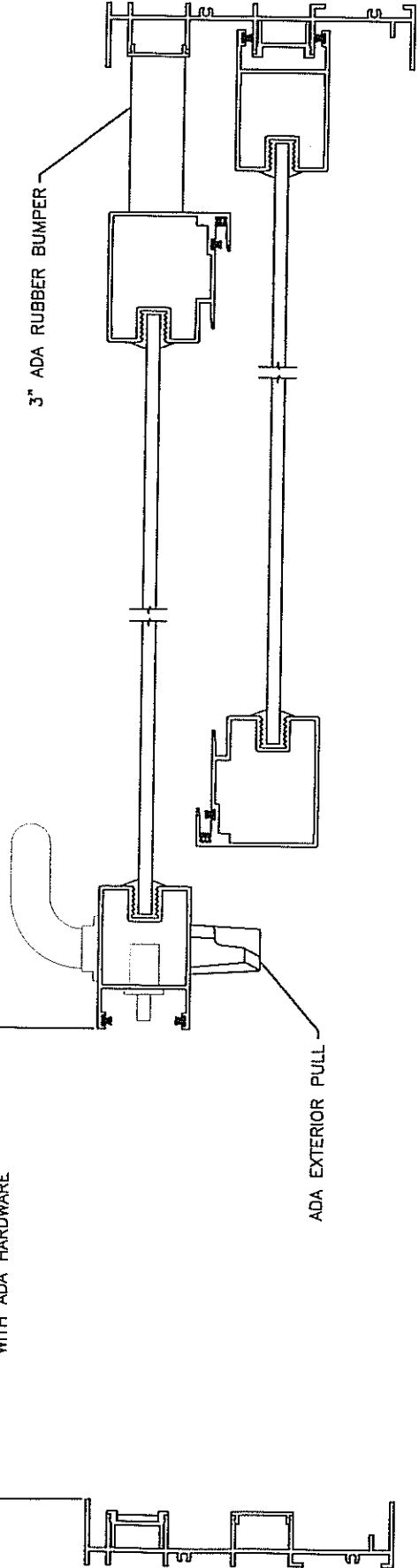
Dwg Title:

6000 SERIES - HORIZONTAL CROSS SECTIONS
XO CONFIGURATION SHOWN

| | | | | |
|------|-----|-----|------------|-----|
| SIZE | Drn | By: | DWG NO. | REV |
| - | - | TJH | 05-08-1068 | - |

SCALE N.T.S. DATE: 8/04/05 SHEET 1 of 1

76" MINIMUM DOOR WIDTH
FOR 32" CLEAR OPENING
WITH ADA HARDWARE



3" ADA RUBBER BUMPER

ADA EXTERIOR PULL

EXTERIOR

WinDoor
INCORPORATED

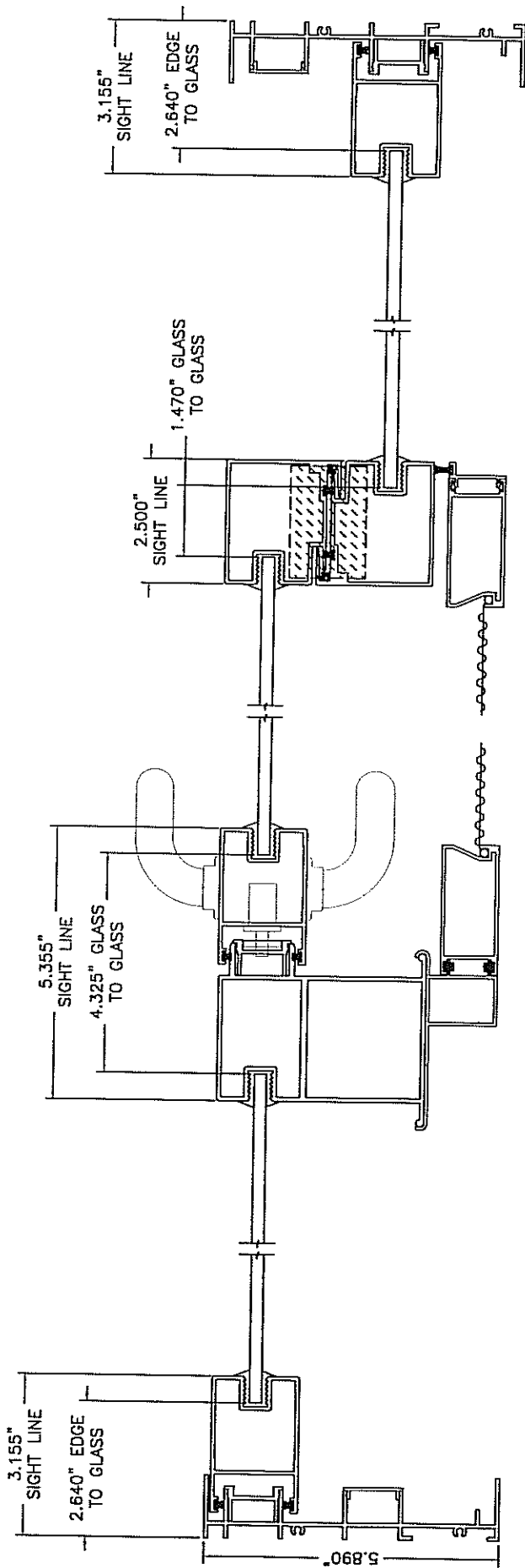
7500 AMSTERDAM DRIVE
ORLANDO, FL 32832
Phone: 407.481.8400
Fax: 407.481.0505
www.windoorinc.com

Dwg Title:

6000 SERIES - HORIZONTAL CROSS SECTIONS
XO CONFIGURATION W/ADA HARDWARE SHOWN

| | | | |
|------|-----|------------|-----|
| SIZE | By: | DWG NO. | REV |
| -- | TJH | 05-08-1069 | -- |

SCALE N.T.S. DATE: 8/05/05 SHEET 1 of 1



EXTERIOR

WinDoor
INCORPORATED

7500 AMSTERDAM DRIVE
ORLANDO, FL 32832

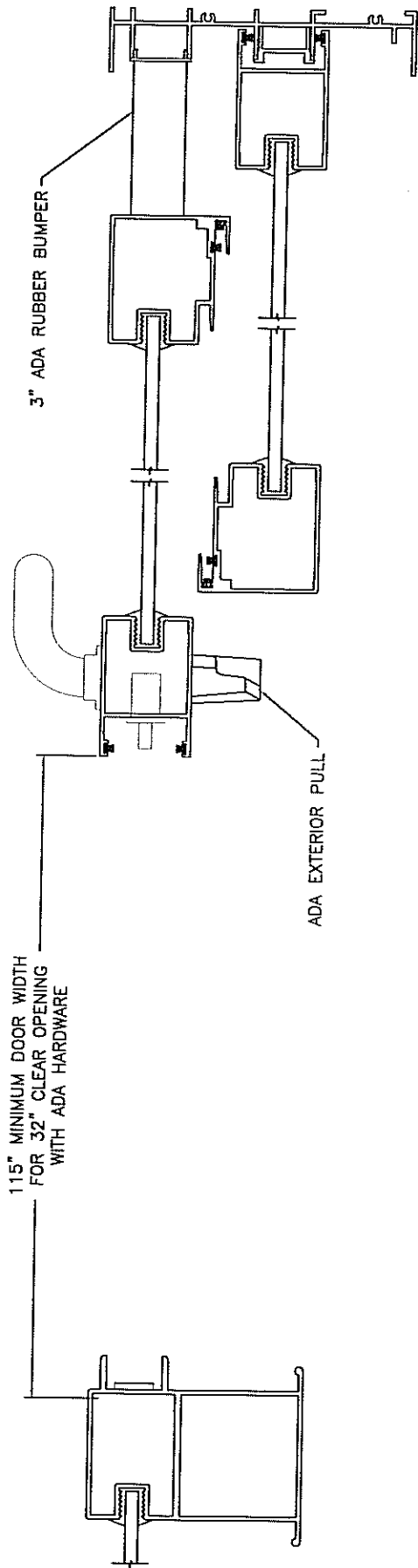
Phone: 407.481.8400
Fax: 407.481.0505
www.windoorinc.com

Dwg Title:

6000 SERIES - HORIZONTAL CROSS SECTIONS
OXO CONFIGURATION SHOWN

| | | | |
|------|---------|------------|-----|
| SIZE | Drn By: | DWG NO. | REV |
| - | TJH | 05-08-1070 | - |

| | | | | | |
|-------|--------|-------|---------|-------|--------|
| SCALE | N.T.S. | DATE: | 8/05/05 | SHEET | 1 of 1 |
|-------|--------|-------|---------|-------|--------|



EXTERIOR

WinDoor

INCORPORATED

7500 AMSTERDAM DRIVE
ORLANDO, FL 32832

Phone: 407.481.8400
Fax: 407.481.0505

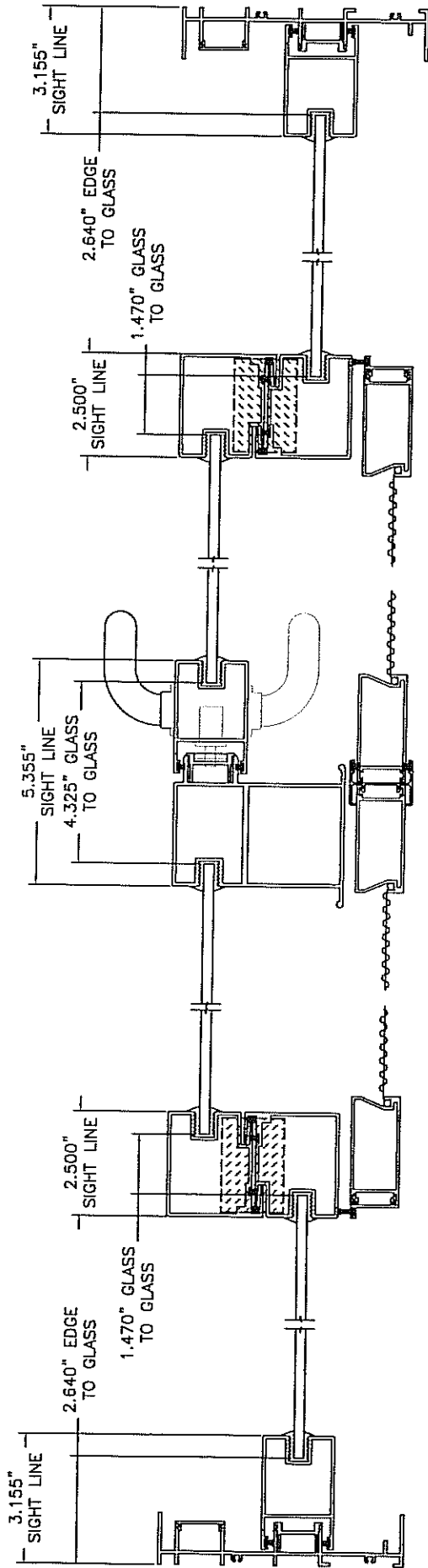
www.windoorinc.com

Dwg Title:

6000 SERIES - HORIZONTAL CROSS SECTIONS
OXO CONFIGURATION W/ADA HARDWARE SHOWN

| | | | | |
|------|-----|-----|------------|-----|
| SIZE | Drn | By: | DWG NO. | REV |
| - | - | TJH | 05-08-1071 | - |

| | | | | | |
|-------|--------|-------|---------|-------|--------|
| SCALE | N.T.S. | DATE: | 8/05/05 | SHEET | 1 of 1 |
|-------|--------|-------|---------|-------|--------|



EXTERIOR

WinDoor
INCORPORATED

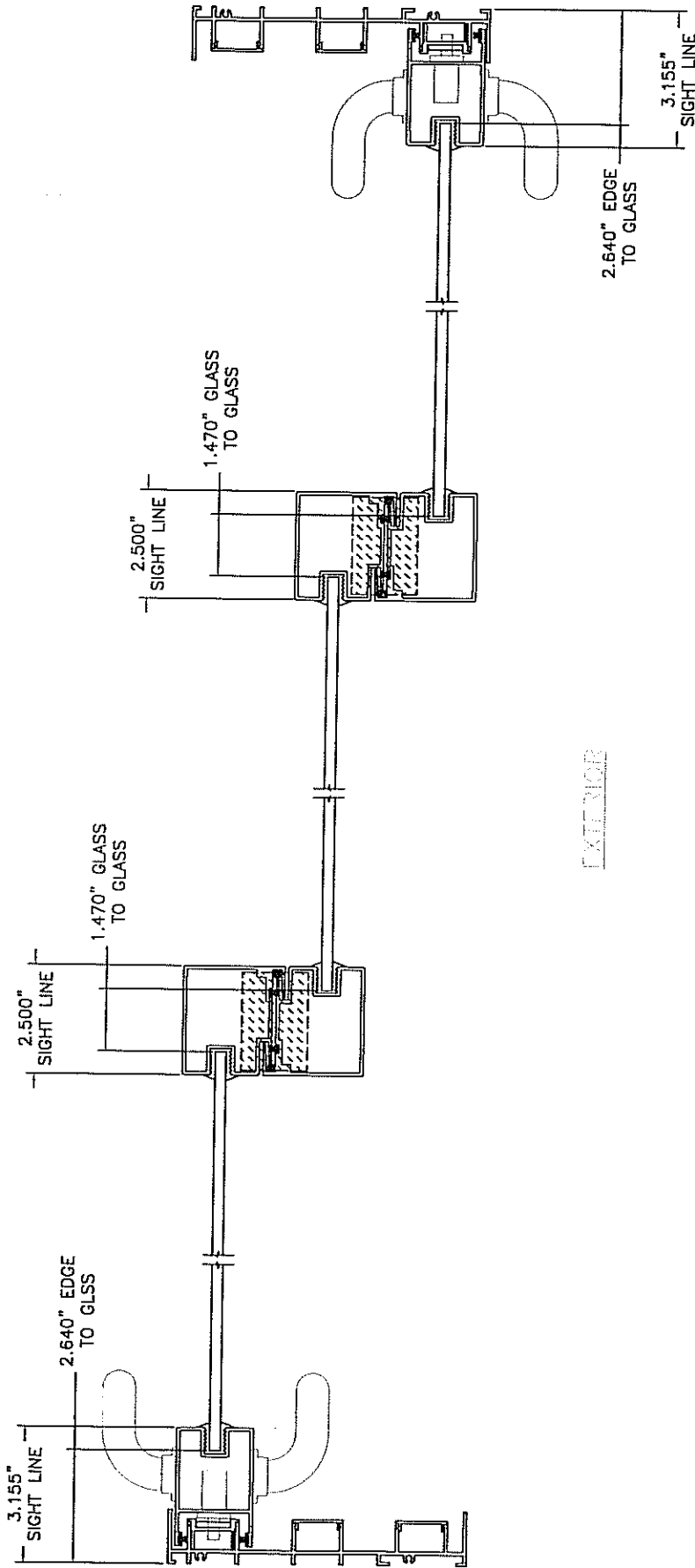
7500 AMSTERDAM DRIVE
ORLANDO, FL 32832
Phone: 407.481.8400
Fax: 407.481.0505
www.windoorinc.com

Dwg Title:

6000 SERIES - HORIZONTAL CROSS SECTIONS
OXXO CONFIGURATION SHOWN

| | | | | |
|------|-----|-----|------------|-----|
| SIZE | Dwn | By: | DWG NO. | REV |
| - | - | TJH | 05-08-1072 | - |

SCALE N.T.S. DATE: 8/05/05 SHEET 1 of 1



EXTERIOR

WinDoor
INCORPORATED

7500 AMSTERDAM DRIVE
ORLANDO, FL 32832

Phone: 407.481.8400
Fax: 407.481.0505

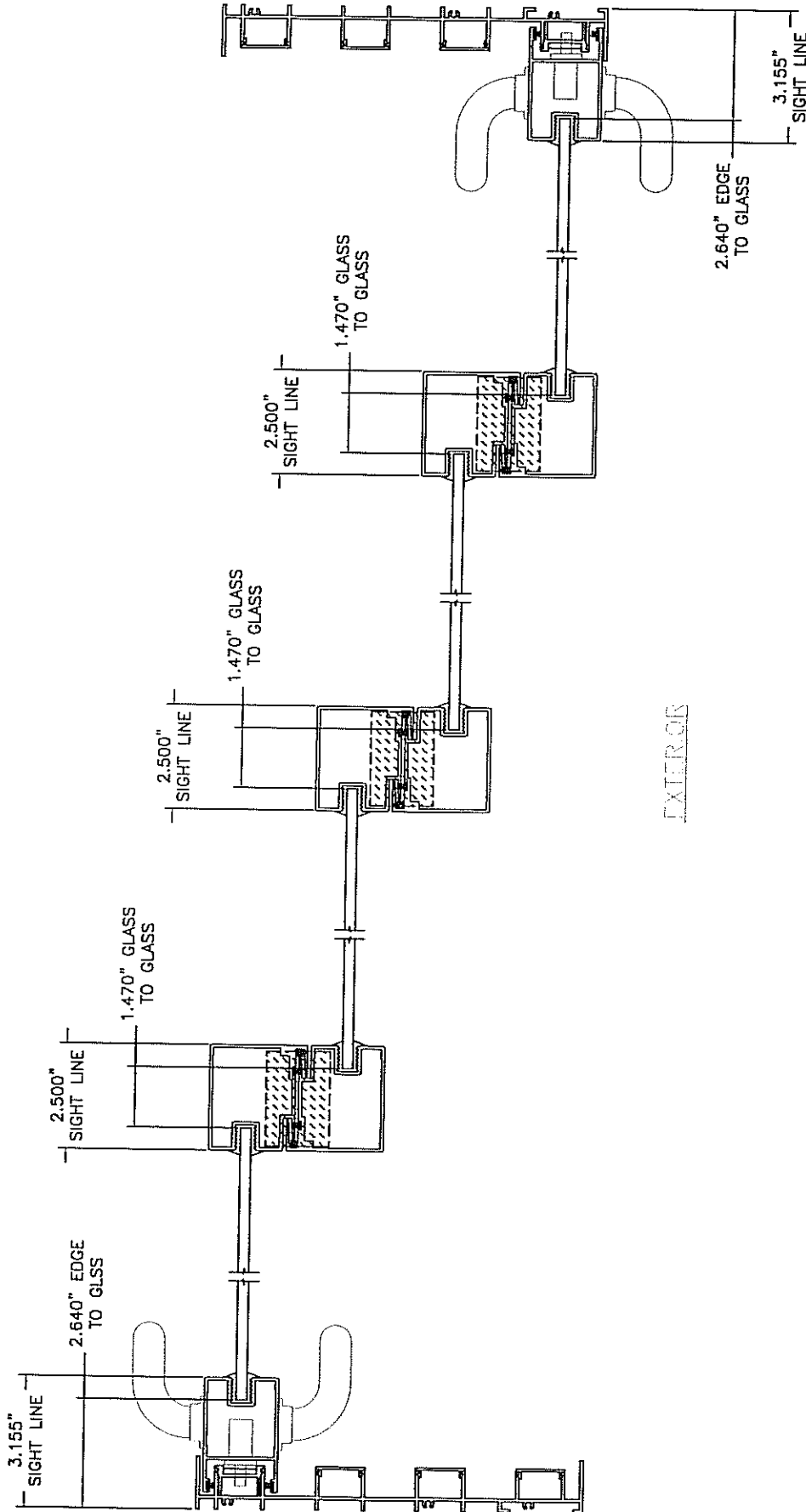
www.windoorinc.com

Dwg Title:

6000 SERIES - HORIZONTAL CROSS SECTIONS
XXX CONFIGURATION SHOWN

| | | | | |
|------|-----|-----|------------|-----|
| SIZE | Drn | By: | DWG NO. | REV |
| - | - | TJH | 05-08-1118 | - |

| | | | | | |
|-------|--------|-------|--------|-------|--------|
| SCALE | N.T.S. | DATE: | 9/1/05 | SHEET | 1 of 1 |
|-------|--------|-------|--------|-------|--------|



EXTERIOR

WinDoor
INCORPORATED

7500 AMSTERDAM DRIVE
ORLANDO, FL 32832

Phone: 407.481.8400
Fax: 407.481.0505

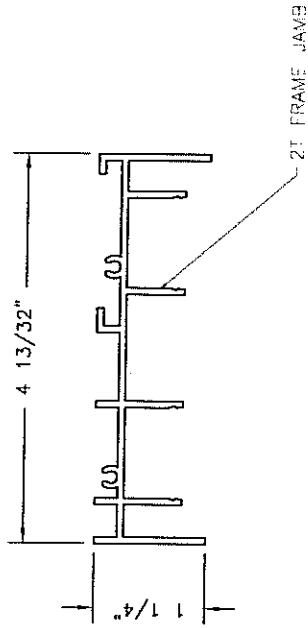
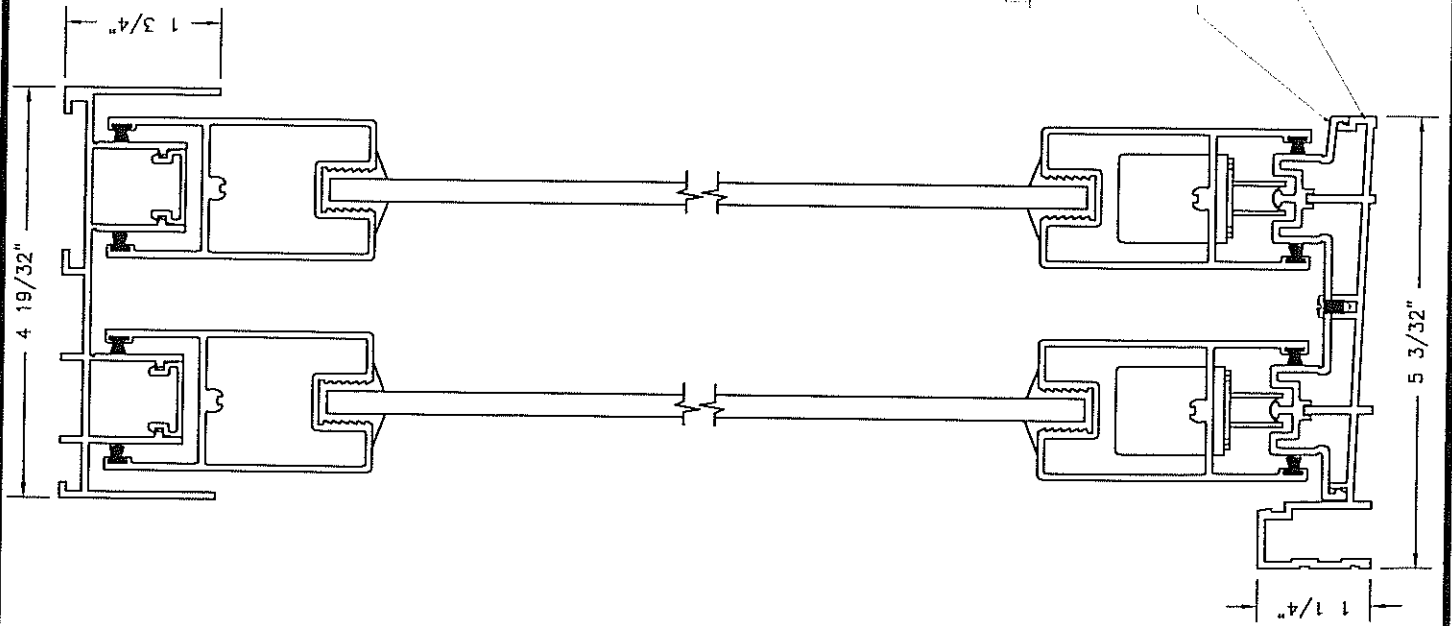
www.windoorinc.com

Dwg Title:

6000 SERIES - HORIZONTAL CROSS SECTIONS
XXXX CONFIGURATION SHOWN

| | | | |
|------|---------|------------|-----|
| SIZE | Drn By: | DWG NO. | REV |
| - | TJH | 05-08-1119 | - |

| | | | | | |
|-------|--------|-------|--------|-------|--------|
| SCALE | N.T.S. | DATE: | 9/1/05 | SHEET | 1 of 1 |
|-------|--------|-------|--------|-------|--------|



WinDoor
INCORPORATED

7500 AMSTERDAM DRIVE
ORLANDO, FL 32832

Phone: 407.481.8400
Fax: 407.481.0505

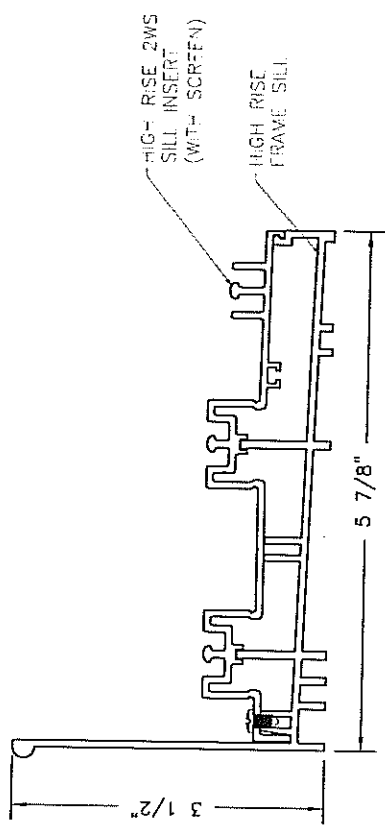
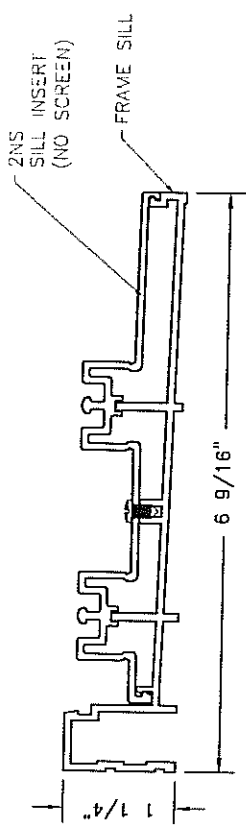
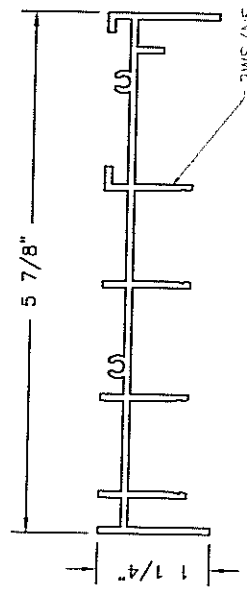
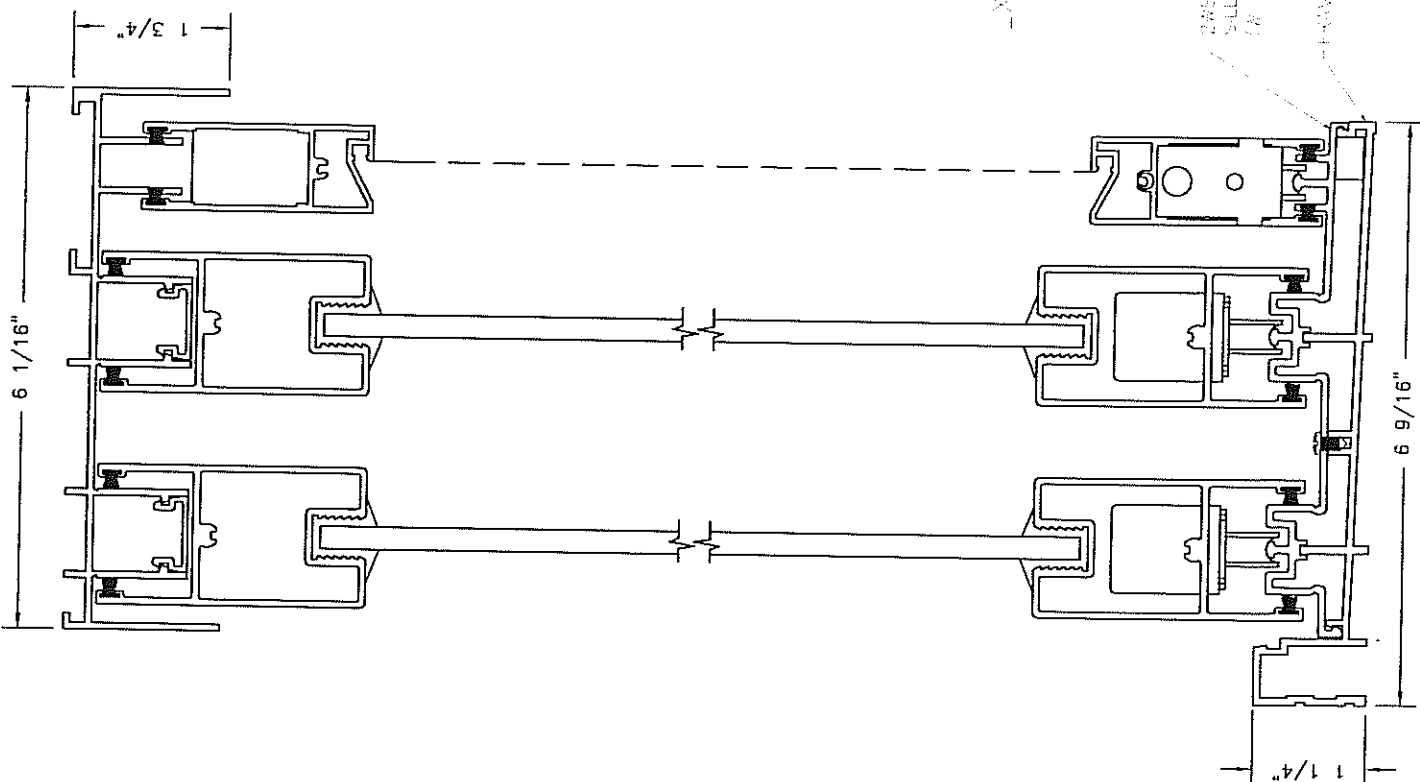
www.windoorinc.com

Dwg Title:

6000 SERIES - VERTICAL CROSS SECTIONS
2-TRACK W/2T SILL & 2T JAMB

| | | | |
|------|---------|------------|-----|
| SIZE | Drn By: | DWG NO. | REV |
| - | TJH | 05-08-1074 | - |

SCALE N.T.S. DATE: 8/05/05 SHEET 1 of 1



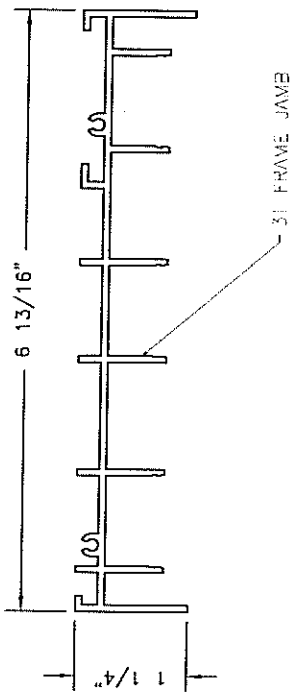
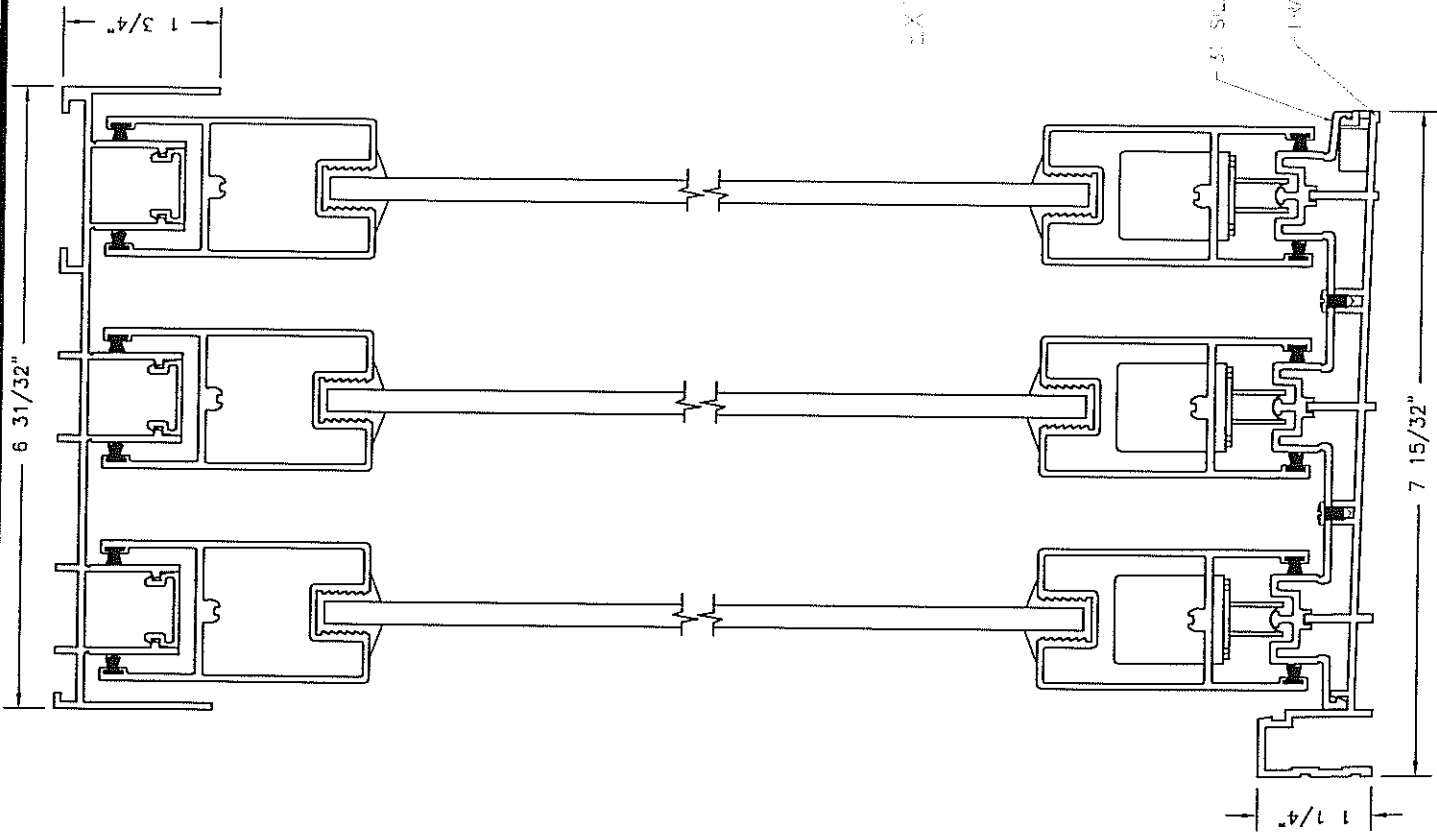
WinDoor
INCORPORATED

7500 AMSTERDAM DRIVE
ORLANDO, FL 32832
Phone: 407.481.8400
Fax: 407.481.0505
www.windowinc.com

Dwg Title: 6000 SERIES - VERTICAL CROSS SECTIONS
2-TRACK W/2WS & 2NS SILL & JAMB

| | | | |
|------|---------|------------|-----|
| SIZE | Drn By: | DWG NO. | REV |
| - | TJH | 05-08-1075 | - |

SCALE N.T.S. DATE: 8/05/05 SHEET 1 of 1



EXTERIOR

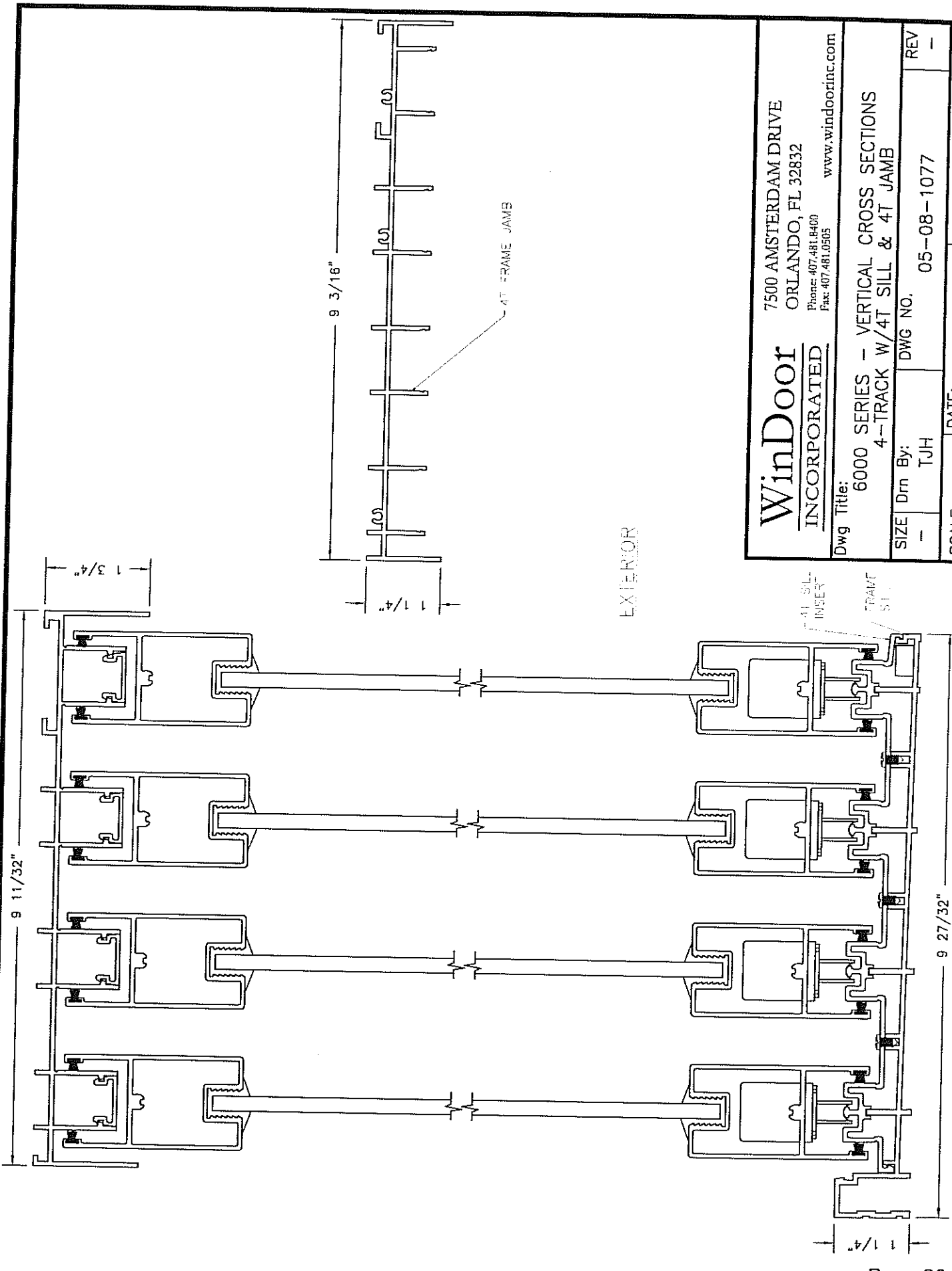
WinDoor
INCORPORATED

7500 AMSTERDAM DRIVE
ORLANDO, FL 32832
Phone: 407.481.8400
Fax: 407.481.0505
www.windoorinc.com

Dwg Title: 6000 SERIES - VERTICAL CROSS SECTIONS
3-TRACK W/3T SILL & 3T JAMB

| | | | |
|------|---------|------------|-----|
| SIZE | Drn By: | DWG NO. | REV |
| - | TJH | 05-08-1076 | - |

SCALE N.T.S. DATE: 8/05/05 SHEET 1 of 1



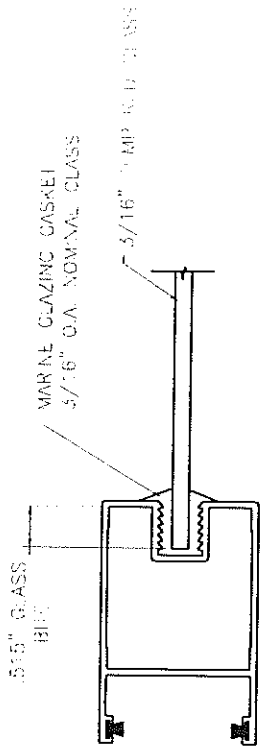
WinDoor
 INCORPORATED

7500 AMSTERDAM DRIVE
 ORLANDO, FL 32832
 Phone: 407.481.8400
 Fax: 407.481.0505
 www.windowinc.com

Dwg Title: 6000 SERIES - VERTICAL CROSS SECTIONS
 4-TRACK W/4T SILL & 4T JAMB

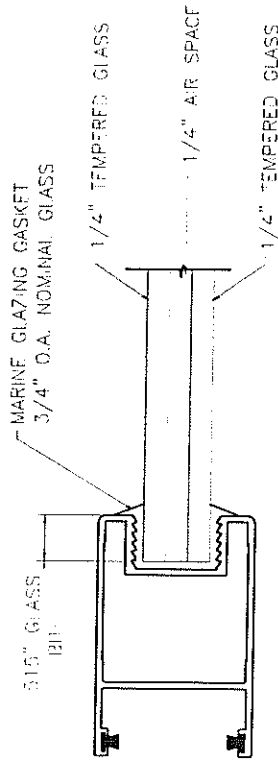
| | | | |
|------|---------|------------|-----|
| SIZE | Drm By: | DWG NO. | REV |
| - | TJH | 05-08-1077 | - |

SCALE N.T.S. DATE: 8/05/05 SHEET 1 of 1



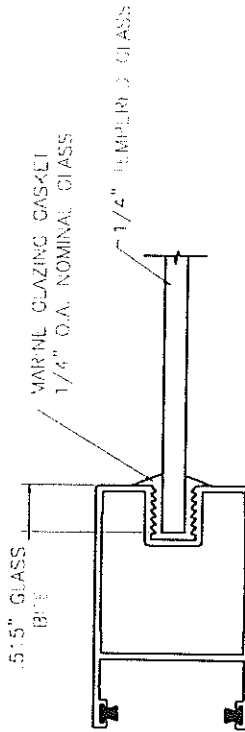
EXTERIOR

3/16" NOMINAL O.A. TEMPERED GLASS



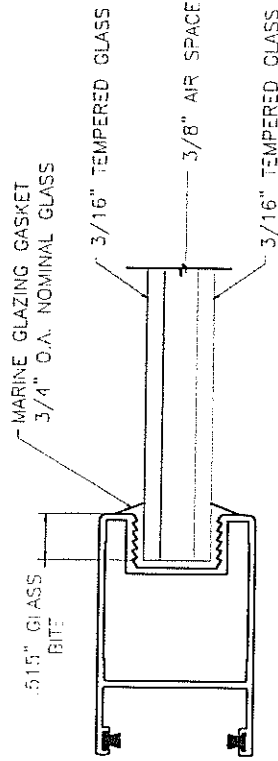
EXTERIOR

3/4" NOMINAL O.A. INSULATED TEMPERED GLASS



EXTERIOR

1/4" NOMINAL O.A. TEMPERED GLASS



EXTERIOR

3/16" NOMINAL O.A. INSULATED TEMPERED GLASS

WinDoor
INCORPORATED

7500 AMSTERDAM DRIVE
ORLANDO, FL 32832

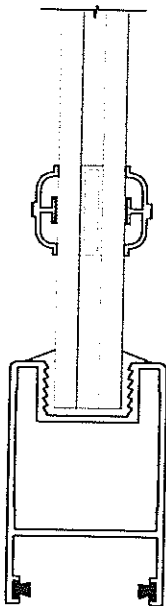
Phone: 407.481.8400
Fax: 407.481.0505
www.windowinc.com

Dwg Title:

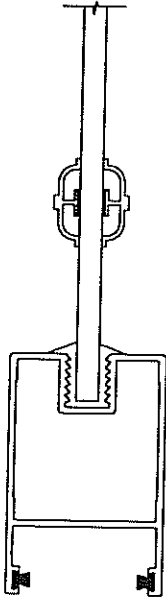
6000 SERIES - GLAZING OPTIONS
NON-IMPACT

| | | | |
|------|---------|------------|-----|
| SIZE | Dwn By: | DWG NO. | REV |
| - | TJH | 05-08-1073 | - |

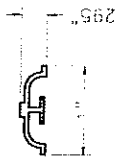
| | | | | | |
|-------|--------|-------|---------|-------|--------|
| SCALE | N.T.S. | DATE: | 8/05/05 | SHEET | 1 of 1 |
|-------|--------|-------|---------|-------|--------|



5/4" NOMINAL O.A. INSULATED
IMPACT OR NON-IMPACT GLASS
WITH STANDARD APPLIED MUNTIN



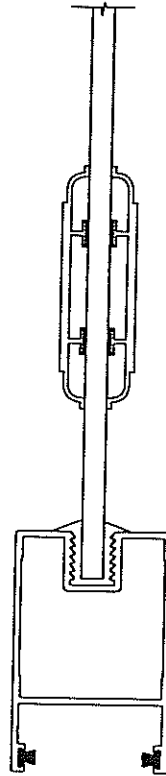
1/4" NOMINAL O.A. GLASS
WITH STANDARD APPLIED MUNTIN



STANDARD APPLIED MUNTIN



WIDE STYLE APPLIED MUNTIN



1/4" NOMINAL O.A. GLASS
WITH WIDE STYLE APPLIED MUNTIN

WinDoor
INCORPORATED

7500 AMSTERDAM DRIVE
ORLANDO, FL 32832

Phone: 407.481.8400
Fax: 407.481.0505

www.windoorinc.com

Dwg Title:

6000 SERIES - MUNTIN OPTIONS
STANDARD AND WIDE STYLE APPLIED MUNTINS

| | | | |
|------|---------|------------|-----|
| SIZE | Drn By: | DWG NO. | REV |
| - | TJH | 05-08-1078 | - |

SCALE N.T.S.

DATE: 8/05/05

SHEET 1 of 1