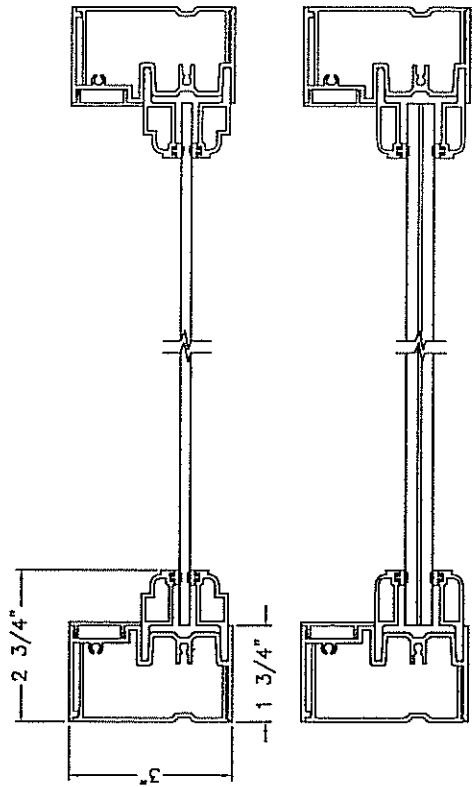
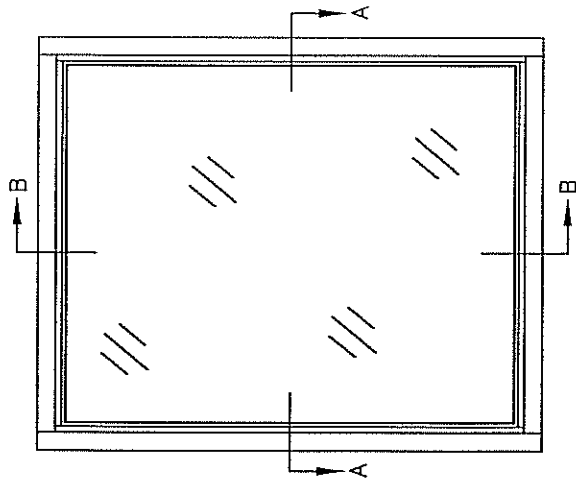


SECTION B-B



SECTION A-A

7500 AMSTERDAM DRIVE  
ORLANDO, FL 32832

**WinDoor**  
INCORPORATED

Phone: 407.481.8400  
Fax: 407.481.0505

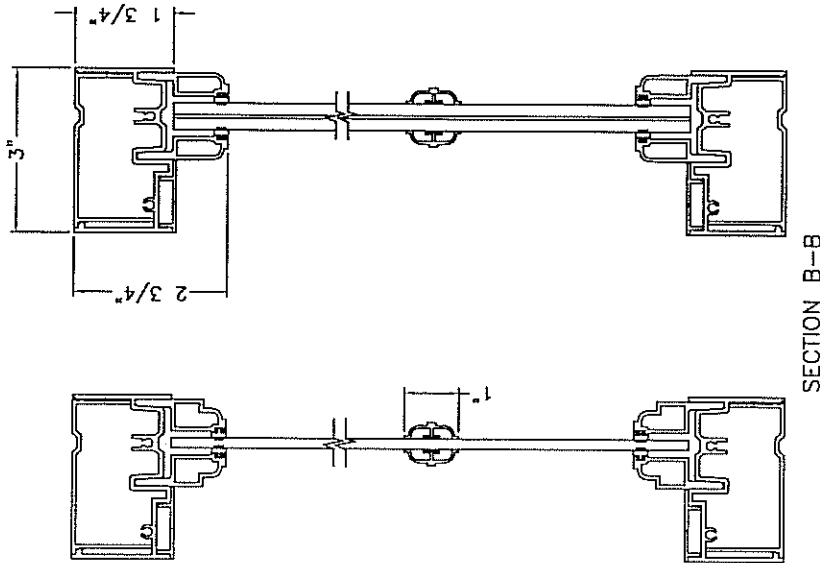
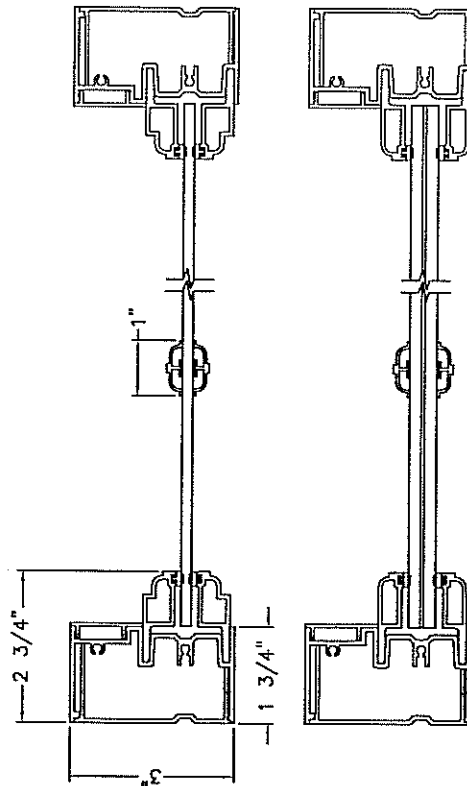
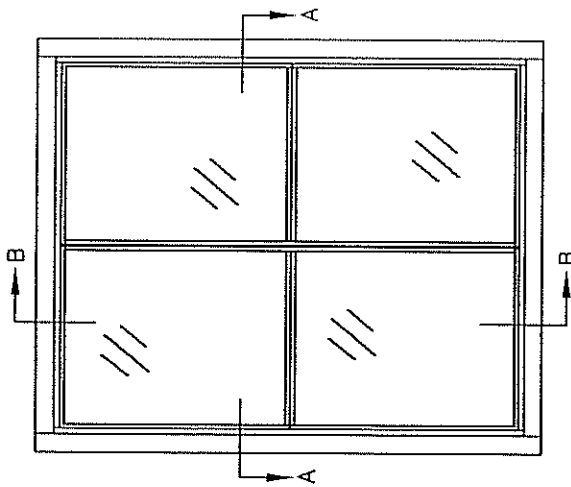
www.windowinc.com

Dwg Title:

2000 SERIES - CROSS SECTIONS & SIGHTLINES  
NON-IMPACT & IMPACT UNITS

SIZE	Drn By:	DWG NO.	REV
-	TJH	05-06-1007	-

SCALE N.T.S. DATE: 6/14/05 SHEET 1 of 1



**WinDoor**  
INCORPORATED

7500 AMSTERDAM DRIVE  
ORLANDO, FL 32832

Phone: 407-481-8400

Fax: 407-481-0505

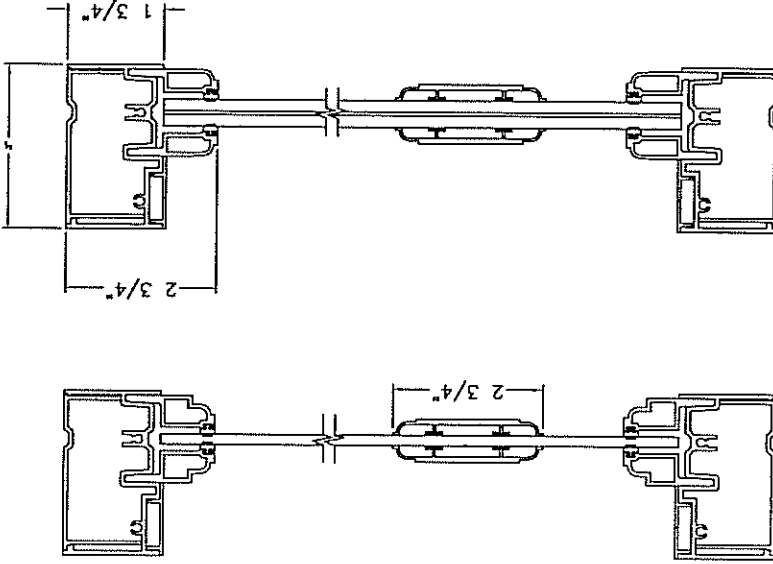
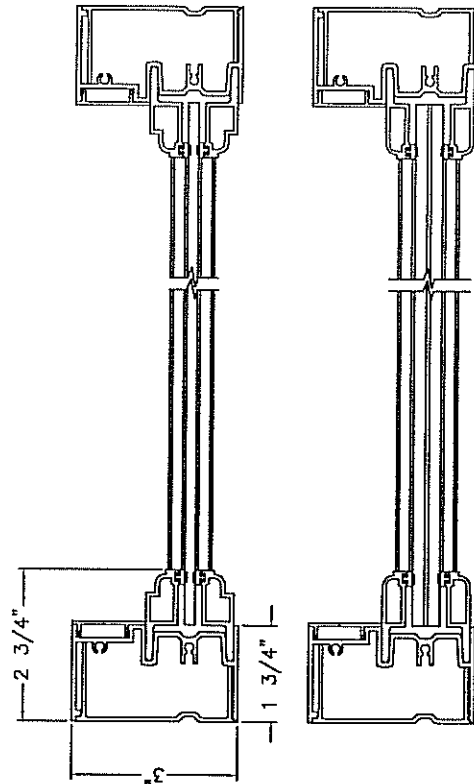
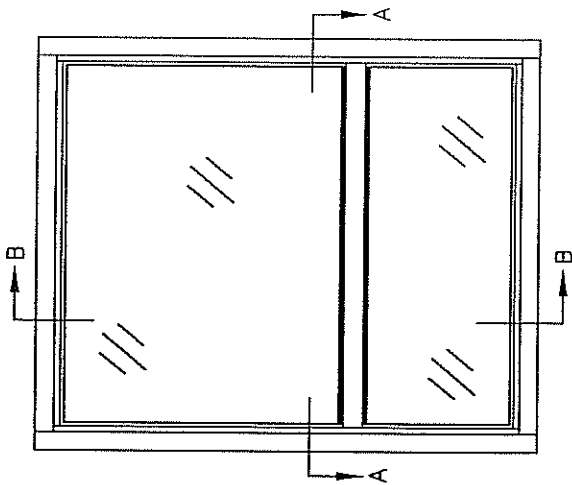
www.windoorinc.com

Dwg Title:

2000 SERIES - CROSS SECTIONS, SIGHTLINES &  
MUNTIN OPTIONS - STANDARD APPLIED 1" MUNTIN

SIZE	Drn By:	DWG NO.	REV
-	TJH	05-06-1006	-

SCALE	N.T.S.	DATE:	6/14/05	SHEET	1 of 1
-------	--------	-------	---------	-------	--------

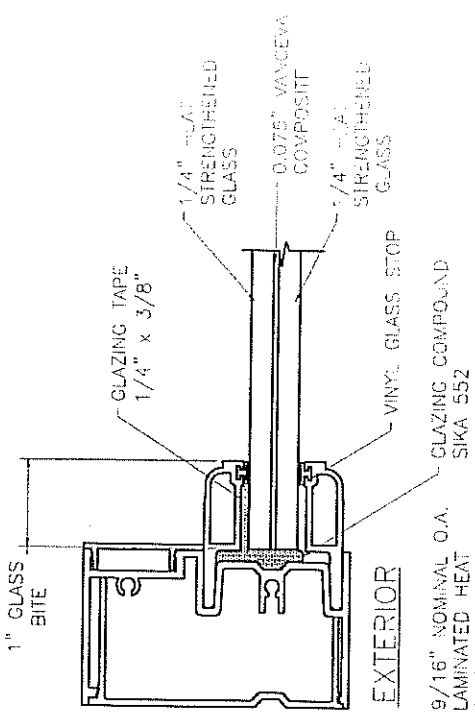


**WinDoor**  
 INCORPORATED  
 7500 AMSTERDAM DRIVE  
 ORLANDO, FL 32832  
 Phone: 407.481.5400  
 Fax: 407.481.0505  
 www.windowinc.com

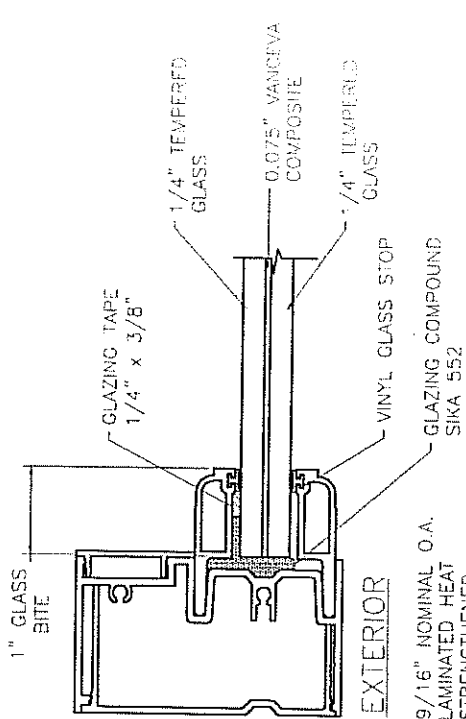
Dwg Title: 2000 SERIES - CROSS SECTIONS, SIGHTLINES & MUNTIN OPTIONS - WIDE STYLE APPLIED MUNTIN

SIZE	Drn	By:	DWG NO.	REV
-	-	TJH	05-06-1010	-

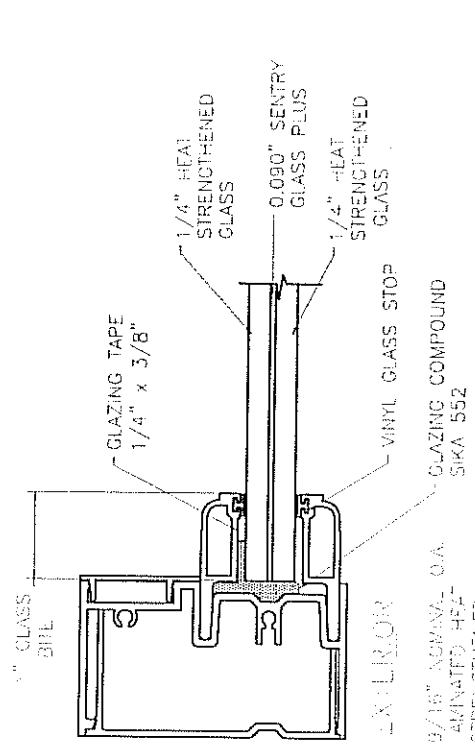
SCALE N.T.S. DATE: 6/14/05 SHEET 1 of 1



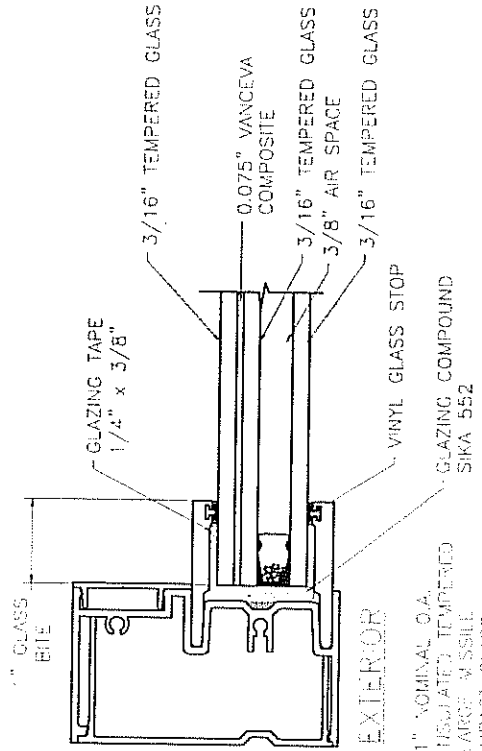
9/16" NOMINAL O.A. LAMINATED HEAT STRENGTHENED LARGE MISSILE IMPACT GLASS



9/16" NOMINAL O.A. LAMINATED HEAT STRENGTHENED LARGE MISSILE IMPACT GLASS



9/16" NOMINAL O.A. LAMINATED HEAT STRENGTHENED LARGE MISSILE IMPACT GLASS



1" NOMINAL O.A. LAMINATED TEMPERED LARGE MISSILE IMPACT GLASS

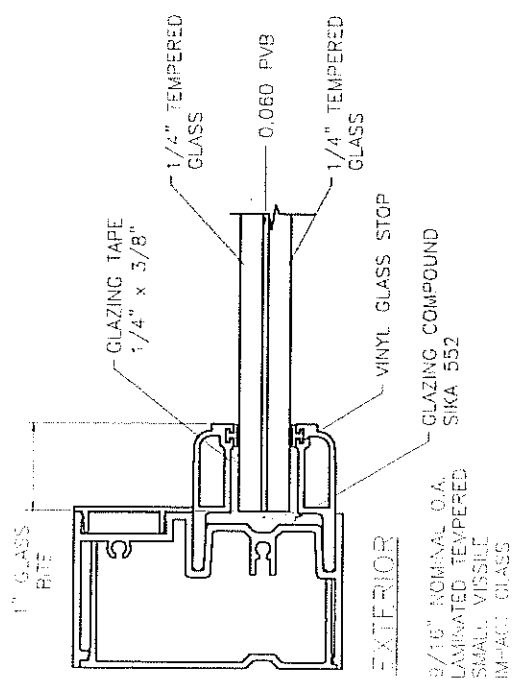
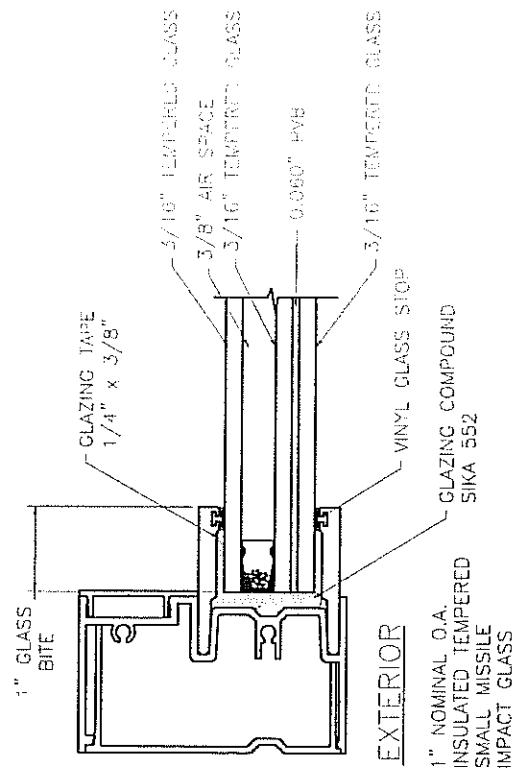
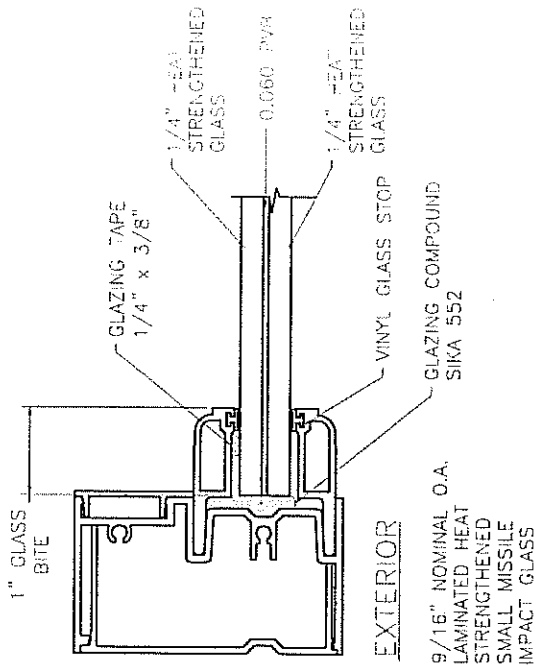
**WinDoor**  
INCORPORATED

7500 AMSTERDAM DRIVE  
ORLANDO, FL 32832  
Phone: 407.481.8400  
Fax: 407.481.0505  
www.windoorinc.com

Dwg Title: 2000 SERIES - GLAZING OPTIONS  
LARGE MISSILE

SIZE	Dwn By:	DWG NO.	REV
-	TJH	05-08-1079	-

SCALE N.T.S. DATE: 8/05/05 SHEET 1 of 1



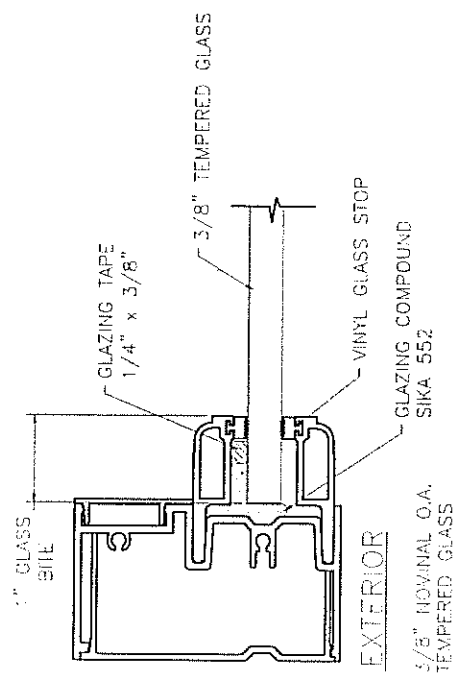
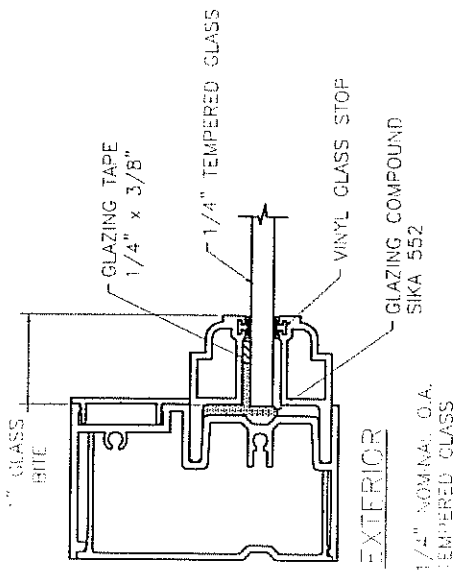
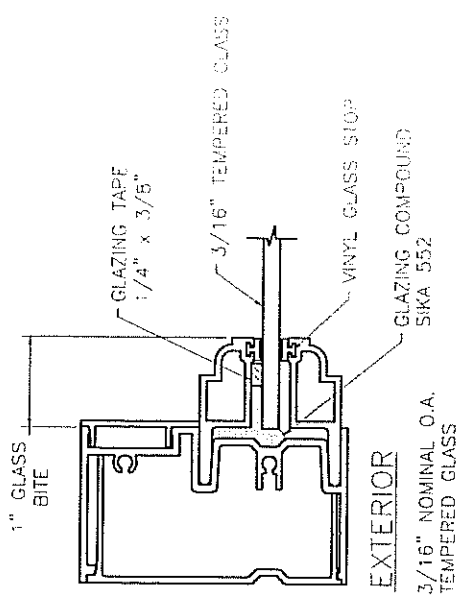
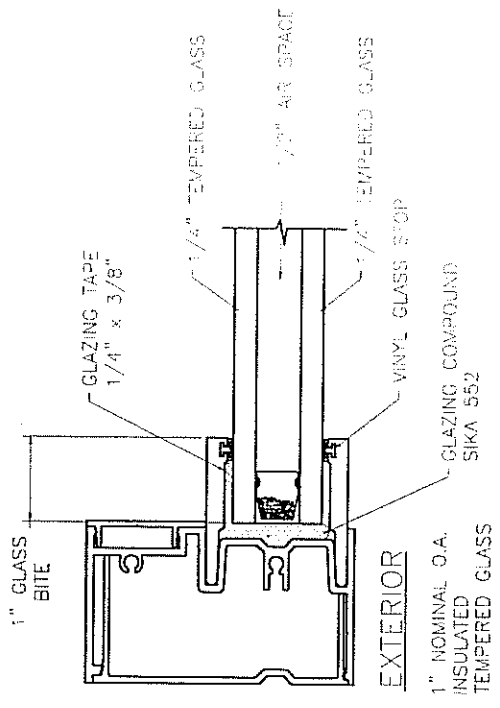
**WinDoor**  
INCORPORATED

7500 AMSTERDAM DRIVE  
ORLANDO, FL 32832  
Phone: 407.481.8400  
Fax: 407.481.0505  
www.windowinc.com

Dwg title: 2000 SERIES - GLAZING OPTIONS  
SMALL MISSILE

SIZE	Dwn By:	DWG NO.	REV
-	TJH	05-08-1080	-

SCALE N.T.S. DATE: 8/05/05 SHEET 1 of 1



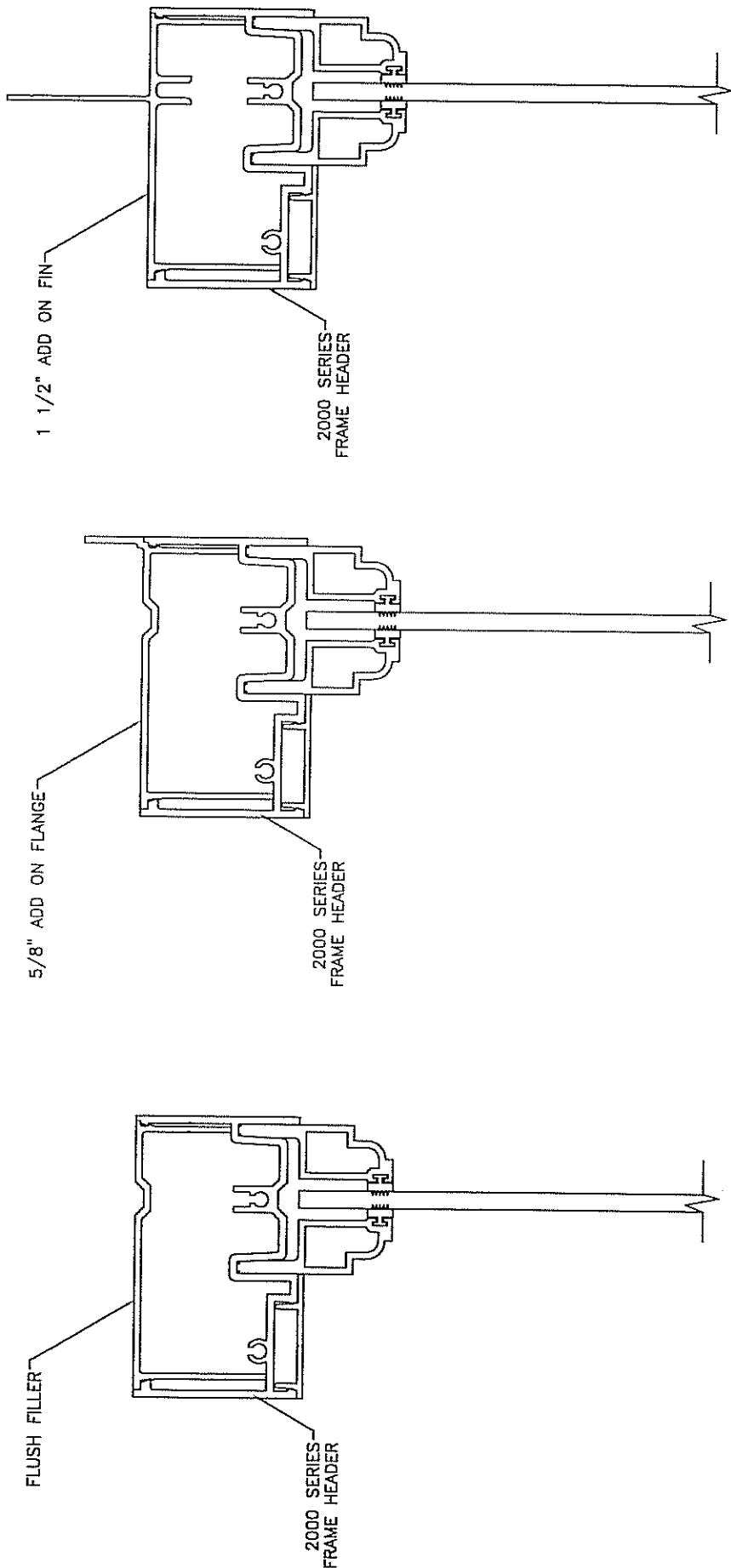
**WinDoor**  
INCORPORATED

7500 AMSTERDAM DRIVE  
ORLANDO, FL 32832  
Phone: 407.481.8400  
Fax: 407.481.0505  
www.windowinc.com

Dwg Title: 2000 SERIES - GLAZING OPTIONS  
NON-IMPACT

SIZE	Drn By:	DWG NO.	REV
-	TJH	05-08-1081	-

SCALE N.T.S. DATE: 8/05/05 SHEET 1 of 1



**WinDoor**  
 INCORPORATED

7500 AMSTERDAM DRIVE  
 ORLANDO, FL 32832  
 Phone: 407.481.8400  
 Fax: 407.481.0505  
 www.windowinc.com

Dwg Title: 2000 SERIES - FRAME OPTIONS  
 FLUSH, FLANGE OR FIN

SIZE	Drn	By:	DWG NO.	REV
-	-	TJH	05-08-1089	-
SCALE	N.T.S.	DATE:	8/09/05	SHEET
				1 of 1