

SECTION B-B

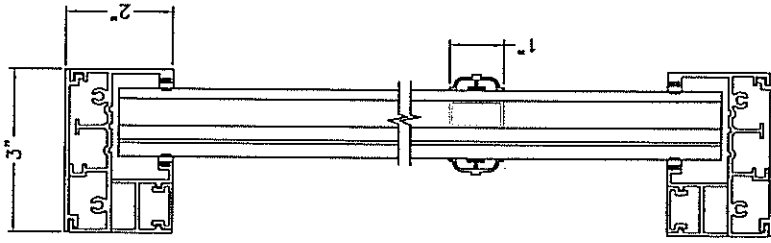
WinDoor
INCORPORATED

7500 AMSTERDAM DRIVE
ORLANDO, FL 32832
Phone: 407.481.8400
Fax: 407.481.0505
www.windowinc.com

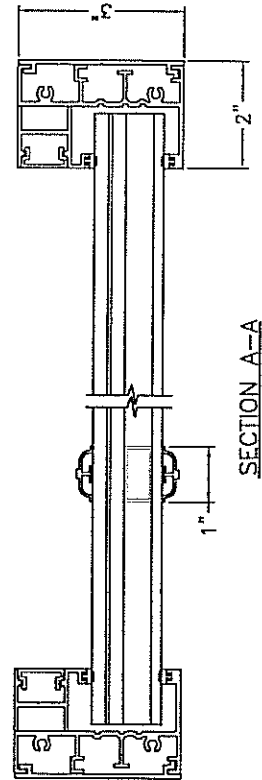
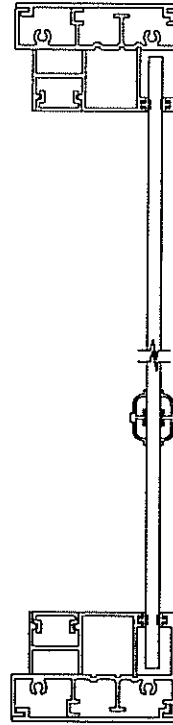
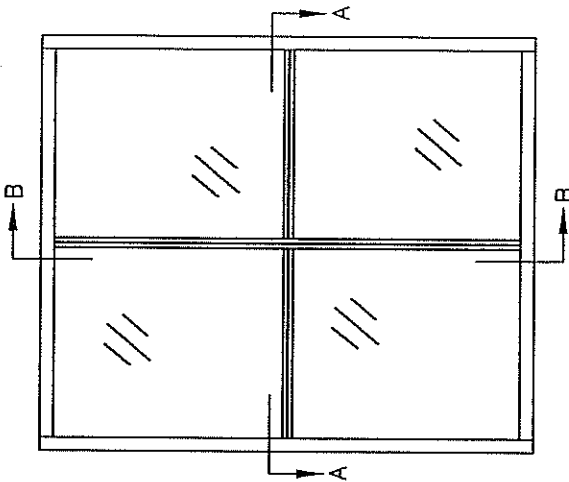
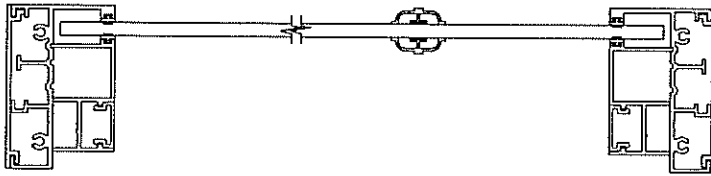
Dwg Title: 1000 SERIES - CROSS SECTIONS & SIGHTLINES
NON-IMPACT & IMPACT UNITS

SIZE	Drm By:	DWG NO.	REV
-	TJH	05-08-1082	-

SCALE N.T.S. DATE: 8/10/05 SHEET 1 of 1



SECTION B-B



SECTION A-A

7500 AMSTERDAM DRIVE
ORLANDO, FL 32832

Phone: 407.481.8400
Fax: 407.481.0505

www.windoorinc.com

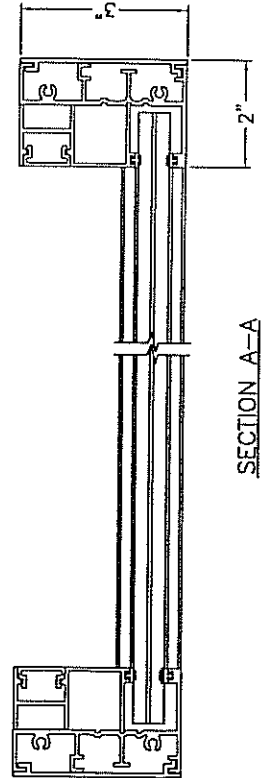
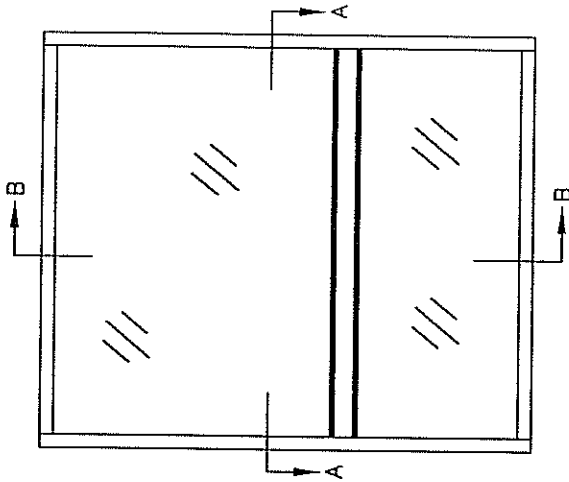
WinDoor
INCORPORATED

Dwg Title:

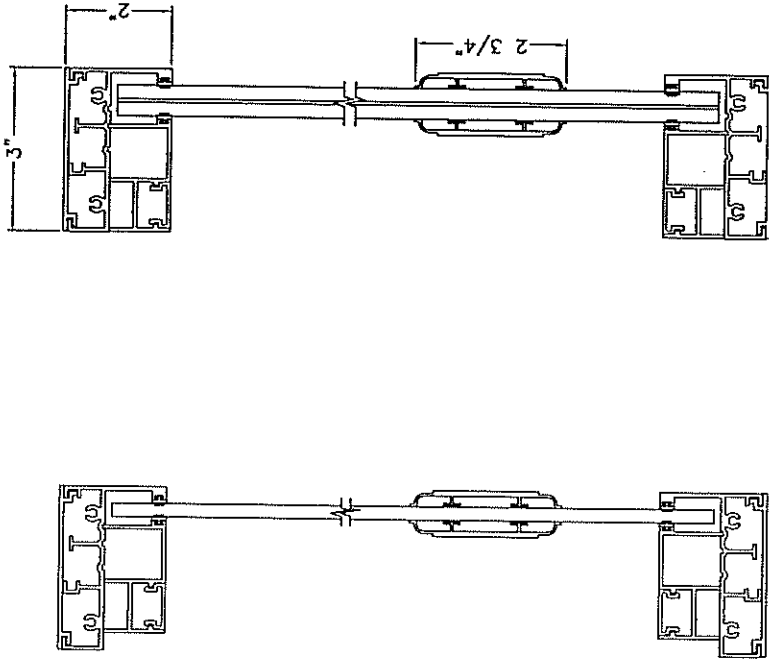
1000 SERIES - CROSS SECTIONS, SIGHTLINES &
MUNTIN OPTIONS - STANDARD APPLIED 1" MUNTIN

SIZE	Drn By:	DWG NO.	REV
--	TJH	05-08-1083	--

SCALE N.T.S. DATE: 8/10/05 SHEET 1 of 1



SECTION A-A



SECTION B-B

7500 AMSTERDAM DRIVE
ORLANDO, FL 32832

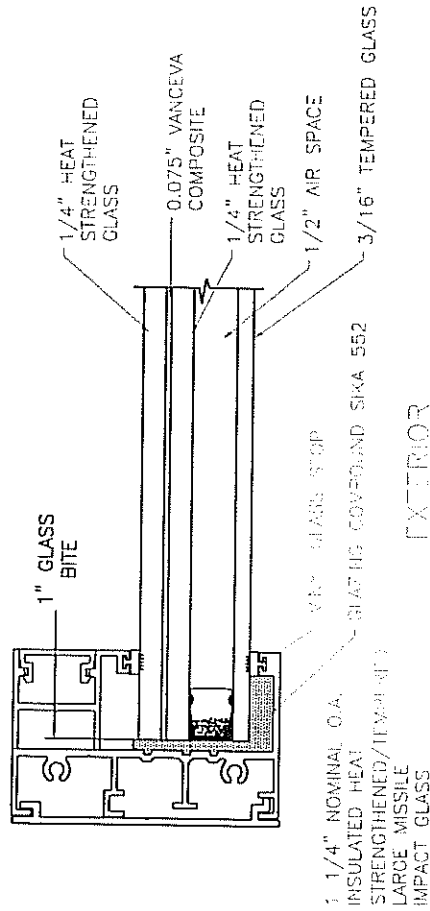
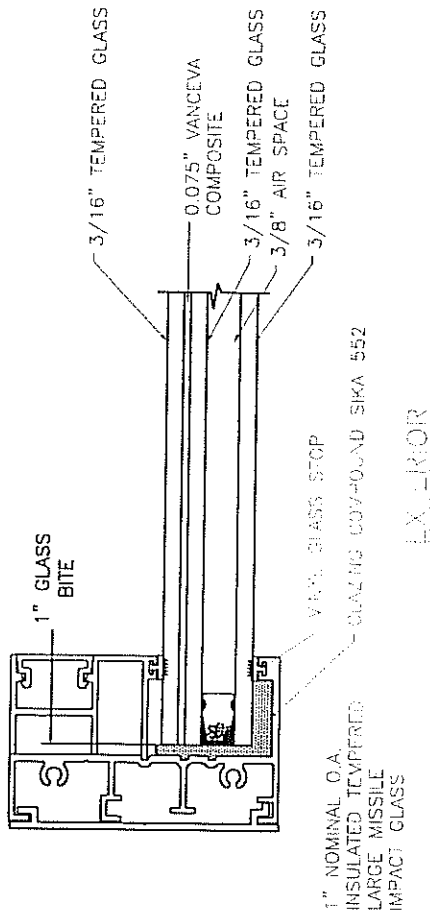
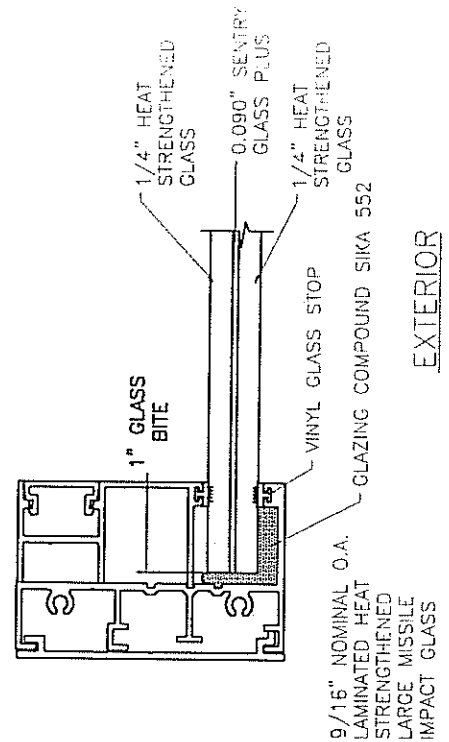
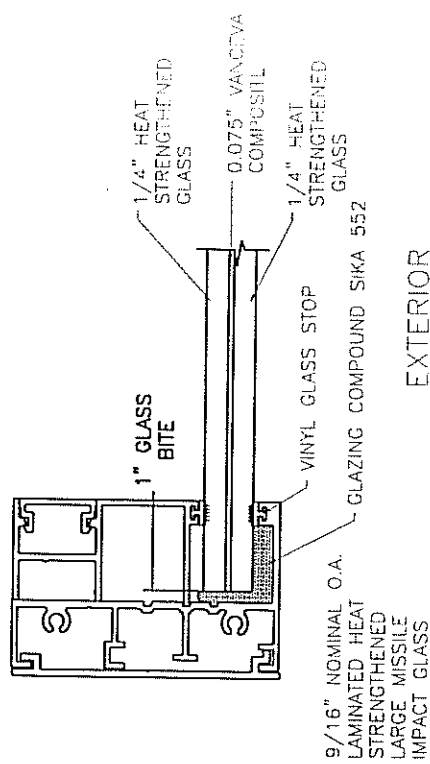
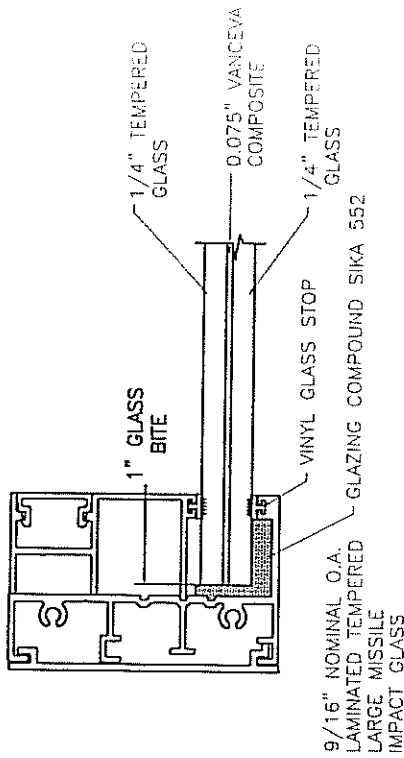
WinDoor
INCORPORATED

Phone: 407.481.8400
Fax: 407.481.0505
www.windowinc.com

Dwg Title: 1000 SERIES - CROSS SECTIONS, SIGHTLINES & MUNTIN OPTIONS - WIDE STYLE APPLIED MUNTIN

SIZE	Drn By:	DWG NO.	REV
-	TJH	05-08-1084	-

SCALE N.T.S. DATE: 8/10/05 SHEET 1 of 1



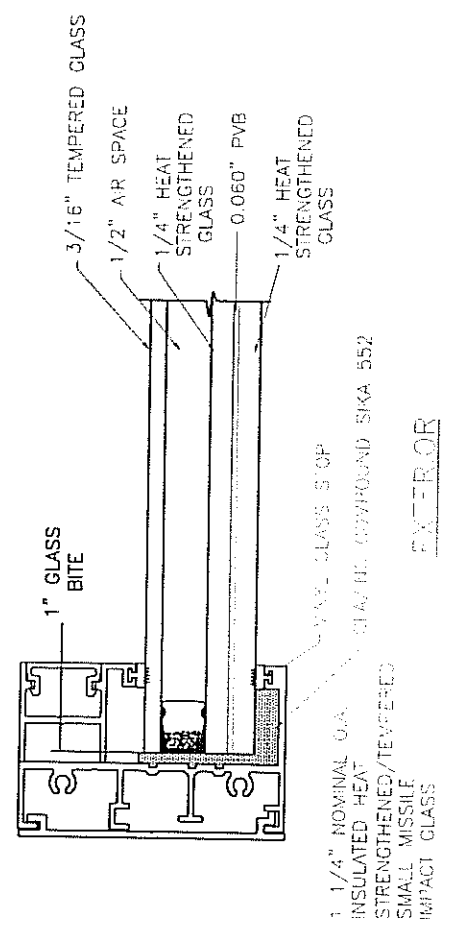
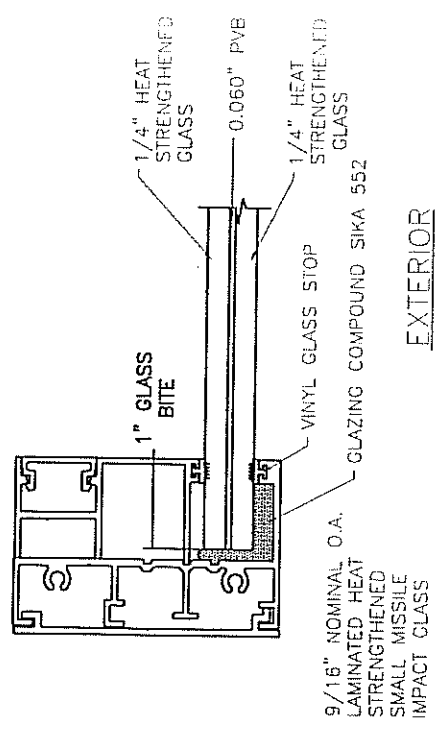
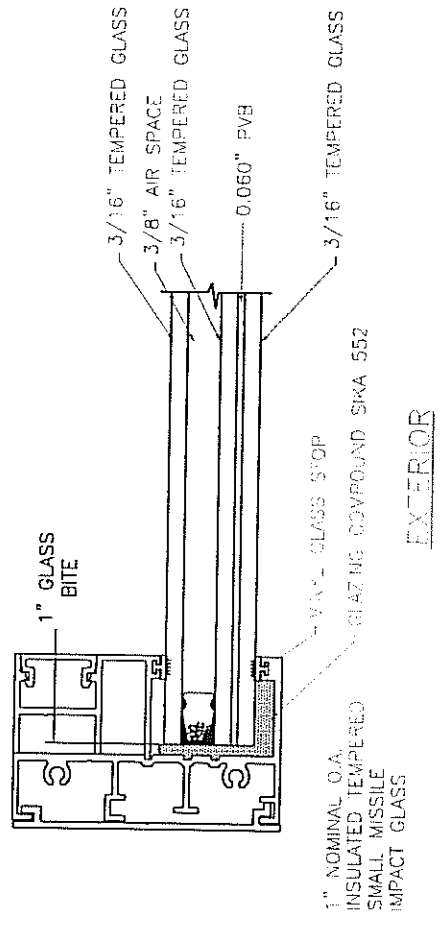
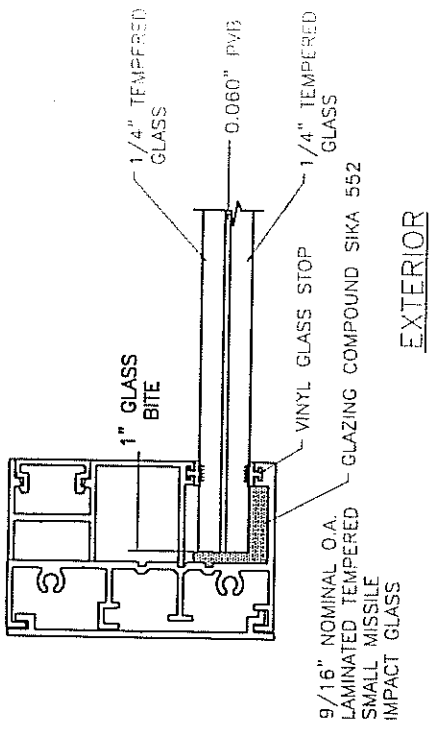
WinDoor
INCORPORATED

7500 AMSTERDAM DRIVE
ORLANDO, FL 32832
Phone: 407.481.8400
Fax: 407.481.0505
www.windoorinc.com

Dwg Title: 1000 SERIES - GLAZING OPTIONS
LARGE MISSILE

SIZE	Drn By:	DWG NO.	REV
-	TJH	05-08-1085	-

SCALE N.T.S. DATE: 8/10/05 SHEET 1 of 1



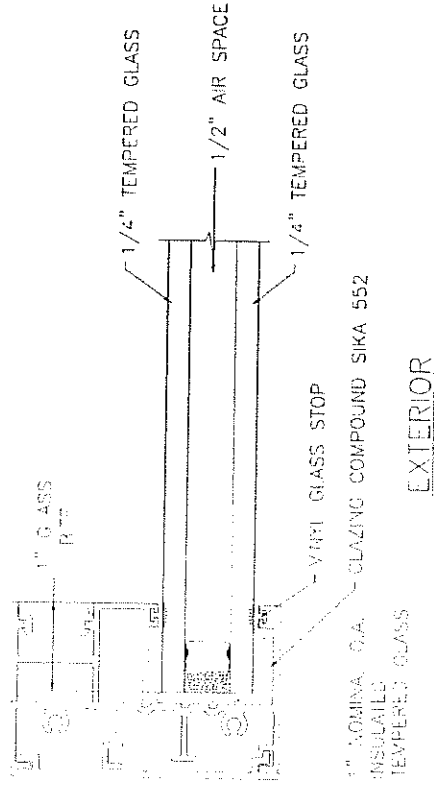
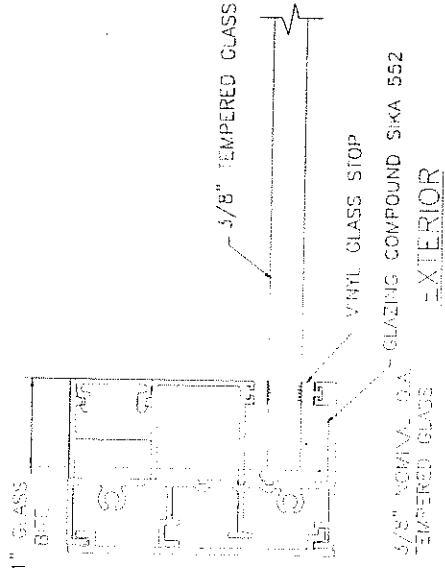
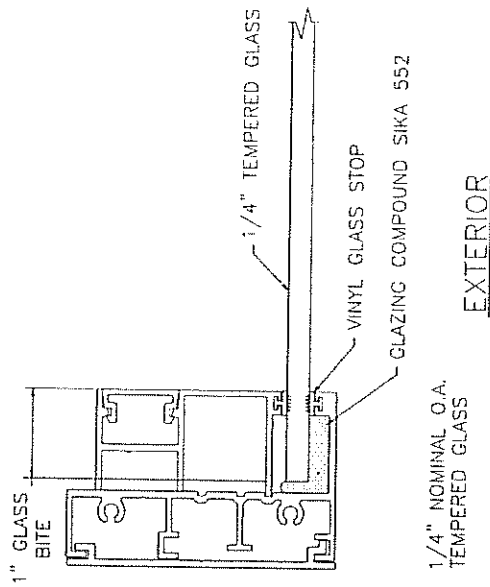
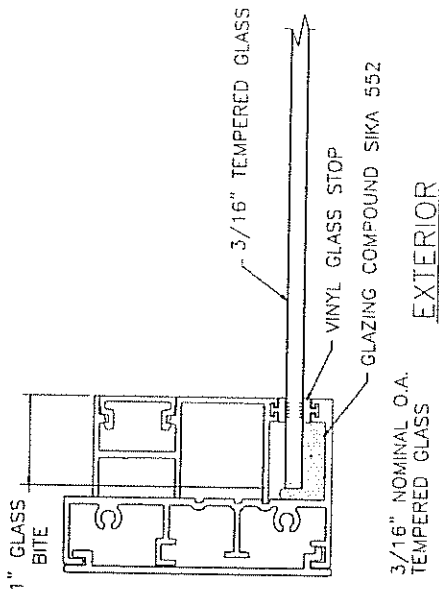
WinDoor
INCORPORATED

7500 AMSTERDAM DRIVE
ORLANDO, FL 32832
Phone: 407.481.8400
Fax: 407.481.0505
www.windowinc.com

Dwg Title: 1000 SERIES - GLAZING OPTIONS
SMALL MISSILE

SIZE	Drn By:	DWG No.	REV
-	TJH	05-08-1086	-

SCALE N.T.S. DATE: 8/10/05 SHEET 1 of 1



WinDoor
INCORPORATED

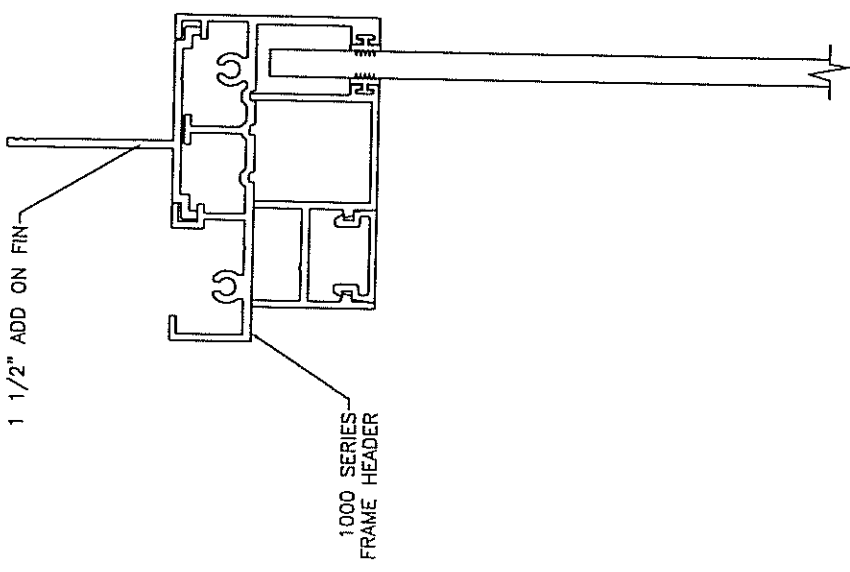
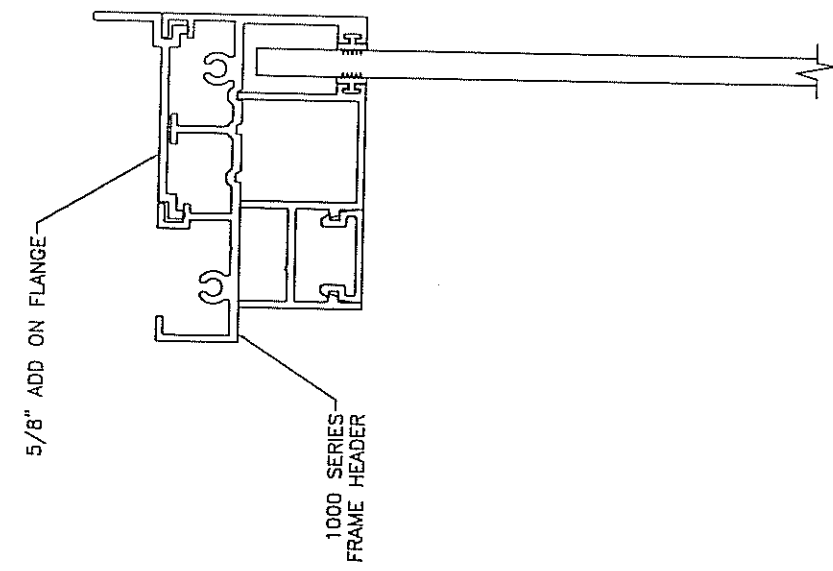
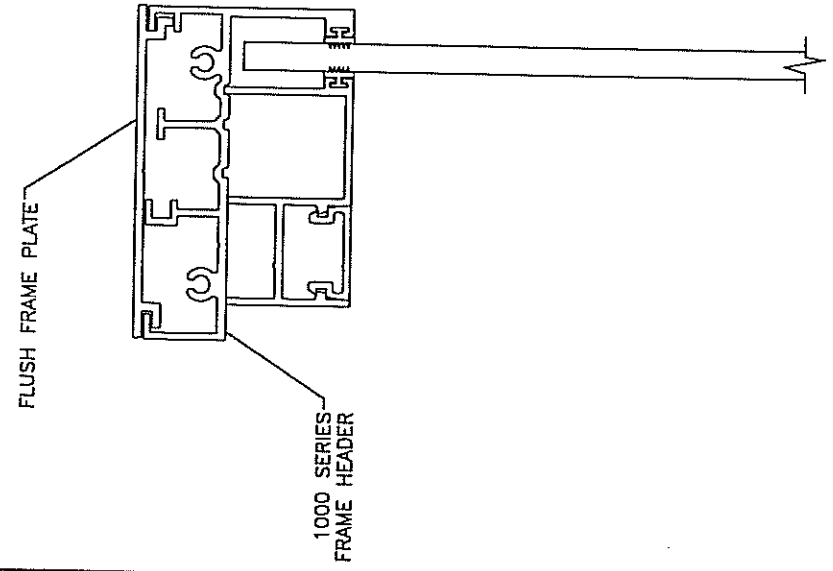
7500 AMSTERDAM DRIVE
ORLANDO, FL 32832
Phone: 407.481.8400
Fax: 407.481.0505
www.windoorinc.com

Dwg Title:

1000 SERIES - GLAZING OPTIONS
NON-IMPACT

SIZE	Drn By:	DWG NO.	REV
-	TJH	05-08-1087	-

SCALE N.T.S. DATE: 8/10/05 SHEET 1 of 1



WinDoor
INCORPORATED

7500 AMSTERDAM DRIVE
ORLANDO, FL 32832

Phone: 407.481.8400
Fax: 407.481.0505

www.windowinc.com

Dwg Title:

1000 SERIES - FRAME OPTIONS
FLUSH, FLANGE OR FIN

SIZE	Drn	By:	DWG NO.	REV
-	-	TJH	05-08-1088	-

SCALE	N.T.S.	DATE:	8/09/05	SHEET	1 of 1
-------	--------	-------	---------	-------	--------