

HIGH PERFORMANCE WINDOWS

**WinDoor**  
INCORPORATED

High Performance WinDow System

# Aluminum Single-Hung & Fixed WinDow Wall

# Operable WinDows

*Impact / Security & Non-Impact Tested*

The possibilities are endless.

All WinDoor Incorporated Single Hung Aluminum WinDows are built to your specifications. While we're showing a few combinations, there are literally thousands of ways for us to make your custom built WinDows.

The Perfect WinDow for Residential or Commercial Projects...

- Homes - Condos
- High-Rise Buildings
- Schools - Hospitals
- Apartments.

Our WinDows feature an elegant traditional styling with 21st-century technology built in for...  
Comfort  
Protection  
& Convenience.



Single Hung  
Outside Looking In

Single Hung  
Inside Looking Out

Fixed WinDow  
Inside Looking Out

## Series 4000 Single-Hung WinDow

**Single WinDow** Tested and Approved  
Maximum Size: 53" x 96"  
Design Pressures Up To:  
Non-Impact Maximum +150/- 150 Psf  
Impact Maximum +135/- 135 Psf  
Water Performance Up To: 20 Psf

**Twin WinDow** Tested and Approved  
Maximum Size: 107" x 72"  
Design Pressures Up To:  
Non-Impact Maximum +120/- 135 Psf  
Impact Maximum +135/- 135 Psf  
Water Performance Up To: 18 Psf

**Features:** Dual Balance System  
Frame Depth 3- 1/2" Double Sweep Locks  
or Double Sill Latches

*WinDoor Incorporated reserves the right to change materials design and or construction without notice or liability*

## Series 3000 Fixed WinDow

Tested and Approved  
Maximum Size: 120" x 38"  
or 60" x 108"

Design Pressures Up To:  
Non-Impact Maximum +165/- 165 Psf  
Impact Maximum +135/- 135 Psf  
Water Performance Up To: 25 Psf

## Series 4030 WinDow Wall System

Tested and Approved  
Maximum Size: 53" x 120"  
or 60" x 108"

Design Pressures Up To:  
Non-Impact Maximum +120/- 120 Psf  
Impact Maximum +120/- 120 Psf  
Water Performance Up To: 20 Psf  
WinDow Wall Not Tested for Miami Dade



TEXAS DEPARTMENT OF INSURANCE

[www.WinDoorInc.com](http://www.WinDoorInc.com)

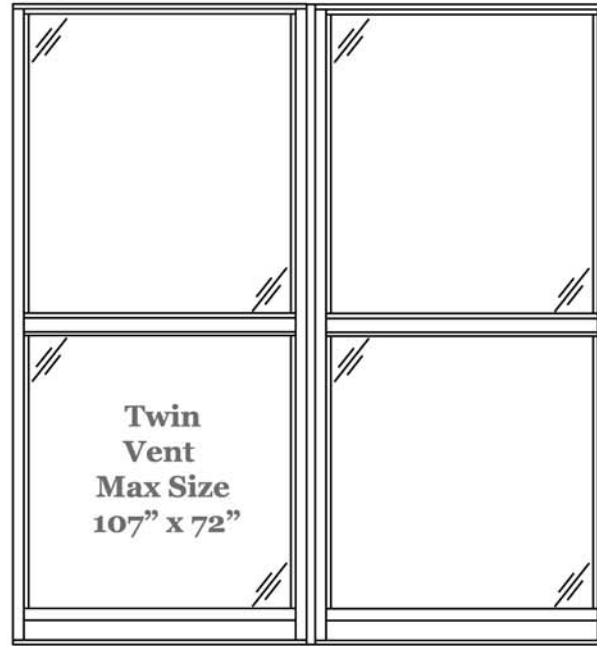
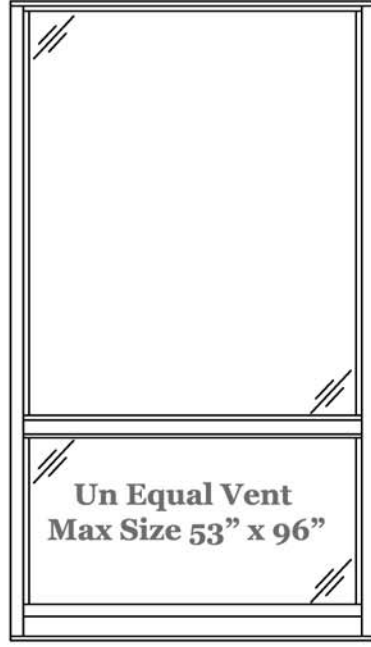
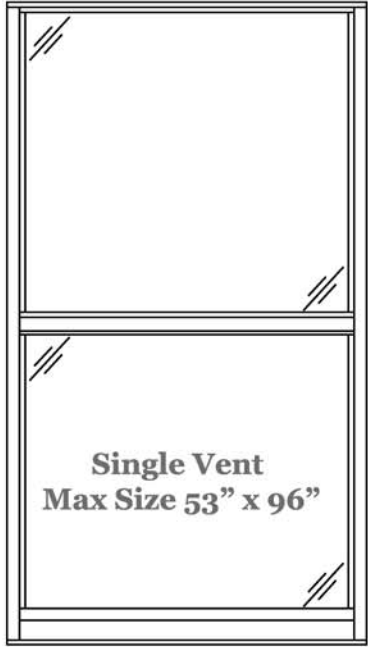
See Back For More information>>>



# Aluminum Single-Hung The possibilities are endless. & Fixed WinDow Wall

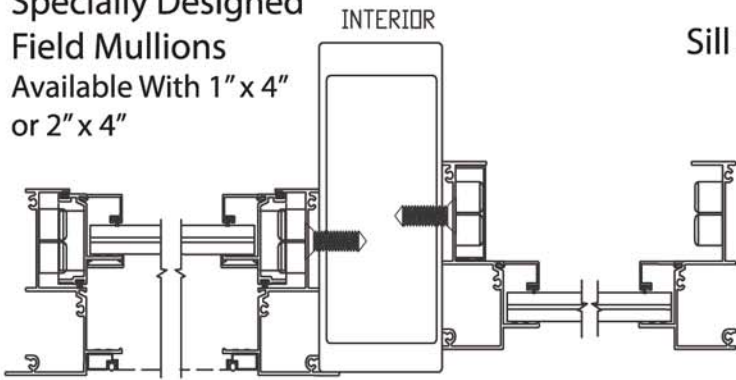
Enjoy our architectural clean and narrow sight lines combined with the strength and stability that aluminum & WinDoor Incorporated is known for.

**Available Colors:** Standard Colors - White & Bronze  
Two Tone Offerings (White / Bronze) Or you may choose a Custom Color Match or even our Woodgrain options.



WinDow Wall System Over Eleven FEET TALL

Specially Designed Field Mullions Available With 1" x 4" or 2" x 4"



2" x 4" Field Mullion Shown

