

2000 Series Fixed Window



WinDoor

INCORPORATED

Perfect For The Replacement Industry,
The New Home Builder
and The Condominium Market.

**Fixed WinDow System
Heavey Commerical Tested
DESIGN PRESSURES
UP TO +200 / -200**

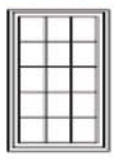
- **Hurricane/ Security Protection with Impact-Resistant Glazing:**
Large and Small Missile Certifications:
Sizes tested 48" x 120" and 60" x 96"
Design Pressures up to + 150psf/ -175psf
Large and small missile 9/16" single glaze and 1" insulated glass.

● **Impact Products Protects** against damage caused by windborne debris and intruders. Greatly reduces sound transmission and eliminates the need for unsightly and inconvenient storm shutters.

- **Non-Impact Certifications:**
Sizes tested 60" x 120", 72" x 72", 72" x 96" and 146" x 48"
Design Pressures up to +200psf/ -200psf

- **Non Impact Glazing:**
Tempered glass from 3/16" up to 1" insulated glass for locations not requiring impact glazing.

- **Muntins*:** Inside and outside muntins enhance the design. Internal muntins available for insulated glass panels.



- **Mullions:** Structural 180 degree, 135 degree and adjustable 12.5 to 30 degree mulls available.

- **Also Rated for Bomb Blast Protection**
A.T.F.P Anti-Terrorism Force Protection.
GSA Performance Condition Level 1
ASTM F-1642 Hazard Level- No Break



www.WinDoorInc.com

Impact Or Non-Impact Fixed WinDow

Low - E Glass Options: Offering a wide range of low-e glass choices that filters UV radiation that causes fading of furniture and drapery. (See glass chart available from your local WinDoor Inc dealer).

Finishes/Paint Systems: AAMA 2603, 2604* and 2605* are warranted to resist cracking, chipping, peeling and fading. Please see your authorized WinDoor, Inc. dealer for details.



Custom-Matched Colors: Custom paint can be matched to the color of any décor, We can even provide you with two different colors Inside & Out!



Tested Tuff... Impact or Non Impact Large and Small Missile Impact Certifications



*Some of the product feature are options. Please see your authorized WinDoor, Inc. dealer for details.

WinDoor Incorporated reserves the right to change materials design and or construction without notice or liability

See other side for more information>>>>

Spec Data Sheet

Spec Data Sheet

Tested Tuff... Certifications

Miami-Dade -
Texas Department of Insurance
TAS 201,
TAS 202,
TAS 203,
AAMA/NWDA 101/I.S. 2-97,
ASTM E 283-91,
ASTM 330-90,
ASTM E 331-93,
ASTM E 1886-02,
ASTM E 1996-03,
Bomb Blast Tested
Series 2000 Fixed WinDow has
been certified with a
"NO BREAK" hazard rating
per ASTM F1642-04 and a
"Performance Condition 1"
per GSATSO1-2003.



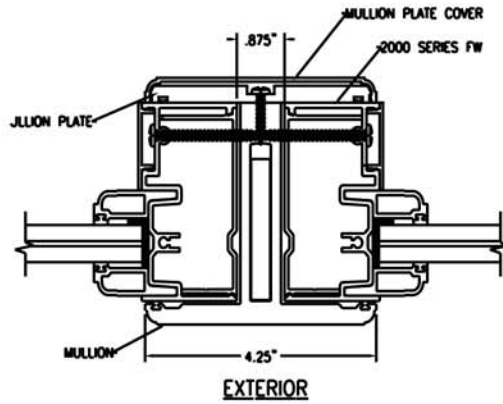
American Architectural
Manufacturers Association



TEXAS DEPARTMENT OF INSURANCE

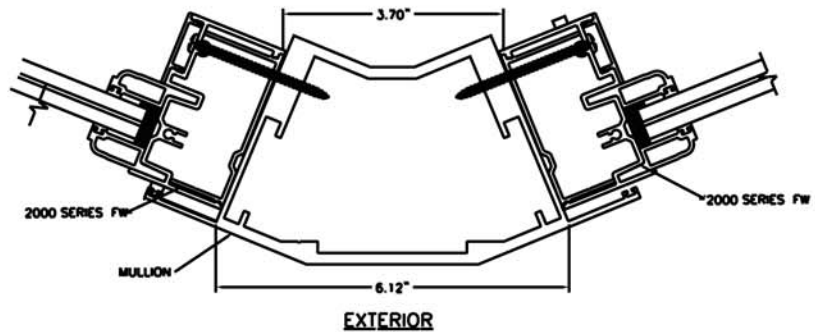


7500 Amsterdam Drive Orlando,
Florida 32832 407.481.8400
Www.WinDoorInc.Com

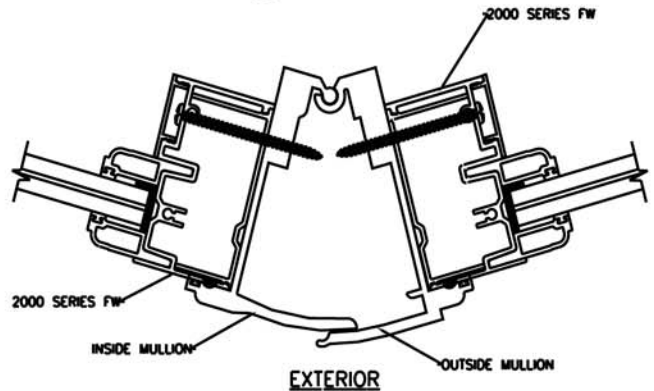


180° MULLION

135°, 180° & 12.5° - 30° ADJUSTABLE

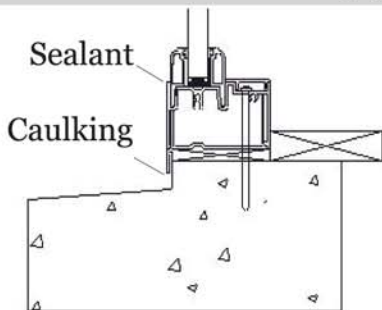


135° MULLION

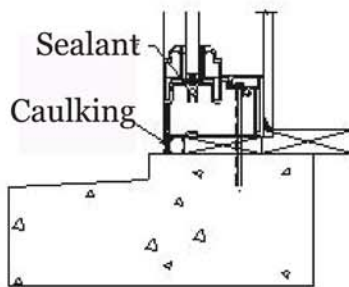


12.5° - 30°
ADJUSTABLE MULLION

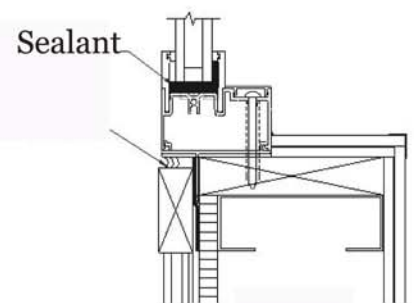
PERIMETER OPTIONS



1-1/2 Fin



5/8 Flange



Flush (Equal Leg)