



BUILDING CODE COMPLIANCE OFFICE (BCCO)  
PRODUCT CONTROL DIVISION

MIAMI-DADE COUNTY, FLORIDA  
METRO-DADE FLAGLER BUILDING  
140 WEST FLAGLER STREET, SUITE 1603  
MIAMI, FLORIDA 33130-1563  
(305) 375-2901 FAX (305) 375-2908

**NOTICE OF ACCEPTANCE (NOA)**

[www.buildingcodeonline.com](http://www.buildingcodeonline.com)

WinDoor Incorporated  
1978 Stanhome Way  
Orlando, FL 32804

**SCOPE:**

This NOA is being issued under the applicable rules and regulations governing the use of construction materials. The documentation submitted has been reviewed by Miami-Dade County Product Control Division and accepted by the Board of Rules and Appeals (BORA) to be used in Miami Dade County and other areas where allowed by the Authority Having Jurisdiction (AHJ).

This NOA shall not be valid after the expiration date stated below. The Miami-Dade County Product Control Division (In Miami Dade County) and/or the AHJ (in areas other than Miami Dade County) reserve the right to have this product or material tested for quality assurance purposes. If this product or material fails to perform in the accepted manner, the manufacturer will incur the expense of such testing and the AHJ may immediately revoke, modify, or suspend the use of such product or material within their jurisdiction. BORA reserves the right to revoke this acceptance, if it is determined by Miami-Dade County Product Control Division that this product or material fails to meet the requirements of the applicable building code.

This product is approved as described herein, and has been designed to comply with the Florida Building Code, including the High Velocity Hurricane Zone.

**DESCRIPTION: Series 1000 Aluminum Fixed Window- S.M.I.**

**APPROVAL DOCUMENT:** Drawing No. WIND0075, titled "Series 1000 Fixed Window Small Missile Elevations and General Notes", sheets 1 through 10 of 10, prepared by Product Technology Corporation, dated 10/26/05 with revision "A" 04/07/06, signed and sealed by Eric S. Nielsen, P.E., bearing the Miami-Dade County Product Control Approval stamp with the Notice of Acceptance number and approval date by the Miami-Dade County Product Control Division.

**MISSILE IMPACT RATING: Small Missile Impact**

**LABELING:** Each unit shall bear a permanent label with the manufacturer's name or logo, city, state and following statement: "Miami-Dade County Product Control Approved", unless otherwise noted herein.

**RENEWAL** of this NOA shall be considered after a renewal application has been filed and there has been no change in the applicable building code negatively affecting the performance of this product.

**TERMINATION** of this NOA will occur after the expiration date or if there has been a revision or change in the materials, use, and/or manufacture of the product or process. Misuse of this NOA as an endorsement of any product, for sales, advertising or any other purposes shall automatically terminate this NOA. Failure to comply with any section of this NOA shall be cause for termination and removal of NOA.

**ADVERTISEMENT:** The NOA number preceded by the words Miami-Dade County, Florida, and followed by the expiration date may be displayed in advertising literature. If any portion of the NOA is displayed, then it shall be done in its entirety.

**INSPECTION:** A copy of this entire NOA shall be provided to the user by the manufacturer or its distributors and shall be available for inspection at the job site at the request of the Building Official.

This NOA consists of this page 1 and evidence pages E-1, as well as approval document mentioned above. The submitted documentation was reviewed by **Jaime D. Gascon, P.E.**



*J. Gascon  
6/2/06*

NOA No 05-1114.07  
Expiration Date: June 22, 2011  
Approval Date: June 22, 2011

WinDoor Incorporated

NOTICE OF ACCEPTANCE: EVIDENCE SUBMITTED

**A. DRAWINGS**

1. Manufacturers die drawings and sections.
2. Drawing No. **WIND0075**, titled Series 1000 Fixed Window Small Missile Elevations and General", sheets 1 through 10 of 10, prepared by Product Technology Corporation, dated 10/26/05 with revision "A" on 04/07/06, signed and sealed by Eric S. Nielsen, P.E.

**B. TESTS**

1. Test reports on
  - 1) Air Infiltration Test, per FBC, TAS 202-94
  - 2) Uniform Static Air Pressure Test, Loading per FBC, TAS 202-94
  - 3) Water Resistance Test, per FBC, TAS 202-94
  - 4) Small Missile Impact Test per FBC, TAS 201-94
  - 5) Cyclic Wind Pressure Loading per FBC, TAS 203-94along with marked-up drawings and installation diagram of aluminum window wall system, prepared by National Certified Testing Laboratories, Test Report No. **NCTL-210-2971-2**, dated 12/08/03-01/22/04, signed and sealed by Gerald J. Ferrara, P.E.

**C. CALCULATIONS**

1. Revised Anchor Calculation and Structural analysis, prepared by Product Technology Corporation, dated 04/10/06, signed and sealed by Eric S. Nielsen, P.E.  
**Complies with ASTM E1300-98**

**D. QUALITY ASSURANCE**

1. Miami Dade Building Code Compliance Office (BCCO).

**E. MATERIAL CERTIFICATIONS**

1. Notice of Acceptance No. 01-0205.02 issued to Solutia Inc. for "Saflex/ Keepsafe Maximum" dated 01/17/02, expiring on 1/14/07.

**F. STATEMENTS**

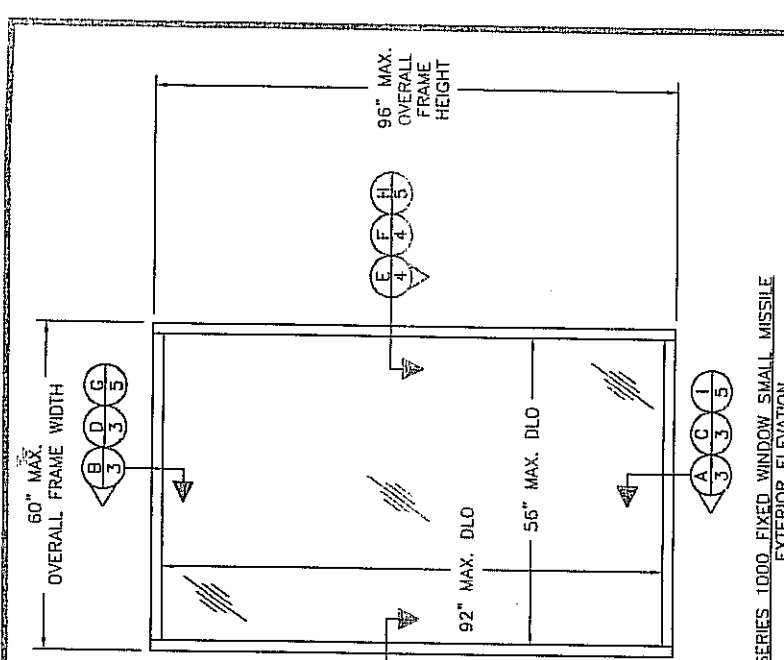
1. Statement letter of conformance and no financial interest, dated 11/08/05, signed and sealed by Eric S. Nielsen, P.E.

**G. OTHER**

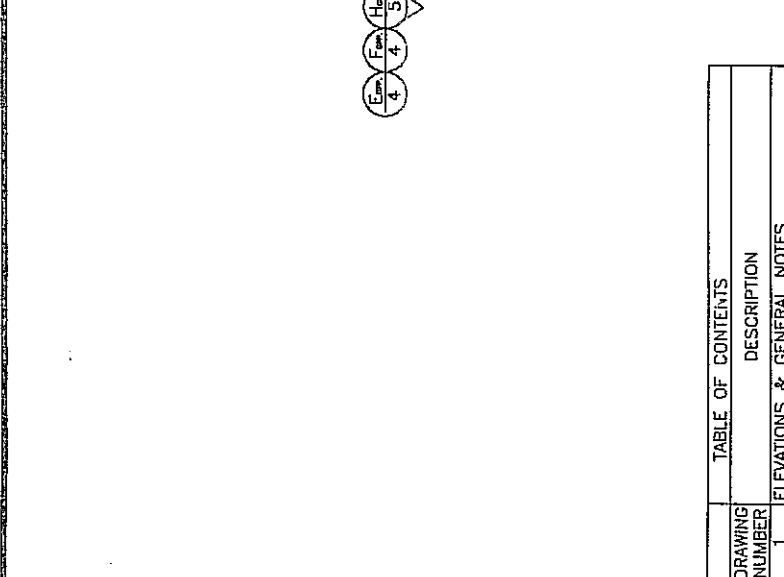
1. Letter from the consultant, dated May 24<sup>th</sup>, 2006, stating that the product is in compliance with the Florida Building Code (FBC).



Jaime D. Gascon, P.E.  
Chief, Product Control Division  
NOA No 05-1114.07  
Expiration Date: June 22, 2011  
Approval Date: June 22, 2006



SERIES 1000 FIXED WINDOW SMALL MISSILE EXTERIOR ELEVATION



SERIES 1000 FIXED WINDOW SMALL MISSILE EXTERIOR ELEVATION

DRAWING NUMBER	DESCRIPTION
1	ELEVATIONS & GENERAL NOTES
2	ANCHORING, ELEVATIONS & INSTALLATION NOTES
3	VERTICAL CROSS SECTIONS
4	HORIZONTAL CROSS SECTIONS
5	STEEL STUD CROSS SECTIONS
6	GLAZING DETAILS
7	BOM & COMPONENTS
8	COMPARATIVE ANALYSIS CHART
9	COMPARATIVE ANALYSIS CHART
10	COMPARATIVE ANALYSIS CHART

- GENERAL NOTES:**
- 1) THE PRODUCT SHOWN HEREIN IS DESIGNED AND CONSTRUCTED TO COMPLY WITH THE HIGH VELOCITY HURRICANE ZONE (HVHZ) FLORIDA BUILDING CODE, 2004 (FBC, REVISED 2005).
  - 2) WOOD BUCK OR STUD FRAMING TO BE DESIGNED AND ANCHORED TO PROPERLY TRANSFER ALL LOADS TO STRUCTURE, BUCK OR FRAMING IS RESPONSIBILITY OF ARCHITECT OF RECORD.
  - 3) PRODUCTS ARE APPROVED FOR USE WHERE SMALL MISSILE IMPACT RESISTANCE IS REQUIRED. IMPACT PROTECTIVE SYSTEM IS NOT REQUIRED.
  - 4) FOR DESIGN PRESSURE CAPACITIES SEE SHEETS 8 THRU 10.
  - 5) MATERIALS INCLUDING BUT NOT LIMITED TO STEEL/ METAL SCREWS, THAT COME INTO CONTACT WITH OTHER DISSIMILAR MATERIALS SHALL MEET THE REQUIREMENTS OF 2004 FLORIDA BUILDING CODE SECTION 2003.8.4

Prepared as requested with the Florida Building Code 2004 12-2-04  
 4049 05-11-04  
 WinDoor Product Development  
 By: [Signature]

1978 STANHOME WAY  
 ORLANDO, FL 32804  
 Phone 407.622.0000  
 Fax 407.622.0000  
 www.win-door.com

**WinDoor**  
 INCORPORATED

1778 STANHOME WAY  
 ORLANDO, FL 32804  
 Phone 407.622.0000  
 Fax 407.622.0000

DATE: 10/26/05  
 SCALE: N.T.S.  
 REV: A

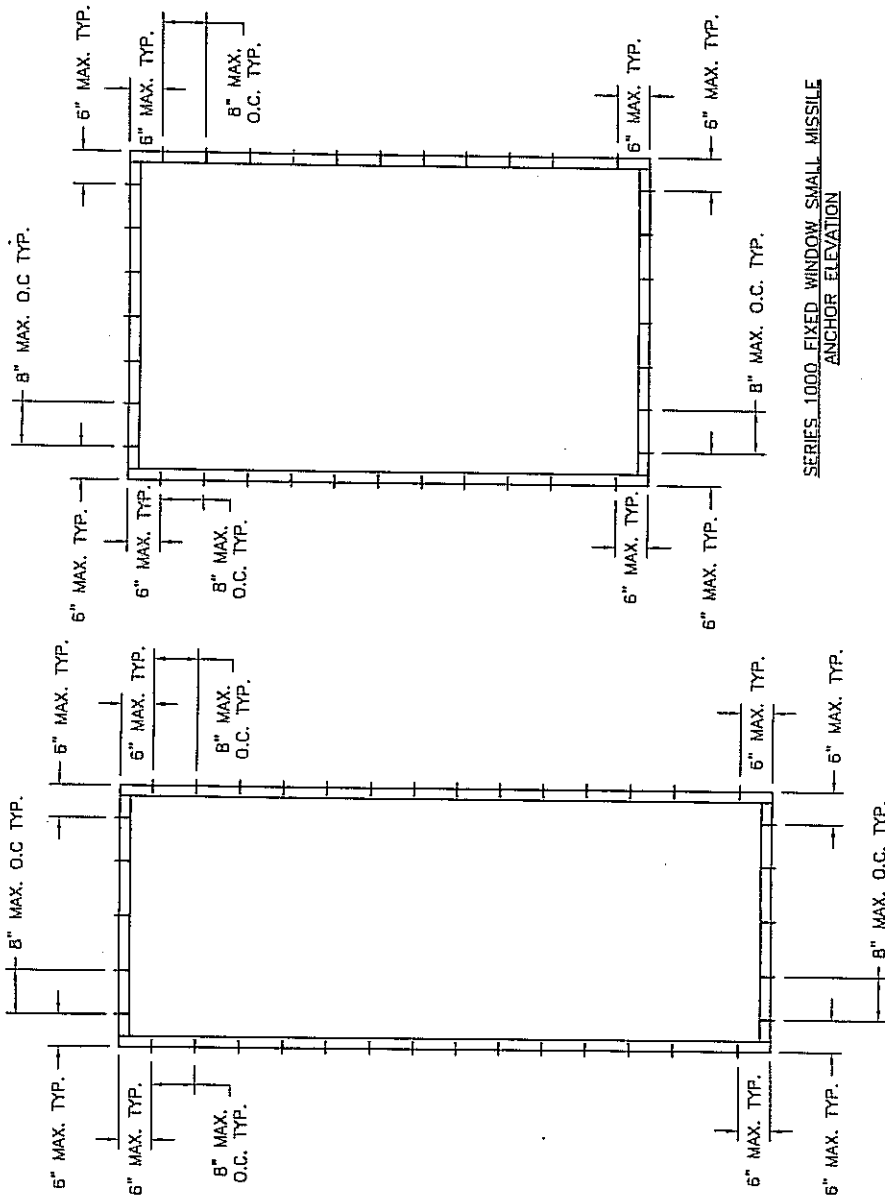
1 OF 10

5/11/06  
 Eric S. Hilsen  
 Florida P. E. No. 41323  
 Product Technology Corporation  
 1150 Louisiana Ave., Suite 6  
 Winter Park, Florida 32789  
 State Certificate of Registration No. 8981

SYN	REVISION	DATE	BY
1	CHANGES PER WOOD BUCK LETTER - 07/18/05	04/27/06	UH

**INSTALLATION NOTES:**

- 1) SHIM AS REQUIRED AT EACH SET OF INSTALLATION ANCHORS USING LOAD BEARING SHIMS, FROM FRONT EDGE TO BACK EDGE TO FULLY SUPPORT FRAME. MAXIMUM ALLOWABLE SHIM STACK TO BE 1/4". USE SHIMS WHERE A SPACE GREATER THAN 1/16" IS PRESENT.
- 2) USE BACKER ROD AND SEALANT BETWEEN SHIM LOCATIONS.
- 3) ONE (1) ANCHOR IS REQUIRED AT EACH ANCHOR LOCATION SHOWN.
- 4) ALL WINDOWS SMALLER THAN SHOWN WILL HAVE ANCHORS LOCATED 6" MAXIMUM FROM CORNERS EACH WAY AND 8" ON CENTER MAXIMUM ON ALL SIDES.
- 5) USE 1/4" DIAMETER ELCO CRETE-FLEX SS4 TYPE MASONRY SCREW ANCHORS OF SUFFICIENT LENGTH TO ACHIEVE 1 1/4" MINIMUM EMBEDMENT, WITH A 2 1/2" MINIMUM EDGE DISTANCE INTO CONCRETE OR MASONRY SUBSTRATE WHERE ONE BY NON-STRUCTURAL WOOD BACKING IS EMPLOYED.
- 6) USE #14 WOOD SCREWS OF SUFFICIENT LENGTH TO ACHIEVE 1 1/2" MINIMUM EMBEDMENT, WITH A MINIMUM EDGE DISTANCE AND SPACING INTO WOOD SUBSTRATE TO PREVENT SPLITTING OF THE WOOD SUBSTRATE. Ⓞ
- 7) USE #14 WOOD SCREWS OF SUFFICIENT LENGTH TO ACHIEVE 1 1/2" MINIMUM EMBEDMENT, WITH A MINIMUM EDGE DISTANCE AND SPACING INTO WOOD SUBSTRATE TO PREVENT SPLITTING OF THE WOOD SUBSTRATE INSIDE THE STEEL STUD. Ⓞ
- 8) USE #10 X 1 1/4" TEK SCREW IN GLASS STOP 4" FROM CORNERS AND 8" ON CENTER MAXIMUM THEREAFTER. USE A MINIMUM EDGE DISTANCE INTO STEEL STUD SUBSTRATE TO PREVENT SHEARING OF THE SUBSTRATE



SERIES 1000 FIXED WINDOW SMALL MISSILE ANCHOR ELEVATION

SERIES 1000 FIXED WINDOW SMALL MISSILE ANCHOR ELEVATION

Approved as existing with this  
 Plans by *[Signature]*  
 Date: 10/23/06  
 NO. 05-1114-01  
 Miami Trade Products Corporation  
 Division  
 BY: *[Signature]*

1978 STANHOPE WAY  
 ORLANDO, FL 32804  
 Phone: 407.622.8100  
 Fax: 407.622.8105  
 www.windoorinc.com

**WinDoor**  
 INCORPORATED

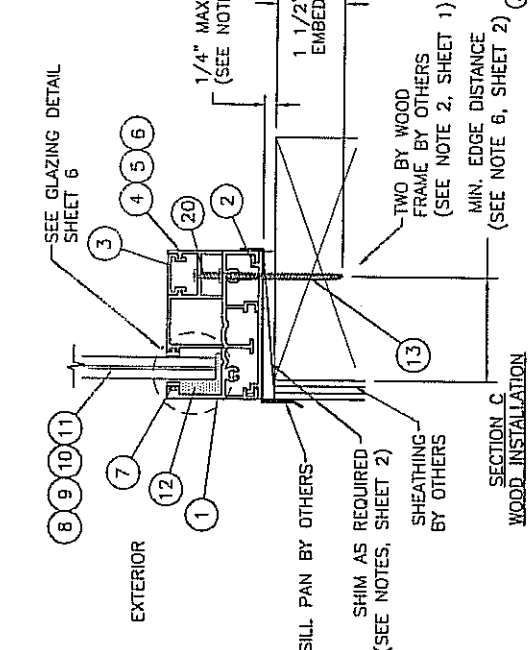
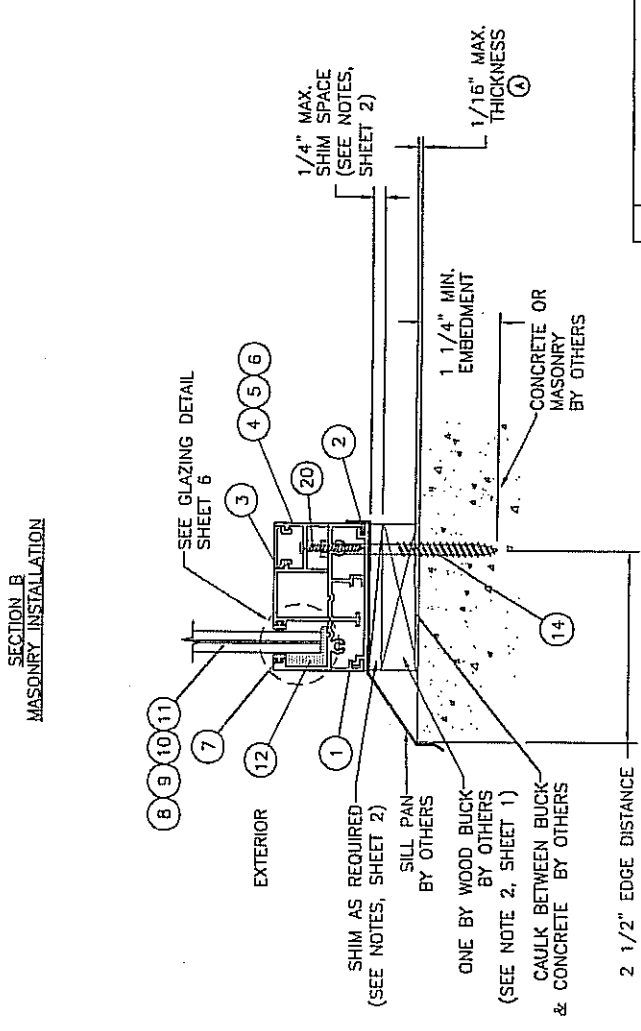
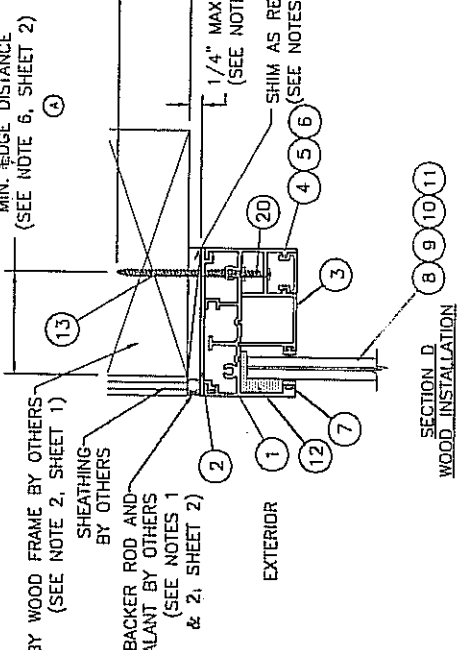
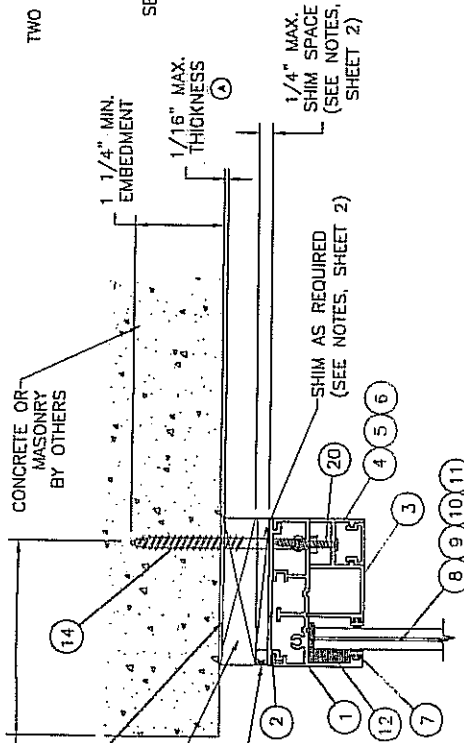
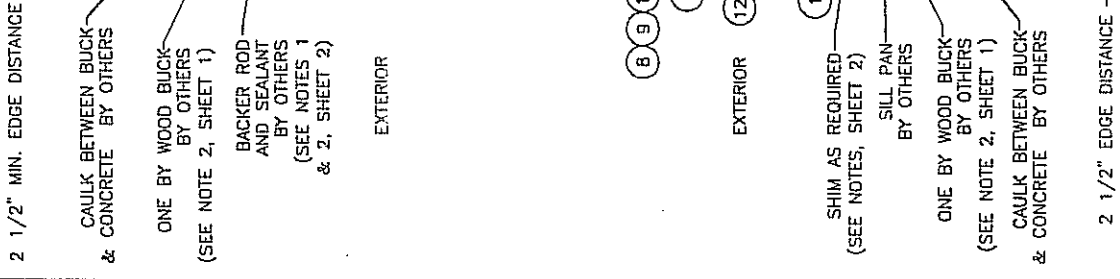
PROJECT NO. 05-1114-01  
 DATE: 10/26/05  
 SCALE: N.T.S.  
 SHEET: 2 OF 10

ANCHORING ELEVATIONS AND INSTALLATION NOTES

Product Technology Corporation  
 Phone: 407.622.8133 Fax: 407.622.8135

*[Signature]*  
 5/11/06  
 Eric S. Nielsen  
 Florida P. E. No. 41323  
 Product Technology Corporation  
 1150 Louisiana Ave., Suite 6  
 Winter Park, Florida 32789  
 FPPE Certificate of Authorization NO. 5881

SYN	REVISION	DATE	BY
Ⓞ	CHANGES PER TRADE-CODE LETTER - 07/16/06	04/27/06	NRH



Approved as submitted with the Florida Building Code  
 Date: 04/22/16  
 DRAWN BY: JVS  
 CHECKED BY: N.T.S.  
 BY: [Signature]  
 PROJECT: 1000 FIXED WINDOW SMALL MISSILE

**WinDoot**  
 INCORPORATED  
 1978 STANHOME WAY  
 ORLANDO, FL 32804  
 407.422.0333  
 www.windootinc.com

TITLE: SERIES 1000 FIXED WINDOW SMALL MISSILE  
 PREPARED BY: JVS  
 DATE: 10/26/05  
 SCALE: N.T.S.  
 DWG. NO.: WIND0075  
 REV: A  
 SHEET: 3 OF 10

Phone: 407.422.0333  
 Fax: 407.422.0333

Eric S. Nelson  
 Florida, U.S.A. Corporation  
 Product Technology, Inc. Corporation  
 1150 Lantana Ave., Suite 6  
 Winter Park, Florida 32789  
 FPPE Certificate of Authorization No. 8891

SYN	DATE	BY	REVISION
6	04/07/06	JVS	POWERED FOR WOOD-BACK DETAIL - 07/16/06

SECTION A  
 MASONRY INSTALLATION

SECTION B  
 MASONRY INSTALLATION

SECTION D  
 WOOD INSTALLATION

SECTION C  
 WOOD INSTALLATION

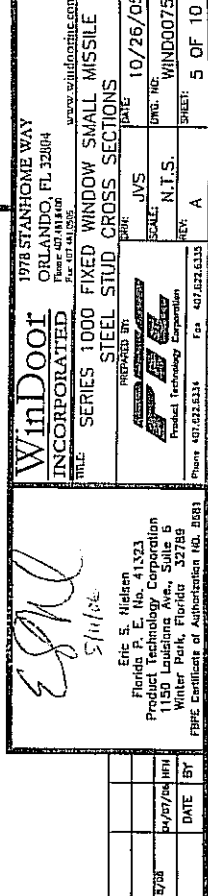
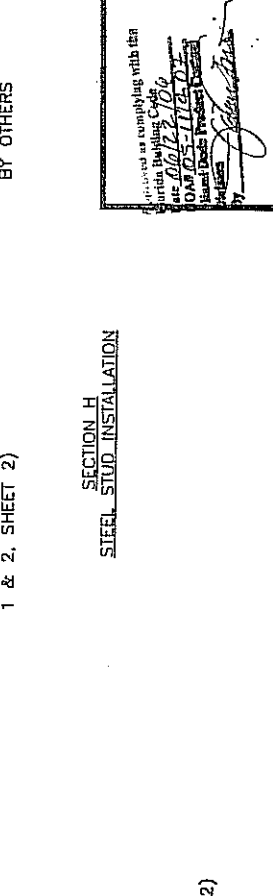
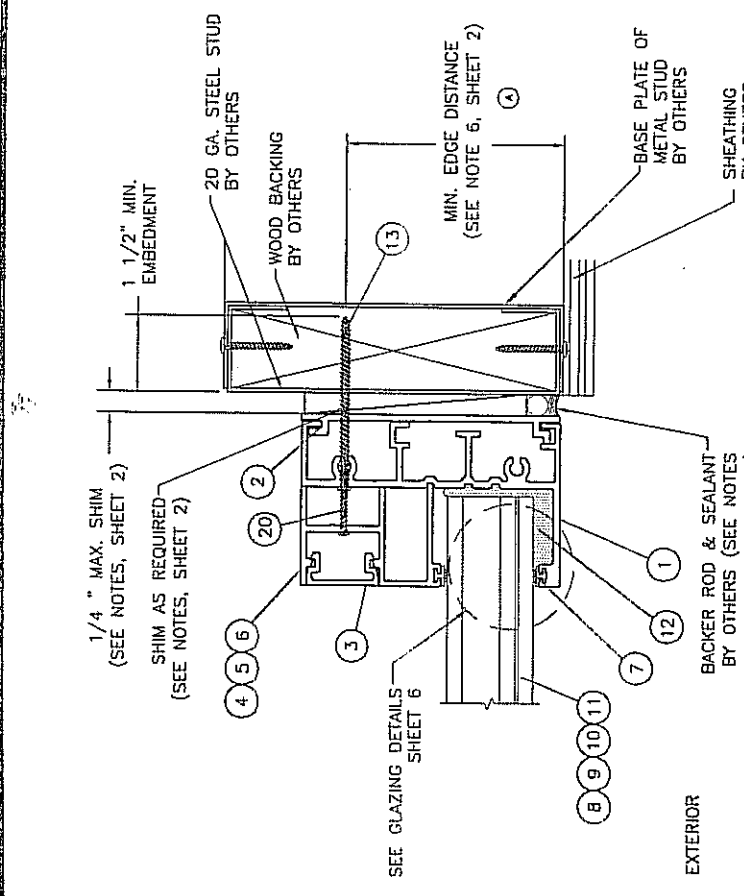
SEE GLAZING DETAIL  
 SHEET 6

SEE GLAZING DETAIL  
 SHEET 6

SEE GLAZING DETAIL  
 SHEET 6

SEE GLAZING DETAIL  
 SHEET 6





Approved as complying with the Florida Building Code  
 Date: 06/23/06  
 10405-1170-DE  
 James Davis Product Designer  
 J. Davis

1978 STANHOME WAY  
 ORLANDO, FL 32804  
 Phone: 407.814.6100  
 Fax: 407.814.6255  
 www.windoorinc.com

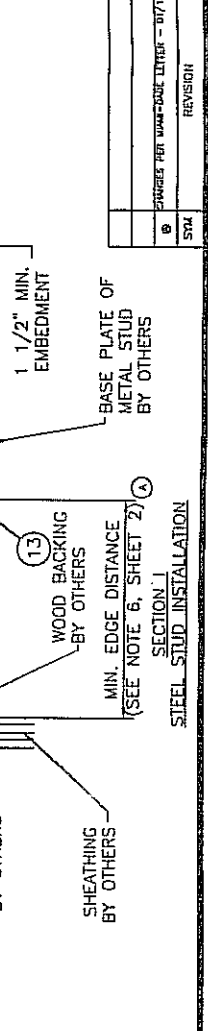
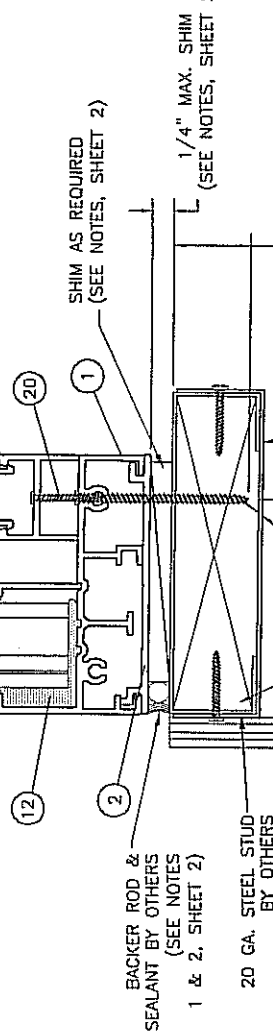
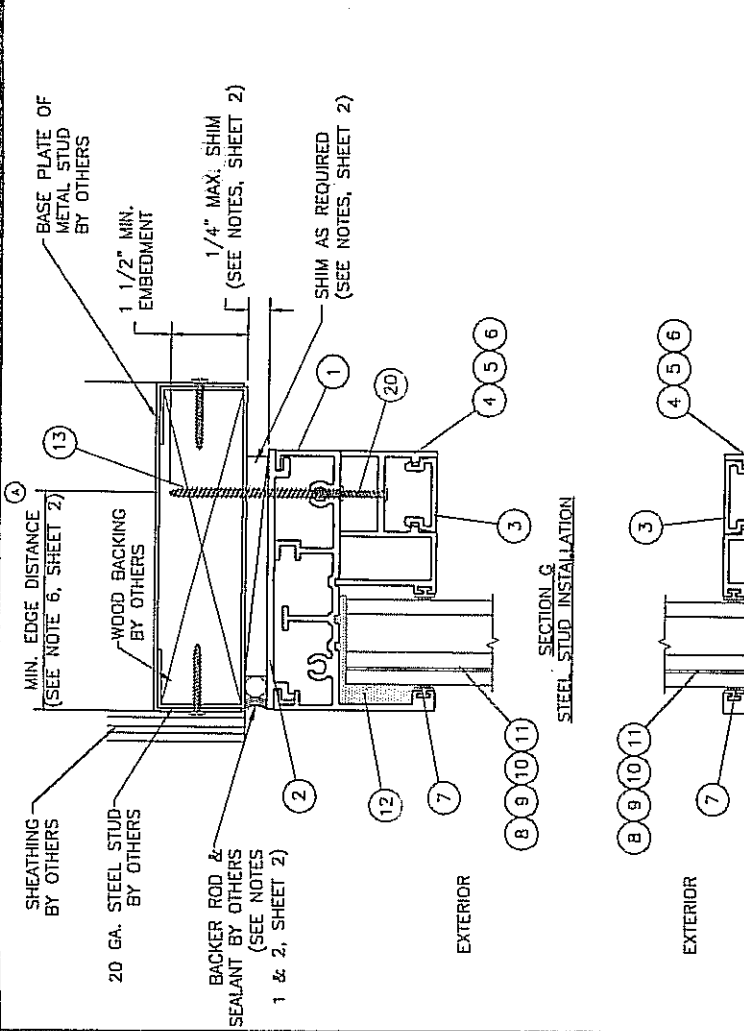
**Windoor INCORPORATED**  
 PREPARED BY: JVS  
 DATE: 10/26/05  
 SCALE: N.T.S.  
 REV: A

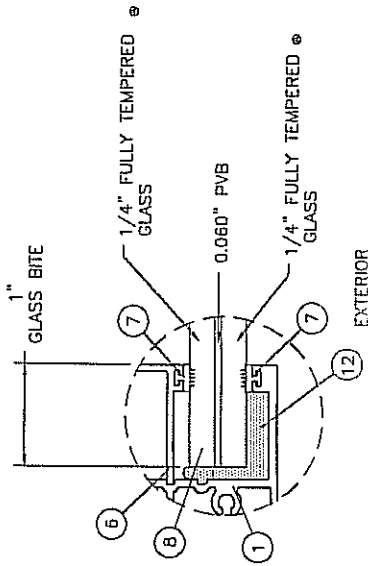
PROJECT: SERIES 1000 FIXED WINDOW SMALL MISSILE  
 WINDOW CROSS SECTIONS  
 STEEL STUD INSTALLATION

Sheet 5 OF 10

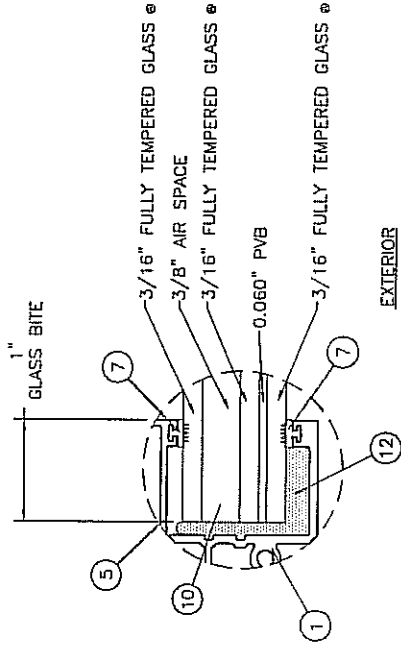
Eric S. Hilsen  
 Florida P. E. No. 41323  
 Product Technology Corporation  
 1150 Louisiana Ave., Suite 5  
 Winter Park, Florida 32789  
 PEBC Certificate of Authorization No. 2083

DATE: 04/07/04  
 BY: STM

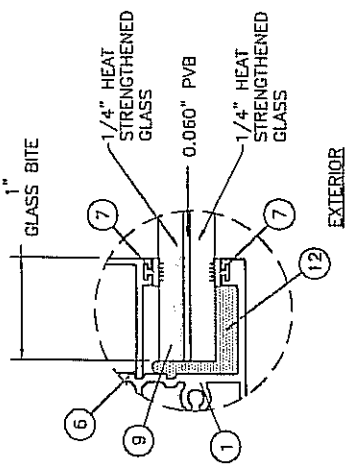




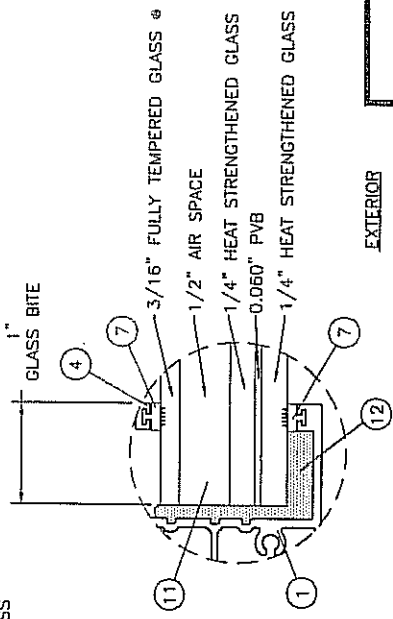
GLAZING DETAIL A  
 9/16" NOMINAL O.A.  
 LAMINATED TEMPERED  
 SMALL MISSILE IMPACT GLASS



GLAZING DETAIL C  
 1" NOMINAL O.A.  
 INSULATED TEMPERED  
 SMALL MISSILE IMPACT GLASS



GLAZING DETAIL B  
 9/16" NOMINAL O.A.  
 LAMINATED HEAT STRENGTHENED  
 SMALL MISSILE IMPACT GLASS



GLAZING DETAIL D  
 1 1/4" NOMINAL O.A.  
 INSULATED HEAT STRENGTHENED/TEMPERED  
 SMALL MISSILE IMPACT GLASS

Approved as existing with this  
 Florida Building Code  
 Date: 06/22/00  
 NOAH 05-117E-02  
 Michael P. DePaulo  
 Director  
 By: [Signature]

1978 STAMHOME WAY  
 ORLANDO, FL 32804  
 Phone: 407.622.6334 Fax: 407.622.6333  
 www.windoorinc.com

**WinDoor**  
 INCORPORATED  
 PREPARED BY: JVS  
 DATE: 10/26/05  
 SCALE: N.T.S.  
 DWG. NO.: WIND00075  
 REV: A  
 SHEET: 6 OF 10

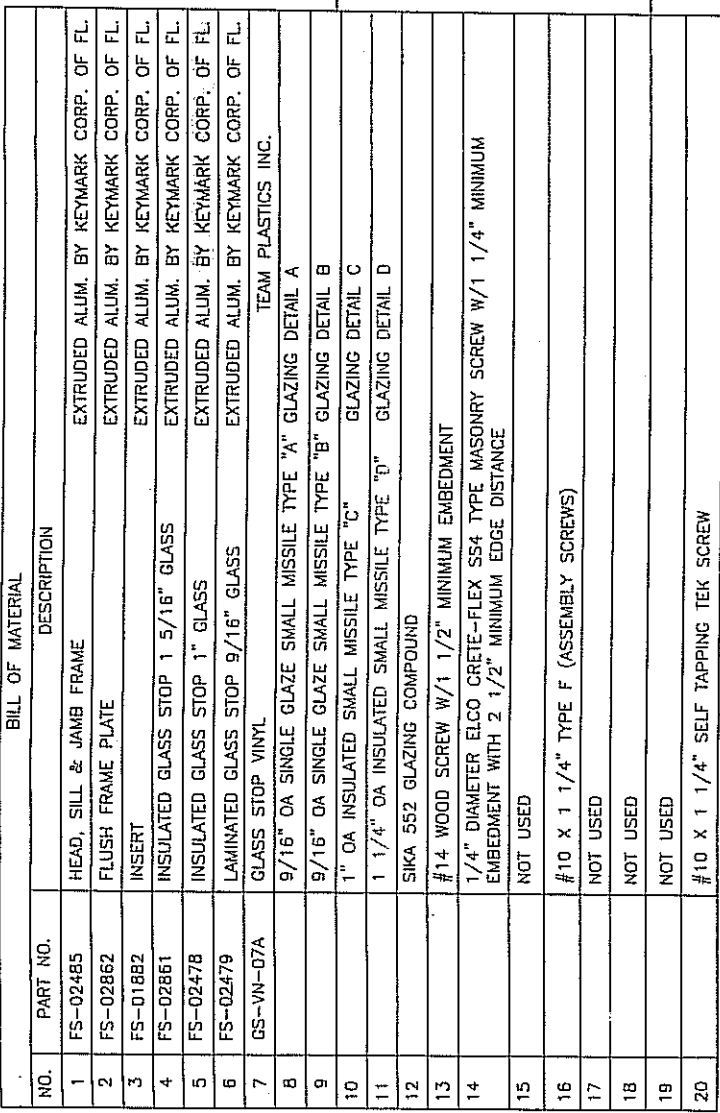
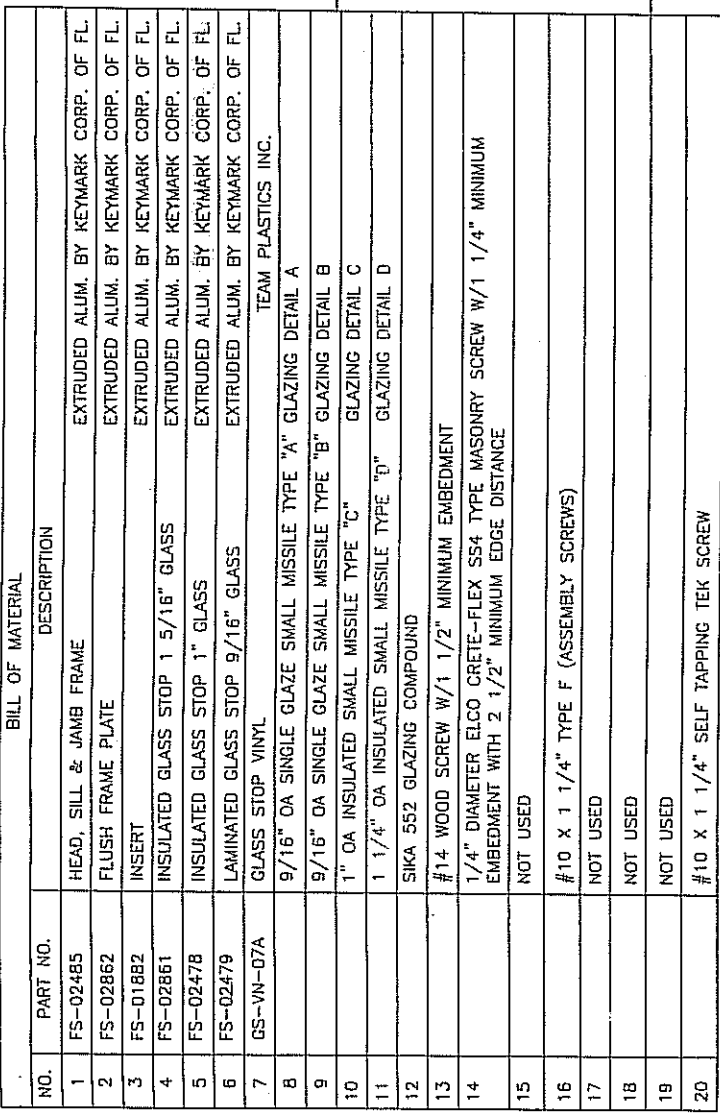
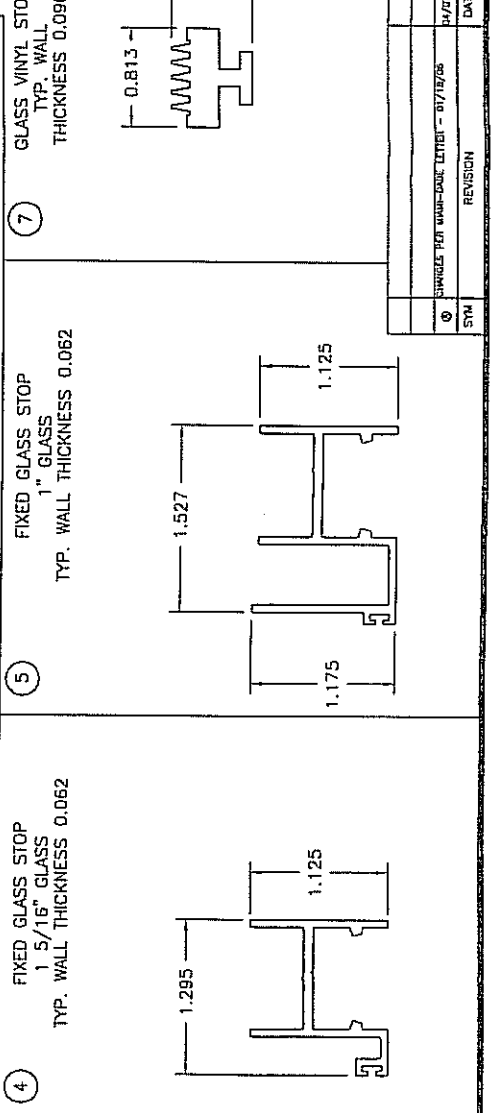
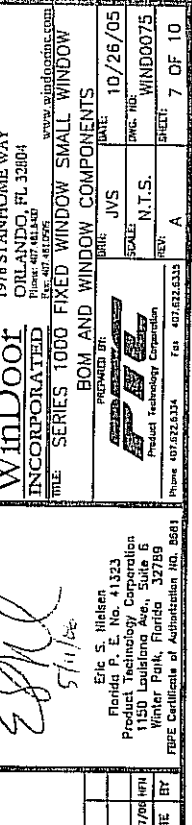
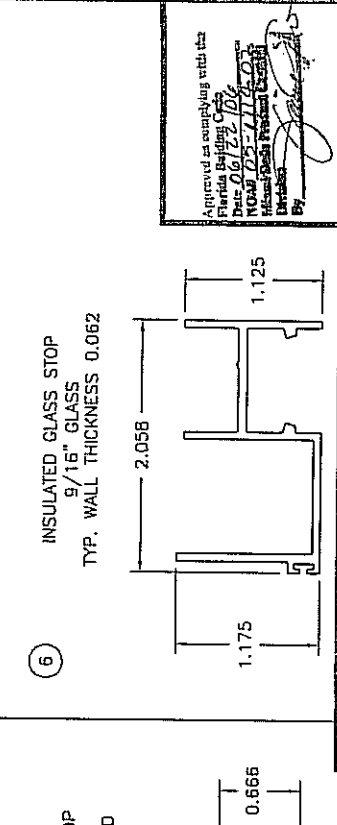
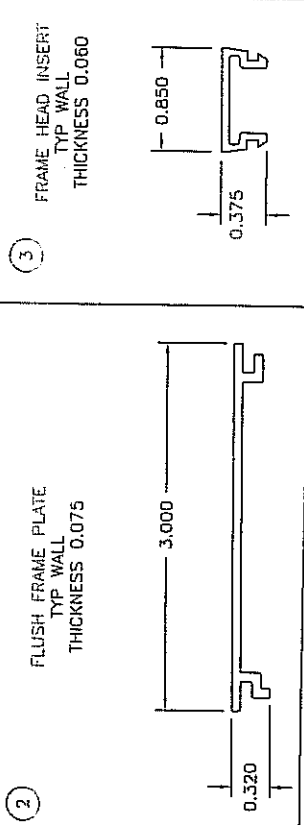
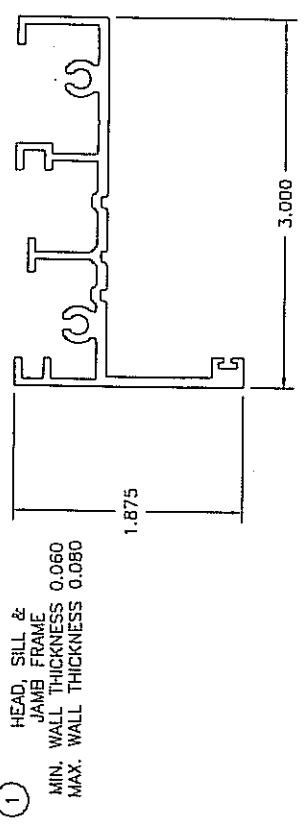
FILE: SERIES 1000 FIXED WINDOW SMALL MISSILE  
 GLAZING DETAILS

Eric S. Melan  
 Florida P. E. No. 41323  
 Product Technology Corporation  
 1150 Louisiana Ave., Suite 6  
 Winter Park, Florida 32789  
 P.E. Certificate of Authorization No. 0581

5/11/06

NO.	REVISION	DATE	BY
1	CHANGES PER MARK-DONALD LETTER - 07/18/06	5/1/07/06	JVS
2	SYM		

BILL OF MATERIAL	
NO.	PART NO. DESCRIPTION
1	FS-02485 HEAD, SILL & JAMB FRAME EXTRUDED ALUM. BY KEYMARK CORP. OF FL.
2	FS-02862 FLUSH FRAME PLATE EXTRUDED ALUM. BY KEYMARK CORP. OF FL.
3	FS-01882 INSERT EXTRUDED ALUM. BY KEYMARK CORP. OF FL.
4	FS-02861 INSULATED GLASS STOP 1 5/16" GLASS EXTRUDED ALUM. BY KEYMARK CORP. OF FL.
5	FS-02478 INSULATED GLASS STOP 1" GLASS EXTRUDED ALUM. BY KEYMARK CORP. OF FL.
6	FS-02479 LAMINATED GLASS STOP 9/16" GLASS EXTRUDED ALUM. BY KEYMARK CORP. OF FL.
7	GS-VN-07A GLASS STOP VINYL TEAM PLASTICS INC.
8	9/16" OA SINGLE GLAZE SMALL MISSILE TYPE "A" GLAZING DETAIL A
9	9/16" OA SINGLE GLAZE SMALL MISSILE TYPE "B" GLAZING DETAIL B
10	1" OA INSULATED SMALL MISSILE TYPE "C" GLAZING DETAIL C
11	1 1/4" OA INSULATED SMALL MISSILE TYPE "D" GLAZING DETAIL D
12	SIKA 552 GLAZING COMPOUND
13	#14 WOOD SCREW W/1 1/2" MINIMUM EMBEDMENT
14	1/4" DIAMETER ELCO CRETE-FLEX SS4 TYPE MASONRY SCREW W/1 1/4" MINIMUM EMBEDMENT WITH 2 1/2" MINIMUM EDGE DISTANCE
15	NOT USED
16	#10 X 1 1/4" TYPE F (ASSEMBLY SCREWS)
17	NOT USED
18	NOT USED
19	NOT USED
20	#10 X 1 1/4" SELF TAPPING TEK SCREW



Approved as complying with the Florida Building Code  
 Date: 06/21/10  
 Name: [Signature]  
 Title: [Signature]

1978 STANHOME WAY  
 ORLANDO, FL 32804  
 Phone: 407.481.8400  
 Fax: 407.481.8295  
 www.windoorinc.com

**Windoor INCORPORATED**  
 BOM AND WINDOW COMPONENTS

PROJECT BY: JVS  
 DATE: 10/26/05  
 SCALE: N.T.S.  
 DWG. NO: WIND0075  
 REV: A  
 SHEET: 7 OF 10

Eric S. Nielsen  
 Florida P. E. No. 41323  
 Product Technology Corporation  
 1150 Louisiana Ave., Suite 6  
 Winter Park, Florida 32789  
 PEPE Certificate of Authorization No. 8681

5/11/06

SYN	REVISION	DATE	BY
1	CHANGES FOR WIND-006 LETTER - 01/10/06	01/27/06	EPN

**Comparative Analysis Chart  
Series 1000 Aluminum Fixed Picture Window  
Small Missile Impact Units**

Window size in inches	Type "A" Calculated design pressure capacity in psf		Type "B" Calculated design pressure capacity in psf		Type "C" Calculated design pressure capacity in psf		Type "D" Calculated design pressure capacity in psf	
	Positive	Negative	Positive	Negative	Positive	Negative	Positive	Negative
24 " X 36 "	+ 150	- 175	+ 120	- 150	+ 134	- 150	+ 120	- 150
24 " X 42 "	+ 150	- 175	+ 120	- 150	+ 134	- 150	+ 120	- 150
24 " X 48 "	+ 150	- 175	+ 120	- 150	+ 134	- 150	+ 120	- 150
24 " X 54 "	+ 150	- 175	+ 120	- 150	+ 134	- 150	+ 120	- 150
24 " X 60 "	+ 150	- 175	+ 120	- 150	+ 134	- 150	+ 120	- 150
24 " X 66 "	+ 150	- 175	+ 120	- 150	+ 134	- 150	+ 120	- 150
24 " X 72 "	+ 150	- 175	+ 120	- 150	+ 134	- 150	+ 120	- 150
24 " X 78 "	+ 150	- 175	+ 120	- 150	+ 134	- 150	+ 120	- 150
24 " X 84 "	+ 150	- 175	+ 120	- 150	+ 134	- 150	+ 120	- 150
24 " X 90 "	+ 150	- 175	+ 120	- 150	+ 134	- 150	+ 120	- 150
24 " X 96 "	+ 150	- 175	+ 120	- 150	+ 134	- 150	+ 120	- 150
24 " X 102 "	+ 150	- 175	+ 120	- 150	+ 134	- 150	+ 120	- 150
24 " X 108 "	+ 150	- 175	+ 120	- 150	+ 134	- 150	+ 120	- 150
24 " X 114 "	+ 150	- 175	+ 120	- 150	+ 134	- 150	+ 120	- 150
24 " X 120 "	+ 150	- 175	+ 120	- 150	+ 134	- 150	+ 120	- 150
30 " X 36 "	+ 150	- 175	+ 120	- 150	+ 134	- 150	+ 120	- 150
30 " X 42 "	+ 150	- 175	+ 120	- 150	+ 134	- 150	+ 120	- 150
30 " X 48 "	+ 150	- 175	+ 120	- 150	+ 134	- 150	+ 120	- 150
30 " X 54 "	+ 150	- 175	+ 120	- 150	+ 134	- 150	+ 120	- 150
30 " X 60 "	+ 150	- 175	+ 120	- 150	+ 134	- 150	+ 120	- 150
30 " X 66 "	+ 150	- 175	+ 120	- 150	+ 134	- 150	+ 120	- 150
30 " X 72 "	+ 150	- 175	+ 120	- 150	+ 134	- 150	+ 120	- 150
30 " X 78 "	+ 150	- 175	+ 120	- 150	+ 134	- 150	+ 120	- 150
30 " X 84 "	+ 150	- 175	+ 120	- 150	+ 134	- 150	+ 120	- 150
30 " X 90 "	+ 150	- 175	+ 120	- 150	+ 134	- 150	+ 120	- 150
30 " X 96 "	+ 150	- 175	+ 120	- 150	+ 134	- 150	+ 120	- 150
30 " X 102 "	+ 150	- 175	+ 120	- 150	+ 134	- 150	+ 120	- 150
30 " X 108 "	+ 150	- 175	+ 120	- 150	+ 134	- 150	+ 120	- 150
30 " X 114 "	+ 150	- 175	+ 120	- 150	+ 134	- 150	+ 120	- 150
30 " X 120 "	+ 150	- 175	+ 120	- 150	+ 134	- 150	+ 120	- 150

Approved as submitted with this Florida Building Code  
 Date: 04/22/09  
 NCMB 25-1174-03  
 By: [Signature]

**Windoor INCORPORATED**  
 1978 STANHOPE WAY  
 ORLANDO, FL 32804  
 Phone: 407.481.8400  
 Fax: 407.481.2505  
 www.windoorinc.com

**Product Technology Corporation**  
 PREPARED BY: [Signature]  
 SCALE: N.T.S.  
 DATE: JVS 10/26/05  
 DWG. NO: WIND00075  
 SHEET: A  
 REV: A  
 OF: 10

**COMPARATIVE ANALYSIS CHART**  
 TITLE: SERIES 1000 FIXED WINDOW SMALL MISSILE

*Eric S. Nielsen*  
 Eric S. Nielsen  
 Florida P. E. No. 41323  
 Product Technology Corporation  
 1150 Louisiana Ave., Suite 5  
 Winter Park, Florida 32789  
 FBPE Certificate of Authorization No. 6681

SYN	REVISION	DATE	BY
0	ISSUES FOR WIND-DOOR ACTION - 07/19/05	09/07/04	HTH

**Comparative Analysis Chart**  
**Series 1000 Aluminum Fixed Picture Window**  
**Small Missile Impact Units**

Window size in inches	Type "A" Calculated design pressure capacity in psf		Type "B" Calculated design pressure capacity in psf		Type "C" Calculated design pressure capacity in psf		Type "D" Calculated design pressure capacity in psf	
	Positive	Negative	Positive	Negative	Positive	Negative	Positive	Negative
36" X 36"	+ 150	- 175	+ 120	- 150	+ 134	- 150	+ 120	- 150
36" X 42"	+ 150	- 175	+ 120	- 150	+ 134	- 150	+ 120	- 150
36" X 48"	+ 150	- 175	+ 120	- 150	+ 134	- 150	+ 120	- 150
36" X 54"	+ 150	- 175	+ 120	- 150	+ 134	- 150	+ 120	- 150
36" X 60"	+ 150	- 175	+ 120	- 150	+ 134	- 150	+ 120	- 150
36" X 66"	+ 150	- 175	+ 120	- 150	+ 134	- 150	+ 120	- 150
36" X 72"	+ 150	- 175	+ 120	- 150	+ 134	- 150	+ 120	- 150
36" X 78"	+ 150	- 175	+ 120	- 148	+ 134	- 150	+ 120	- 148
36" X 84"	+ 150	- 175	+ 120	- 145	+ 134	- 150	+ 120	- 145
36" X 90"	+ 150	- 175	+ 120	- 142	+ 134	- 150	+ 120	- 142
36" X 96"	+ 150	- 175	+ 120	- 140	+ 134	- 150	+ 120	- 140
36" X 102"	+ 150	- 175	+ 120	- 138	+ 134	- 150	+ 120	- 138
36" X 108"	+ 150	- 175	+ 120	- 136	+ 134	- 150	+ 120	- 136
36" X 114"	+ 150	- 175	+ 120	- 135	+ 134	- 150	+ 120	- 135
36" X 120"	+ 150	- 175	+ 120	- 134	+ 134	- 150	+ 120	- 134
42" X 36"	+ 150	- 175	+ 120	- 150	+ 134	- 150	+ 120	- 150
42" X 42"	+ 150	- 175	+ 120	- 150	+ 134	- 150	+ 120	- 150
42" X 48"	+ 150	- 175	+ 120	- 150	+ 134	- 150	+ 120	- 150
42" X 54"	+ 150	- 175	+ 120	- 150	+ 134	- 150	+ 120	- 150
42" X 60"	+ 150	- 175	+ 120	- 150	+ 134	- 150	+ 120	- 150
42" X 66"	+ 150	- 175	+ 120	- 143	+ 134	- 150	+ 120	- 143
42" X 72"	+ 150	- 175	+ 120	- 138	+ 134	- 150	+ 120	- 138
42" X 78"	+ 150	- 175	+ 120	- 133	+ 134	- 150	+ 120	- 133
42" X 84"	+ 150	- 175	+ 120	- 130	+ 134	- 150	+ 120	- 130
42" X 90"	+ 150	- 175	+ 120	- 127	+ 134	- 150	+ 120	- 127
42" X 96"	+ 150	- 175	+ 120	- 125	+ 134	- 150	+ 120	- 125
42" X 102"	+ 150	- 175	+ 120	- 123	+ 134	- 150	+ 120	- 123
42" X 108"	+ 150	- 175	+ 120	- 121	+ 134	- 150	+ 120	- 121
42" X 114"	+ 150	- 175	+ 119	- 119	+ 134	- 150	+ 119	- 119
42" X 120"	+ 150	- 175	+ 118	- 118	+ 134	- 148	+ 118	- 118

Approved as representing, with this  
 name, the Building Code  
 Official, dated 10/26/05  
 10/26/05  
 Michael Deane, President  
 By: [Signature]

**WinDoor**  
 INCORPORATED  
 1978 STANPHONE WAY  
 DILLANDO, FL 32804  
 Phone: 407.622.4340  
 www.windoorinc.com

PREPARED BY: JVS  
 DATE: 10/26/05

PROJECT: N.I.T.S.  
 SHEET: WIND0075

REVISION: A  
 SHEET: 9 OF 10

Phone: 407.622.4344

*ESM*  
 5/11/06

Eric S. Nielsen  
 Florida P. E. No. 41323  
 Product Technology Corporation  
 5  
 Winter Park, Florida 32789  
 FREE Certificate of Authorization NO. 4681

SYN	REVISION	DATE	BY
1	SUBMITTAL PER LOCAL CODE UPDATE - 01/16/05	01/16/05	JVS

**Comparative Analysis Chart**  
**Series 1000 Aluminum Fixed Picture Window**  
**Small Missile Impact Units**

Window size in inches	Type "A" Calculated design pressure capacity in psf		Type "B" Calculated design pressure capacity in psf		Type "C" Calculated design pressure capacity in psf		Type "D" Calculated design pressure capacity in psf	
	Positive	Negative	Positive	Negative	Positive	Negative	Positive	Negative
48" X 36"	+ 150	- 175	+ 120	- 150	+ 134	- 150	+ 120	- 150
48" X 42"	+ 150	- 175	+ 120	- 150	+ 134	- 150	+ 120	- 150
48" X 48"	+ 150	- 175	+ 120	- 150	+ 134	- 150	+ 120	- 150
48" X 54"	+ 150	- 175	+ 120	- 150	+ 134	- 150	+ 120	- 150
48" X 60"	+ 150	- 175	+ 120	- 142	+ 134	- 150	+ 120	- 142
48" X 66"	+ 150	- 175	+ 120	- 134	+ 134	- 150	+ 120	- 134
48" X 72"	+ 150	- 175	+ 120	- 128	+ 134	- 150	+ 120	- 128
48" X 78"	+ 150	- 175	+ 120	- 123	+ 134	- 150	+ 120	- 123
48" X 84"	+ 150	- 175	+ 119	- 119	+ 134	- 150	+ 119	- 119
48" X 90"	+ 150	- 175	+ 116	- 116	+ 134	- 146	+ 116	- 116
48" X 96"	+ 150	- 175	+ 114	- 114	+ 134	- 142	+ 114	- 114
48" X 102"	+ 150	- 175	+ 111	- 111	+ 134	- 140	+ 111	- 111
48" X 108"	+ 150	- 175	+ 110	- 110	+ 134	- 137	+ 110	- 110
48" X 114"	+ 150	- 175	+ 108	- 108	+ 134	- 135	+ 108	- 108
48" X 120"	+ 150	- 175	+ 107	- 107	+ 134	- 134	+ 107	- 107
54" X 36"	+ 167	- 175	+ 100	- 150	+ 126	- 150	+ 100	- 150
54" X 42"	+ 167	- 175	+ 100	- 143	+ 126	- 150	+ 100	- 143
54" X 48"	+ 167	- 175	+ 100	- 137	+ 126	- 150	+ 100	- 137
54" X 54"	+ 167	- 175	+ 100	- 136	+ 126	- 150	+ 100	- 136
54" X 60"	+ 167	- 175	+ 100	- 123	+ 126	- 150	+ 100	- 123
54" X 66"	+ 167	- 175	+ 100	- 115	+ 126	- 150	+ 100	- 115
54" X 72"	+ 167	- 175	+ 100	- 108	+ 126	- 150	+ 100	- 108
54" X 78"	+ 167	- 175	+ 100	- 104	+ 126	- 147	+ 100	- 104
54" X 84"	+ 167	- 175	+ 100	- 100	+ 126	- 141	+ 100	- 100
54" X 90"	+ 167	- 175	+ 97	- 97	+ 126	- 137	+ 97	- 97
54" X 96"	+ 167	- 175	+ 94	- 94	+ 126	- 133	+ 94	- 94
60" X 36"	+ 167	- 175	+ 100	- 145	+ 126	- 150	+ 100	- 145
60" X 42"	+ 167	- 175	+ 100	- 134	+ 126	- 150	+ 100	- 134
60" X 48"	+ 167	- 175	+ 100	- 127	+ 126	- 150	+ 100	- 127
60" X 54"	+ 167	- 175	+ 100	- 123	+ 126	- 150	+ 100	- 123
60" X 60"	+ 167	- 175	+ 100	- 122	+ 126	- 150	+ 100	- 122
60" X 66"	+ 167	- 175	+ 100	- 112	+ 126	- 150	+ 100	- 112
60" X 72"	+ 167	- 175	+ 100	- 104	+ 126	- 148	+ 100	- 104
60" X 78"	+ 167	- 175	+ 99	- 99	+ 126	- 140	+ 99	- 99
60" X 84"	+ 167	- 175	+ 95	- 95	+ 126	- 134	+ 95	- 95
60" X 90"	+ 167	- 175	+ 91	- 91	+ 126	- 129	+ 91	- 91
60" X 96"	+ 167	- 175	+ 89	- 89	+ 126	- 126	+ 89	- 89

Approved as shown by the  
**Florida Building Code**  
**LOU BAKER**  
**PLUMBING**  
**EXPERIENCED PROFESSIONAL**  
**EX-1111**  
**10/26/05**

**WinDoor INCORPORATED**  
 1978 STANHOME WAY  
 ORLANDO, FL 32804  
 Phone: 407.481.6000  
 Fax: 407.481.6755  
 www.windoorinc.com

**Product Technology Corporation**  
 P.T.C.  
 407.622.6333  
 Fax: 407.622.6333

**COMPARATIVE ANALYSIS CHART**  
 TITLE: SERIES 1000 FIXED WINDOW SMALL MISSILE  
 DATE: 10/26/05  
 DRW: JVS  
 SCALE: N.T.S.  
 SHEET: WIND00075  
 REV: A  
 OF 10

*Eric S. Nielsen*  
 Eric S. Nielsen  
 Florida P. E. No. 41323  
 Product Technology Corporation  
 1150 Louisiana Ave., Suite 5  
 Winter Park, Florida 32789  
 FBPE Certificate of Authorization No. 6681

SYN	DATE	BY
1	07/18/05	EPH
2		
3		
4		
5		
6		
7		
8		
9		
10		
11		
12		
13		
14		
15		
16		
17		
18		
19		
20		
21		
22		
23		
24		
25		
26		
27		
28		
29		
30		
31		
32		
33		
34		
35		
36		
37		
38		
39		
40		
41		
42		
43		
44		
45		
46		
47		
48		
49		
50		
51		
52		
53		
54		
55		
56		
57		
58		
59		
60		
61		
62		
63		
64		
65		
66		
67		
68		
69		
70		
71		
72		
73		
74		
75		
76		
77		
78		
79		
80		
81		
82		
83		
84		
85		
86		
87		
88		
89		
90		
91		
92		
93		
94		
95		
96		
97		
98		
99		
100		